



# Phantom

Electronic Dartboard with Cabinet

---

Owner's Manual

**LIMITED-1 YEAR WARRANTY**

This Halex product is warranted to be free from defects in workmanship or materials at the time of purchase for a period of 1 (one) year.

Should any evidence of defects appear within the limited warranty period after the date of purchase, Regent Sports will either send replacement parts or advise another course of action. A list of replaceable parts can be found on the parts order page of this manual. Parts not listed on this order form are not replaceable. This warranty covers normal consumer use and does not cover failures, which result from alterations, accidents, misuse, abuse, or neglect.

For prompt warranty service and special offers, please register your Halex product by visiting our website at [www.regent-halex.com](http://www.regent-halex.com) or send in the warranty registration card provided. Please be sure to visit our website to order additional parts not covered under the warranty, as well as on-line instruction manuals and new product information.

A purchase receipt or other proof of date of purchase will be required before warranty service is performed. Requests for warranty service can be provided by e-mailing the Customer Service Department at [Csdartboards@regent-halex.com](mailto:Csdartboards@regent-halex.com) or by calling customer service at:

**877-516-9707 (Toll-Free)**

**10:30AM to 6:30 PM, EST.** (Dec. through Feb.)

**10:30 AM to 5:00 PM, EST.** (March through November)

Or send request in writing to:

**Regent Sports Corporation**  
45 Ranick Road  
Hauppauge, NY 11788  
Attn: Halex Customer Service

This warranty gives you specific legal rights and you may have other rights, which vary, from state to state.

## Unpacking the Game

Unpack your new dartboard carefully, making sure all parts are included. The following components are included in this set:

- 1 Electronic Dartboard
- 6 Darts (unassembled)
- Owner's Manual
- 1 Cabinet
- 2 Mounting Screws
- Display Stand (Unassembled)

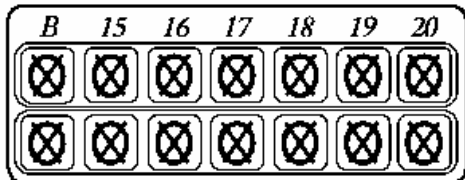
If you are missing a part or have any questions, please call our Customer Service Department between 10:30 am and 6:30 pm Eastern Standard Time at 877-516-9707 (Toll Free),

**This dartboard may have a protective film over the scoring display. Film should be removed for better clarity.**

### ***Electro-light Cricket Scoring Display***

This dartboard utilizes a dedicated cricket scoreboard within the scoring display that keeps track of each player's segment status when playing Cricket. When Cricket is selected, individual characters will be utilized to register marks. There are 3 separate lights within each number (15 through 20 and bulls eye). During play, one of the status lights will turn on (black will appear) as a segment is hit. If a double or triple of an active number is hit, 2 or 3 lights will turn on respectively.

The high visibility Electro-light display improves your ability to see scores from the dart throwing line. The electro-light display automatically is in use when the dartboard is turned on. To deactivate the electro-light, press and hold the sound button for 5-6 seconds. Press and hold the sound button again to reactivate the electro-light display.



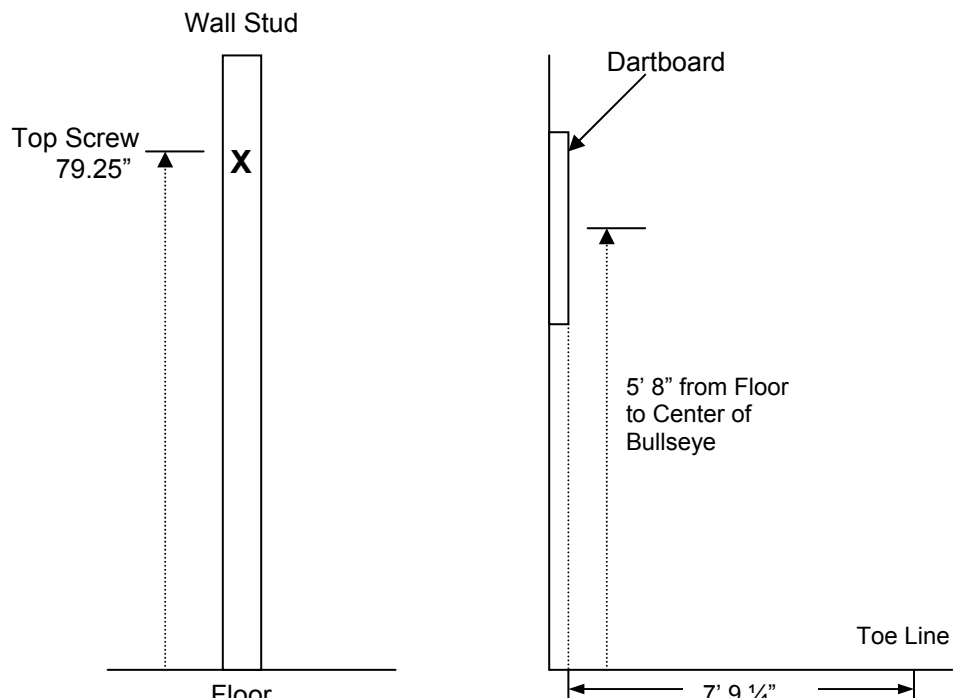
**Setup / Mounting Instructions**

**Your Phantom Electronic Dartboard requires batteries in both the dartboard and the remote scoring display.**

The dartboard requires 3 “AA” Batteries. Please insert the 3 “AA” batteries into the back of the dartboard first before mounting the dartboard to the wall or cabinet. The remote scoring display requires 4 “AA” batteries

Choose a location to hang the dartboard where there is about 10 feet of open space in front of the board. The “toe-line” should be 7’ 9 1/4” from the face of the dartboard. Your dartboard includes a display stand. (Unassembled) After assembling the stand, it is recommended to place the display stand 7’9 1/4” from the dartboard. Place the stand just to the side of your throwing path so that it does not impede your stance when throwing darts. Place the remote display on top of the stand. Further details for proper setup are explained in the “Remote scoring display” section of the manual.

Locate a wall stud and place a mark 79.25” from the floor. This will be your guide for the first mounting screw. Place another mark directly 16 inches across from that mark. Insert mounting screws in the center of the wall studs using the marks you made. For extra support, 4 screws can be inserted through the catch ring area into the wall. **Center of Bulls-eye should be 5’ 8” from the floor.**



## Dartboard Functions

**RESET button** - Cancels current score and returns to start of game.

**POWER button** - Press to turn game on or off. Dartboard has an automatic suspend mode to conserve power and battery life (if using batteries). The dartboard will make sound effect and display "SLEEP" on the display after approximately 3 minutes of non-use. However, the scores are stored in memory and can be restored by pressing any button.

**SOUND button** - Press to change volume to high, low, or off.

**PLAYER/PAGE/SCORE button** - This button is used at the start of each game to select the number of players you want to play the game. In addition, this button allows players to see other player scores of not on active display. This dartboard keeps track of up to 4 player scoring or 4 two-person teams. When playing with more than 2 players, some scores will be not be visible when not active. This button allows you to page through all players' scores as needed.

**DOUBLE/MISS button** - This button is used to activate the Double In/Double Out option for the "01" games. This function is only active when selecting 301, 401, etc. games. Press the **MISS** button if you wish to register a dart that misses the target area.

**BOUNCE OUT button** - Decide before play if you want to count darts that do not remain in board ("bounce-outs") or not. If not, simply press the **BOUNCE OUT** button immediately after a bounce out occurs to deduct the score that registers.

**START button** - This multi-function button is used to:

- **START** the game when all options have been selected.
- **CHANGE** to the next player when one player is finished with his round.  
This will put dartboard in **HOLD** status between rounds to allow player to remove darts from the target area.

**GAME buttons** - Press to page through the on-screen game menu.

**TRASH TALK button** – Press to activate different levels of interactive sound effects

## Display Protective Film

This electronic dartboard may have a clear film over the entire display area to prevent scratching during shipping. It is recommended that this film be removed before play to enhance the display area visibility. To remove, simply lift edge, peel off, and discard.



## **Caring for your Electronic Dartboard**

**Do not use excessive force when throwing darts.** Throwing darts too hard will cause frequent tip breakage and cause excess wear on the board.

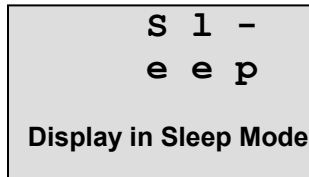
**Turn darts clockwise as you pull them from the board.** This makes it easier to remove darts and extends the life of the tips.

**Remove the batteries when not in use for prolonged periods of time**

**Do not spill liquids on the dartboard.** Do not use spray cleaners, or cleaners that contain ammonia or other harsh chemicals as they may cause damage.

## **Automatic Suspend Mode Feature**

The dartboard will automatically suspend if no action occurs within approximately three minutes. This is designed to save power or battery life. A sound effect will play and the display will indicate "SLEEP" (see below). All scores will be stored in memory and play will resume when **any** button is pressed.



## **CyberMatch Feature**

This exciting feature allows solo player to play against the computer at one of five different levels of skill – only 1 player can compete against the CyberMatch competitor. This adds a level of competition to normally routine practice sessions.

### **To activate the CyberMatch opponent:**

1. Select the Game you wish to play
2. Press **CYBERMATCH** button  
Select CyberMatch opponent skill level by pressing the **CYBERMATCH** button continually

#### **CyberMatch Levels**

Level 1	Professional
Level 2	Advanced
Level 3	Intermediate
Level 4	Novice
Level 5	Beginner

3. Press **START** to begin play

#### **When play begins:**

The 'human' player throws first. After 3 darts are thrown, go to the board to take darts out and press **START** to change to the next player (CyberMatch). Watch as the CyberMatch opponent's dart scores are registered on the display. After the CyberMatch opponent completes his round, the board will **automatically reset** for the "human" player. Play continues until one player wins. **Good luck!**

# **BristleTech™**

**Playable with Soft Tip or Steel Tip Darts**

This dart board utilizes the Halex exclusive state of the art BristleTech target playing surface. BristleTech dartboards allow for both Soft tip and Steel tip dart play. Traditional steel tip dart play combined with the modern convenience of electronic scoring gives you the best of both worlds! The electronic scoring BristleTech playing surface plays and feels just like the natural sisal bristle dartboard.

BristleTech dartboards will provide years of durability and enjoyment as well. The synthetic fiber targets are not susceptible to moisture, humidity and volatile temperature conditions. BristleTech dartboards will not give off potent odors or dry out as sisal bristle dartboards can.

BristleTech dartboards are also a great choice for Soft tip dart players. The BristleTech playing surface provides a smooth quiet dart playing experience- The way the sport was meant to be played! No longer will you experience unpleasant crashing sounds from darts making impact on plastic targets. Additionally, there are no small holes in the BristleTech playing surface. Darts have the maximum amount of surface area to strike upon. This minimizes the chances of deflections and bounce outs.

**Please use very special caution when playing with darts (especially steel tip darts.) The steel tip points are sharp and can cause harm. Dart play should always be monitored under close adult supervision.**

## **TRASH TALK - Interactive Game Play Options**

Your electronic dartboard includes an exciting interactive “trash talking” feature that emits rewarding comments of praise for high scoring darts and trash talking insults for poorly thrown darts. The humorous interactive comments are sure to add plenty of fun and excitement to your dart game.

There are four levels to choose from to control how frequent you will hear these interactive sound effects:

### **FREQUENCY LEVELS**

**Level 4: Every throw - All throws will include an interactive sound effect**

**Level 3: Frequently - Frequent interactive sound effects**

**Level 2: Occasional - Occasional interactive sound effects**

**Level 1: OFF - Turns OFF the interactive Trash Talk sounds**

The default setting when the dartboard is turned on is Level 4 (Every Throw) Players do have the ability to change the frequency level while a game is in process. Simply press the **Trash Talk** button to change the frequency level.

**IMPORTANT!** The interactive TRASH TALK feature can only be used with standard games of Cricket and '01 (301,501 etc)

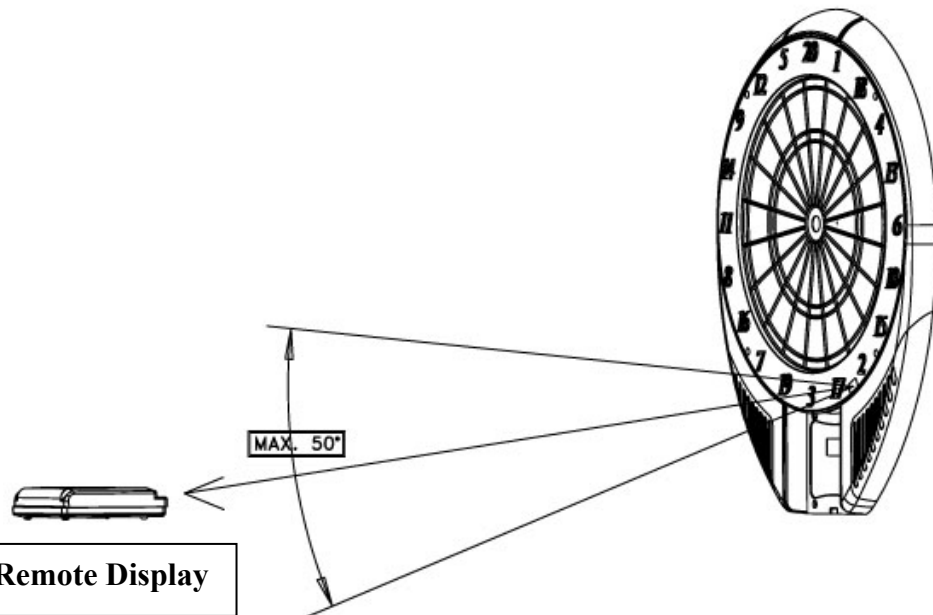
Have fun and .....Don't Choke!!

## Wireless Remote Scoring Display

The **Phantom dartboard** features a wireless remote scoring display that brings electronic scoring right to the “toe-line”. Toe-line scoring allows the dart player to see electronic scores up close and personal. No longer do you have to walk up to the dartboard every time in between dart throws to check your cricket marks or opponent’s points. Toe-line scoring also keeps the electronic display safe and away from incoming darts! **To remove the remote display, lift from the bottom of the display and pull out to remove. When finished, simply slide the display back into the dartboard. You have the option not to use the wireless scoring feature. The display can remain inside the dartboard and be played like a regular electronic dartboard.**

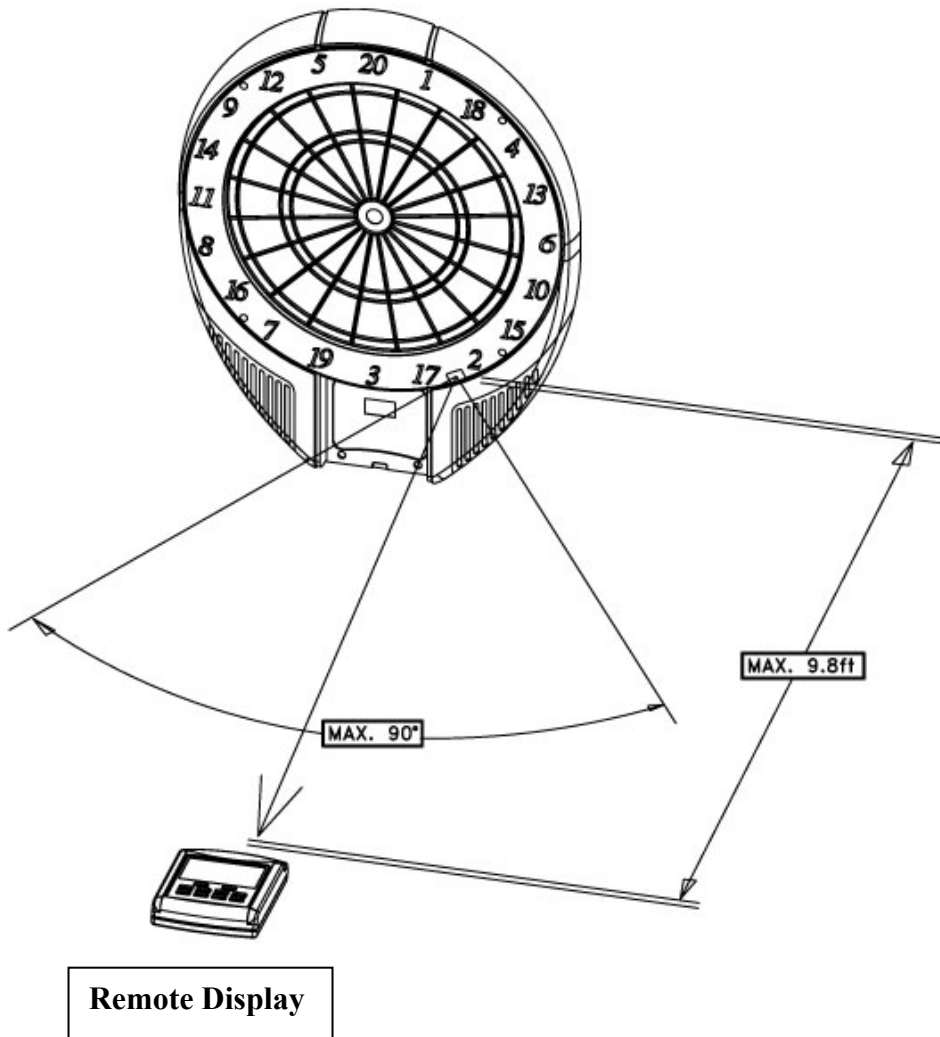
The wireless remote display can be used up to 9 1/2 feet away from the dartboard. There are infra red sensors located on the front of the dartboard and on the remote scoring display. The infra red sensors direct the signal of the dart board to your remote display as illustrated below.

The remote scoring display’s height position is limited to a maximum of 25 degrees above and below the infra red sensors located on the dartboard. Placing the display on an average height table or directly on the display stand is recommended. Placing the display below or above the limited range will not register scores. Be sure to first test your display’s location is working properly before game play starts. Simply start up a game and then press the target segments to make sure the display is within the acceptable range. (Also be sure nobody is standing in the signal path between the display and the dartboard when testing)



### Wireless Remote Scoring Display – Continued

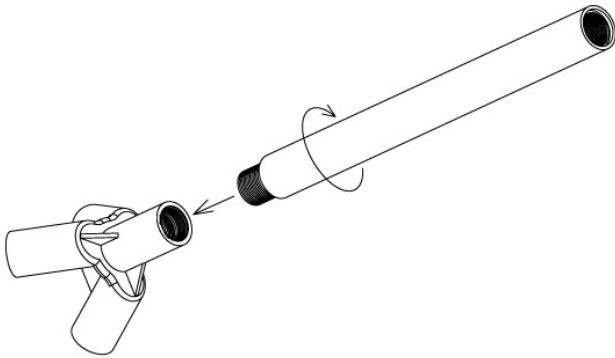
The remote scoring display can be moved to both sides of the dartboard but cannot exceed a 45 degree angle to each side. This allows spectators to control the scoring on the sides of the dartboard without getting in the way of the dart match. The display can be held by a spectator, put on a table top, or right into the included display stand for convenience. Try to keep the remote display facing the dartboard for best results.



## Display Stand Assembly for Scoring Remote

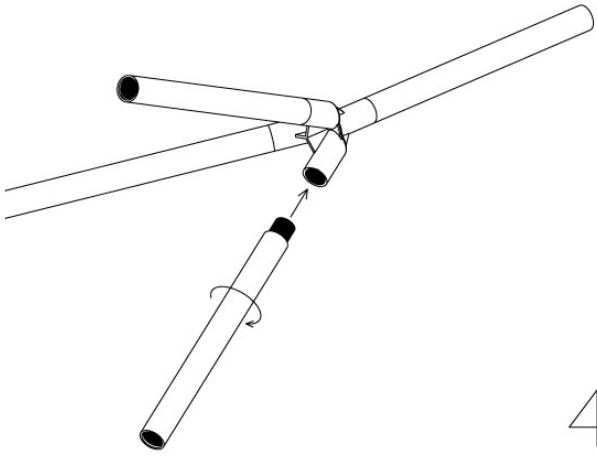
Your Electronic dartboard comes equipped with a display stand for your wireless remote. (Unassembled) The display stand can store up to 6 darts and is the most convenient place for your remote scoring display. **The battery compartment located in the display tray is not intended for use with this dartboard.** Batteries should be inserted into the dartboard and the remote scoring display only.

**Please follow these instructions to build the display stand:**



1

1. **Connect tube to single feed of the 3 prong connector.  
Turn clockwise to tighten tubes together**



4

**Steps 2-4 Connect tubes to remaining 3 feeds in the 3 prong connector**

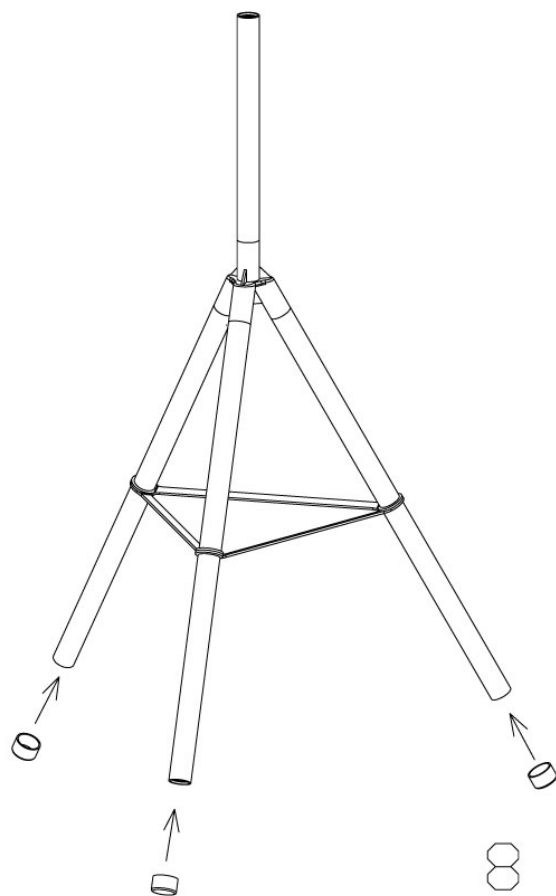


5

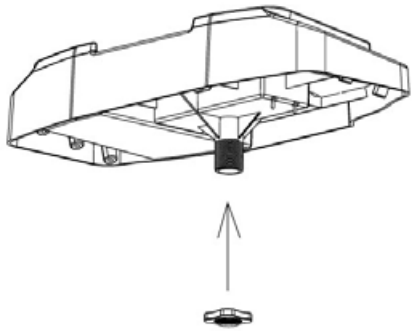
**Step 5 Place cross braces around the top thread of each tube and then connect to the three tubes that were just assembled in the prior step.**



**Step 6 & 7 Continue to attach each cross brace and leg until all three are attached.**



**Step 8** After all 3 legs are attached, place the end caps on to the bottom of the legs for stability.



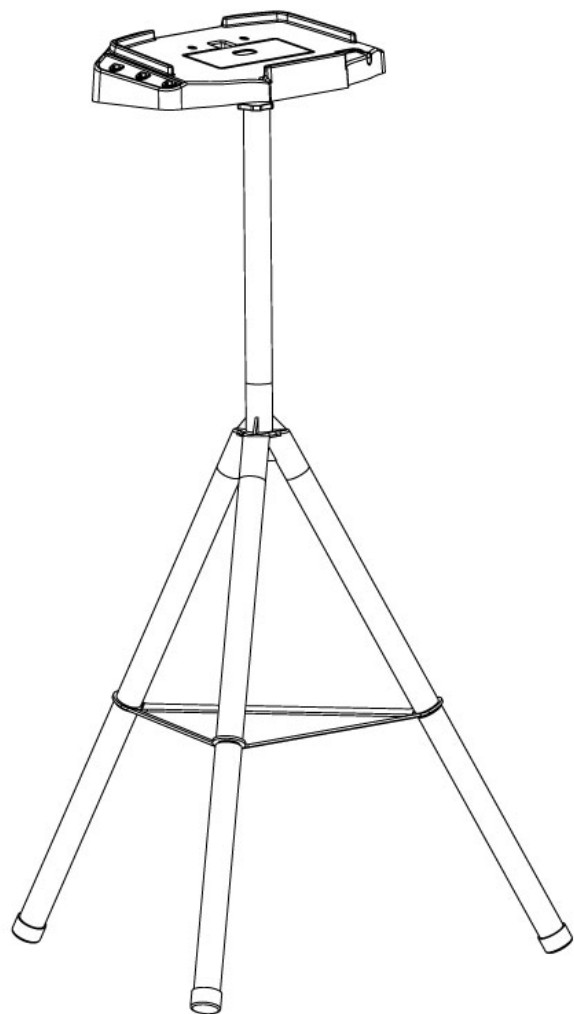
9

**Step 9** Next attach the washer to the tube thread of the display tray



10

**Step 10** Connect the display tray to the single feed of the display stand.



11

**Stand is Complete!**

## ***Game Rules***

Your Halex electronic dartboard is loaded with games and options. The rules for each game are detailed below in the order they appear on the scoring display when paging through the games. The game number is indicated next to each game for your reference.

### **301** (G01)

This popular tournament and pub game is played by subtracting each dart from the starting number (**301**) until the player reaches exactly 0 (zero). If a player goes past zero it is considered a “*Bus!*” and the score returns to where it was at the start of that round. For example, if a player needs a 32 to finish the game and he/she hits a 20, 8, and 10 (totals 38), the score goes back to 32 for the next round.

In playing the game, the double in / double out option can be chosen (double out is the most widely used option).

- **Double In** - A double must be hit before points are subtracted from the total. In other words, a player’s scoring does not begin until a double is hit.
- **Double Out** - A double must be hit to end the game. This means that an even number is necessary to finish the game.
- **Double In and Double Out** - A double is required to start and end scoring of the game by each player.

**401** (G02) Starting number 401

**701** (G05) Starting number 701

**501** (G03) Starting number 501

**801** (G06) Starting number 801

**601** (G04) Starting number 601

**901** (G07) Starting number 901

### **CRICKET** (G08)

Cricket is a strategic game for accomplished players and beginners alike. Players throw for numbers best suited for them and can force opponents to throw for numbers not as suitable for them. The object of Cricket is to “close” all of the appropriate numbers before one’s opponent while racking up the highest number of points.

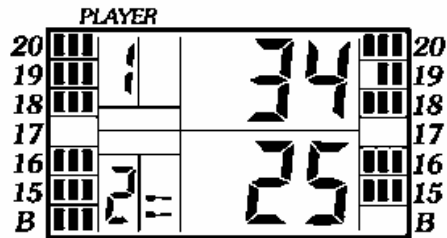
**Only the numbers 15 through 20 and the inner/outer bullseye are used.** Each player must hit a number 3 times to “open” that segment for scoring (Refer to Tournament Cricket Scoring section for explanation on how players’ marks are registered). A player is then awarded the number of points of the “open” segment each time he/she throws a dart that lands in that segment, provided their opponent has not closed that segment. Hitting the double ring counts as two hits, and the triple ring counts as 3 hits.

Numbers can be opened or closed in any order. A number is “closed” when the other player(s) hit the open segment 3 times. Once a number has been “closed”, any player for the remainder of the game can no longer score on it.

*Winning* - The side closing all the numbers first and accumulating the highest point total is the winner. If a player “closes” all numbers first but is behind in points, he/she must continue to score on the “open” numbers. If the player does not make up the point deficit before the opposing player(s) “closes” all the numbers, the opposing side wins. Play continues until all segments are closed - the winner is the player with the highest score.

***Cricket Scoring Display***

This dartboard utilizes a dedicated scoreboard within the scoring display that keeps track of each player’s segment status when playing Cricket. When Cricket is selected, individual characters will be utilized to register marks. There are 3 separate lights within each number (15 through 20 and bullseye). During play, one of the status lights will turn on (black will appear) as a segment is hit. If a double or triple of an active number is hit, 2 or 3 lights will turn on respectively.



**NO-SCORE CRICKET** (G09) (*Press SELECT button when Cricket is displayed*)

Same rules as standard Cricket except there is no point scoring. The object of this version is to be the first to simply “close” all the appropriate numbers (15 through 20 and the bullseye).

**SCRAM** (G10) (*For 2 players only*)

This game is a variation of Cricket. The game consists of two rounds. The players have a different objective in each round. In round 1, player 1 tries to “close” (score 3 hits in each segment - 15 to 20 and bullseye). During this time, player 2 attempts to rack up as many points in the segments that the other player has not yet closed. Once player 1 has closed all segments, round 1 is complete. In round 2, each player’s roles are reversed. Now, player 2 tries to close all the segments while player 1 goes for points.

The game is over when round 2 is complete (player 2 closes all segments). The player with the highest point total is the winner.

**CUT-THROAT CRICKET** (G11)

Same basic rules as standard Cricket except once scoring begins, points are added to your opponent(s) total. The object of this game is to end up with the fewest points. This variation of Cricket offers a different psychology to the players. Rather than adding to your own score and helping your own cause as in standard Cricket, Cut-Throat offers the benefit of racking up points for your opponent(s), digging him in a deeper hole. Competitive players will love this variation!

**COUNT-UP 300** (G12)

The object of this game is to be the first player to reach the specified point total (300). Point total is specified when the game is selected. Each player attempts to score as many points as possible per round. Doubles and triples count 2 or 3 times the numerical value of each segment. For example a dart that lands in the triple 20 segment is scored as 60 points. The cumulative scores for each player will be displayed in the LCD display as the game progresses. ***Additional variations of this game are detailed below. The rules are the same except the point total varies as indicated in the number.***

**COUNT-UP 400** (G13)**COUNT-UP 500** (G14)**COUNT-UP 600** (G15)**COUNT-UP 700** (G16)**COUNT-UP 800** (G17)**COUNT-UP 900** (G18)**COUNT-UP 999** (G19)**High Score - 3 Rounds** (G20)

The rules for this competitive game are simple - Rack up the most points in three rounds (nine darts) to win. Doubles and triples count as 2x and 3x that segment's score respectively. ***Additional variations of this game are detailed below. The rules are the same except the number of rounds varies as indicated in the number.***

**High Score - 4 Rounds** (G21)**High Score - 5 Rounds** (G22)**High Score - 6 Rounds** (G23)**High Score - 7 Rounds** (G24)**High Score - 8 Rounds** (G25)**High Score - 9 Rounds** (G26)**High Score - 10 Rounds** (G27)**High Score - 11 Rounds** (G28)**High Score - 12 Rounds** (G29)**High Score - 13 Rounds** (G30)**High Score - 14 Rounds** (G31)**ROUND-THE-CLOCK – r1 singles** (G32)

Each player attempts to score in each number from 1 through 20 and bullseye **in order**. Each player throws 3 darts per turn. If a correct number is hit, he/she tries for the next number in sequence. The first player to reach 20 is the winner.

The display will indicate which segment you are shooting for. A player must continue shooting for a segment until it is hit. The display will then indicate the next segment you should shoot for.

There are many difficulty settings available for this game. Each game has the same rules, the differences are detailed as follows:

**ROUND-THE-CLOCK 5 (G33)** - Game starts at segment number 5

**ROUND-THE-CLOCK 10 (G34)** - Game starts at segment number 10

**ROUND-THE-CLOCK 15 (G35)**- Game starts at segment number 15

Since this game does not utilize point scoring, the double and triple rings count as single numbers.

***We have added some additional levels of difficulty to this game for those looking for a real challenge!***

**ROUND-THE-CLOCK Double (G36)**- Player must score a **Double** in each segment from 1 through 20 in order.

**ROUND-THE-CLOCK Double 5 (G37)** - Game starts at double segment 5

**ROUND-THE-CLOCK Double 10 (G38)** - Game starts at double segment 10

**ROUND-THE-CLOCK Double 15 (G39)** - Game starts at double segment 15

**ROUND-THE-CLOCK Triple (G40)**- Player must score a **Triple** in each segment from 1 through 20 in order.

**ROUND-THE-CLOCK Triple 5 (G41)** - Game starts at triple segment 5

**ROUND-THE-CLOCK Triple 10 (G42)** - Game starts at triple segment 10

**ROUND-THE-CLOCK Triple 15 (G43)** - Game starts at triple segment 15

### **KILLER** (G44)

This game will really show who your friends are. The game can be played with as few as two players, but the excitement and challenge builds with even more players. To start, each player must select his number by throwing a dart at the target area. The LCD display will indicate "SEL" at this point. The number each player gets is his assigned number throughout the game. No two players can have the same number. Once each player has a number, the action starts.

Your first objective is to establish yourself as a "Killer" by hitting the double segment of your number. Once your double is hit, you are a "Killer" for the rest of the game. Now, your objective is to "kill" your opponents by hitting their segment number until all their "lives" are lost. The last player to remain with lives is declared the winner. It is not uncommon for players to "team up" and go after the better player to knock him out of the game.

### **DOUBLE DOWN** (G45)

## Halex Phantom Electronic Dartboard 23

Each player starts the game with 40 points. The object is to score as many hits in the active segment of the current round. The first round, the player must throw for the 15 segment. If no 15's are hit, his score is cut in half. If some 15's are hit, each 15 (doubles and triples count) is added to the starting total. The next round players throw for the 16

segment and hits are added to the new cumulative point total. Again, if no hits are registered, the point total is cut in half.

Each player throws for the numbers as indicated in the chart below in order (the LCD screen will indicate the active segment in which to throw). The player who completes the game with the most points is the winner.

	15	16	D	17	18	T	19	20	B	TOTAL
Player 1										
Player 2			↑			↑				

Any Double

Any Triple

## DOUBLE DOWN 41 (G46)

This game follows similar rules as standard Double Down as described above with two exceptions. First, instead of going from 15 through 20 and bullseye, the sequence is reversed which will be indicated on the LCD display. Second, an additional round is included toward the end in which players must attempt to score three hits that add up to 41 points (20, 20, 1; 19, 19, 3; D10, D10, 1: etc.). This "41" round adds an extra level of difficulty to the game. Remember, a player's score is cut in half if not successful, so the "41" round presents quite a challenge!

	20	19	D	18	17	T	16	15	41	B	TOTAL
Player 1											
Player 2			↑			↑			↑		

Any Double

Any Triple

'41' Round

## ALL FIVES - 51 (G47)

The entire board is in-play for this game (all segments are active). With each round (of 3 darts) each player has to score a total which is divisible by 5. Every "five" counts as one point. For example 10, 10, 5 = 25. Since 25 is divisible by 5 fives, this player scores 5 points (5 x 5 = 25).

If a player throws 3 darts that are not divisible by 5, no points are given. Also, the last dart of each round must land in a segment. If a player throws the third dart and it lands in the catch ring area (or misses the board completely), he earns no points even if the first two

## Halex Phantom Electronic Dartboard 24

darts are divisible by 5. This prevents a player from “tanking” the third throw if his first two are good. The first player to total fifty-one (51) “fives” is the winner. The LCD screen will keep track of the point totals. ***Additional variations of this game are detailed below. The rules are the same except the total needed to win varies as indicated in the number following the game.***

**ALL FIVES - 61** (G48)

**ALL FIVES - 71** (G49)

**ALL FIVES - 81** (G50)

**ALL FIVES - 91** (G51)

## **SHANGHAI - 1** (G52)

Each player must progress around the board from 1 through 20 in order. Players start at number 1 and throw 3 darts. The object is to score the most points possible in each round of 3 darts. Doubles and triples count toward your score. The player with the highest score after completing all twenty segments is the winner. ***Additional variations of this game are detailed below. The rules are the same except the starting segment varies as indicated in the number following the game.***

**SHANGHAI 5 (G53)** - Game starts at segment 5

**SHANGHAI 10 (G54)** - Game starts at segment 10

**SHANGHAI 15 (G55)** - Game starts at segment 15

## **GOLF – 9 Holes** (G56)

This is a dartboard simulation of the game golf (but you don’t need clubs to play). The object is to complete a round of 9 through 18 “holes” with the lowest score possible. The Championship “course” consists of all par 3 holes making par 27 for a nine hole round or 54 for a round of 18.

The segments 1 through 18 are used with each number representing a “hole.” You must score 3 hits in each hole to move to the next hole. Obviously, double and triples affect your score as they allow you to finish a hole with fewer strokes. For example, throwing a triple on the first shot of a hole it is counted as an “eagle” and that player gets a completes that hole with 1 “stroke.”

Note: The active player continues to throw darts until he “holes out” (scores 3 hits on the current hole). The voice announcer will indicate the player that is up - listen carefully to avoid shooting out of sequence. By the way, there are no “gimmes” in this game!

***Additional variations of this game are detailed below. The rules are the same except the number of holes needed to play.***

**GOLF – 18 Holes** (G57) – Same as above except play lasts 18 holes (rounds)

## **FOOTBALL** (G58)

Strap your helmet on for this game! The first thing necessary is to select each player’s “playing field.” Each player can do this by throwing a dart or by manually pressing a segment on the board. This is entirely up to you, but whichever segment is select

## Halex Phantom Electronic Dartboard

25

becomes your starting point which carries through the bullseye and directly across to the other side of the bullseye.

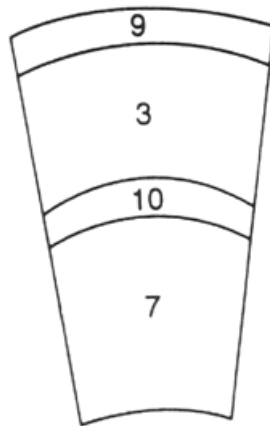
For example, if you select the 20 segment, you start on the double 20 (outer ring) and continue all the way through to the double 3. The "field" is made up of 11 individual segments and must be hit in order. So, keeping with the example above, you must throw darts in the following segments in this order:

Double 20 ... Outer Single 20 ... Triple 20 ... Inner Single 20 ...  
Outer Bullseye ... Inner Bullseye ... Outer Bullseye ... Inner Single 3 ...  
Triple 3 ... Outer Single 3 ... and finally a Double 3.

The First player to "score" is the winner. The LED display will keep track of your progress and indicate the segment you need to throw for next.

## **BOWLING** (G59)

This dartboard adaptation of bowling is a real challenge! It is a difficult game in that you must be very accurate to rack up a decent score. Player one starts the game. You must select your "alley" by either throwing dart or manually pressing segment of choice. Once alley is selected, you have 2 remaining darts to throw in which to score points or "pins." Each specific segment in your "alley" is worth a given pin total:



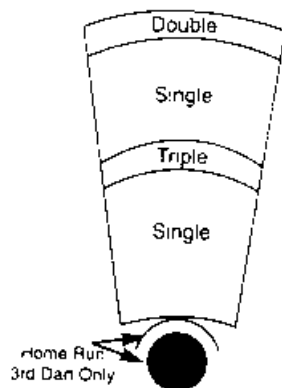
<u>Segment</u>	<u>Score</u>
Double	9 pins
Outer Single	3 pins
Triple	10 pins
Inner Single	7 pins

There are several rules for this game as follows:

1. A perfect game score would be 200 in this version of bowling
2. You cannot hit the same singles segment twice within the same "frame" (round). The second hit will count as zero points. **Hint:** Try to hit each single to reach 10 points in the frame.
3. You can score 20 points per "frame" by hitting the triple segment twice.
4. Hitting the double segment with your second dart will only count as 10 points if you scored a double on your first throw. Otherwise you will score a total of 9 points by throwing a double with your second dart.

**BASEBALL – 6 Innings** (G60)

This dartboard version of baseball takes a great deal of skill. As in the real game, a complete game consists of 9 innings. Each player throws 3 darts per “inning.” The field is laid out as shown in the diagram.



<b>Segment</b>	<b>Result</b>
Singles segments	“Single” - one base
Doubles segment	“Double” - two bases
Triples segment	“Triple” - Three bases
Bullseye	“Home Run” ( <i>can only be attempted on third dart of each round</i> )

The object of the game is to score as many runs as possible each inning. The player with the most runs at the end of the game is the winner.

**BASEBALL – 9 Innings** (G61) – Same as above except 9 innings (rounds).

**STEEPLECHASE** (G62)

The object of this game is to be the first player to finish the “race” by being the first to complete the “track.” The track starts at the 20 segment and runs clockwise around the board to the 5 segment and ends with a bullseye. Sounds easy right? What has not yet been specified is that you must hit the inner single segment of each number to get through the course. This is the area between the bullseye and the triples ring. And, as with a real steeplechase, there are obstacles throughout the course to hurdle. The four hurdles are found at the following places:

- 1<sup>st</sup> fence      Triple 13
- 2<sup>nd</sup> fence      Triple 17
- 3<sup>rd</sup> fence      Triple 8
- 4<sup>th</sup> fence      Triple 5

The first player to complete the course and hit the bullseye wins the race.

**SHOVE A PENNY** (G63)

Only the numbers 15 through 20 and the bullseye are used. Singles are worth 1 point, doubles are worth 2, and triples are worth 3 points. Each player must throw for the numbers in order with the objective of scoring 3 points in each segment to move on to the next. If a player scores more than 3 points in any one number, the excess points are given to the next player. The first player to score 3 points in all segments (15 - 20 and bull) is the winner.

**NINE-DART CENTURY** (G64)

The object of this game is to attempt to score 100 points, or come as close as possible, after 3 rounds (9 darts). Doubles and triples count as 2x and 3x their value respectively. Going over 100 points is considered a “bust” and causes you to lose unless all players go over. In that case, the player closest to 100 wins (player that scored the lowest amount over 100).

**GREEN VS. RED** (G65)

*(2 players only)*

This game is a race around the board, where skill at hitting doubles and triples pays off with victory. Player 1 is “green” and player 2 is “red.” Player 1 shoots for only doubles and triples that are green and works around the board clockwise. Player 2 starts at 20 and works around the board counter-clockwise, shooting for red segments (the temporary score display will indicate which segment to throw for). Note: a maximum of one double and one triple of the same number can be scored in a single round.

What’s more, hitting the wrong number (of your opponent’s color) **subtracts** that amount from your score - so be careful.

The player with the most points after completion of the game is the winner.

**Game Menu**

Game # Description

G01	301	G34	Round the clock r10 singles
G02	401	G35	Round the clock r15 singles
G03	501	G36	Round the clock 1 doubles
G04	601	G37	Round the clock 5 doubles
G05	701	G38	Round the clock 10 doubles
G06	801	G39	Round the clock 15 doubles
G07	901	G40	Round the clock 1 triples
G08	Cricket	G41	Round the clock 5 triples
G09	No-score cricket	G42	Round the clock 10 triples
G10	Scram	G43	Round the clock 15 triples
G11	Cut throat cricket	G44	Killer
G12	Count up 300	G45	Double down
G13	Count up 400	G46	Double down 41
G14	Count up 500	G47	All fives 51
G15	Count up 600	G48	All fives 61
G16	Count up 700	G49	All fives 71
G17	Count up 800	G50	All fives 81
G18	Count up 900	G51	All fives 91
G19	Count up 999	G52	Shanghai 1
G20	Hi Score (3 rounds)	G53	Shanghai 5
G21	Hi Score (4 rounds)	G54	Shanghai 10
G22	Hi Score (5 rounds)	G55	Shanghai 15
G23	Hi Score (6 rounds)	G56	Golf-9 holes
G24	Hi Score (7 rounds)	G57	Golf-18 holes
G25	Hi Score (8 rounds)	G58	Football
G26	Hi Score (9 rounds)	G59	Bowling
G27	Hi Score (10 rounds)	G60	Baseball-6 inning
G28	Hi Score (11 rounds)	G61	Baseball-9 inning
G29	Hi Score (12 rounds)	G62	Steeplechase
G30	Hi Score (13 rounds)	G63	Shove a penny
G31	Hi Score (14 rounds)	G64	Nine dart century
G32	Round the clock r1 S	G65	Green vs Red
G33	Round the clock r5 S		

## **Important Notes**

### ***Darts***

It is recommended that you do not use darts that exceed 26 grams on this dartboard. The darts included with this dartboard are 10 grams. Replacement tips are available at most retailers carrying dart products.

Look for Halex soft tip dart accessories for all your electronic dart needs.

## **Cleaning your Electronic Dartboard**

Your Halex electronic dartboard will provide many hours of competition if cared for properly. Regular dusting of the cabinet is recommended using a damp cloth. A mild detergent can be used if necessary. The use of abrasive cleaners or cleaners that contain ammonia may cause damage and should not be used. Avoid spilling liquid onto the target area since it can result in permanent damage and is not covered by the warranty.

**ACCESSORIES / SPARE PARTS**

<b><u>Item #</u></b>	<b><u>Description</u></b>	<b><u>Price</u></b>
100-64675	12 darts with replacement Tips	\$ 12.95
68950	Aluminum Shafts (3 pack)	\$ 4.50
68900	Polyester Shafts (3 pack)	\$ 3.50
68835	Deluxe Soft Tip Accessory Kit	\$12.95
68670	Metallic Flights (3 pack). Assorted Styles	\$ 3.95
100-64490	Replacement dart set 12 darts (6 soft. 6 steel)	\$ 14.95

*Prices include shipping and handling.*

**To place order:*****MasterCard/Visa***

Call Halex Customer Service Line at 877-516-9707 (Toll Free) and specify item number. Have your credit card number ready when you place call. Or you can place your order on our website at [www.regent-halex.com](http://www.regent-halex.com)

***Mail***

Make check or money order payable to: **Regent Sports Corporation** and send to the following address:

45 Ranick Road  
Hauppauge, NY 11788  
Attn: Customer Service

*Please do not send cash. Be sure to indicate item # on check.*



Also, be sure to check out our web site at:

**[www.regent-halex.com](http://www.regent-halex.com)**

- Parts ordering
- Product Registration
- Product Information

© 2005  
Regent Sports Corporation  
Hauppauge, New York 11788