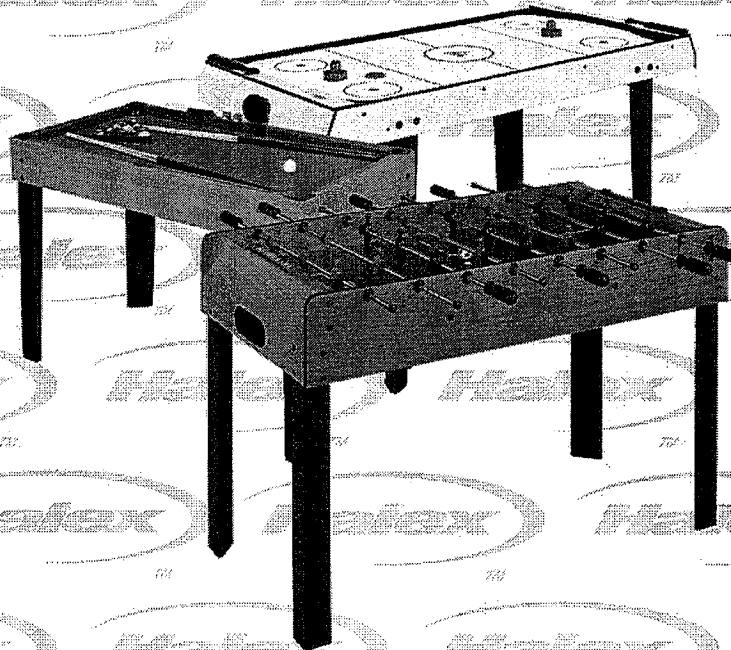


TABLE
Games

Assembly instructions



63563

Halex

TM

LIMITED 90 DAY WARRANTY

This Halex product is warranted to be free from defects in workmanship or materials at the time of purchase for a period of 90 (ninety) days. Certain restrictions apply (see below).

Should any evidence of defects appear within the limited warranty period after the date of purchase, Regent Sports will either send replacement parts or advise of another course of action. A list of replaceable parts can be found on the parts order form page of this manual. Parts not listed on this order form are not replaceable. **Table tops, playing surfaces, and main frames are not replaceable.** This warranty covers normal consumer use and does not cover failures, which result from alterations, accidents, misuse, abuse, or neglect.

For prompt warranty service and special offers, please register your Halex product at our customer service center by visiting our website at: www.regent-halex.com. Enter the following unique registration number followed by the item number of your table found on the cover of this manual: 1ZAK7 _____. You can also register your product on our automated voice recognition system at the toll free number below. You must register your product within 30 days of purchase to be eligible for warranty service. Please make sure to visit our website to order additional parts not covered under the warranty, as well as on-line instruction manuals and new product information. You may also order parts by calling our automated voice recognition system.

A purchase receipt or other proof of date of purchase will be required before warranty service is performed. Requests for warranty service can be provided by e-mailing the customer service department at cstables@regent-halex.com or by calling customer service at:

877-516-9707 (Toll Free)

10:00 AM to 6:00 PM, EST. (Dec. through Jan.)

10:00 AM to 5:00 PM, EST. (Feb. through Nov.)


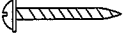

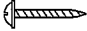
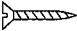
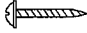


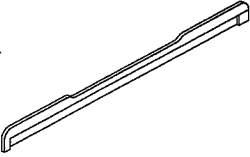
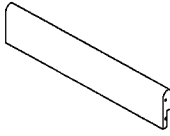
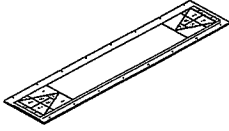
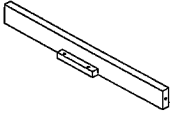

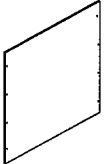
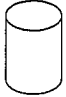
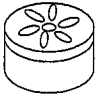

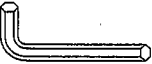
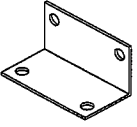
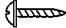
Or send request in writing to:

Regent Sports Corporation
45 Ranick Road
Hauppauge, NY 11788
Attn: Halex Customer Service

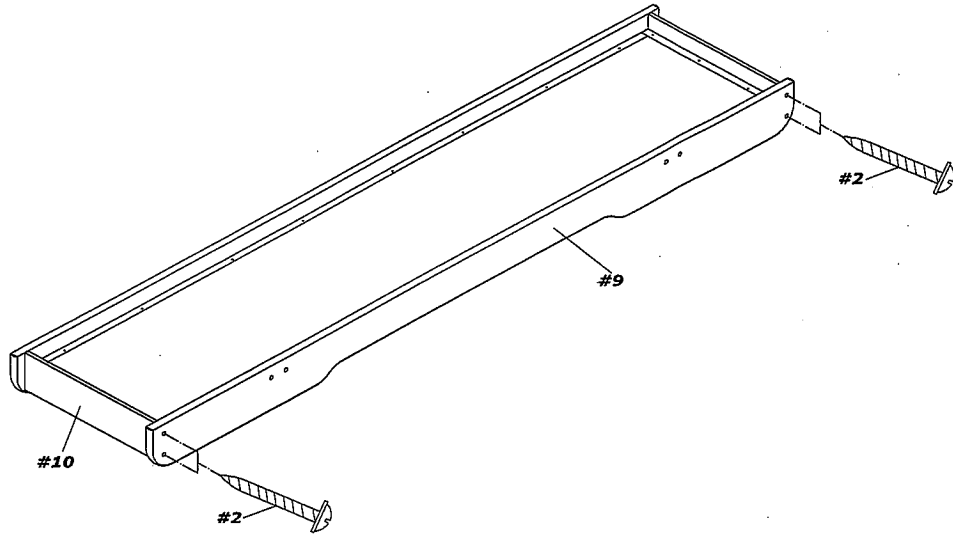
This warranty gives you specific legal rights and you may have other rights that vary from state to state.

PARTS LIST FOR 63563

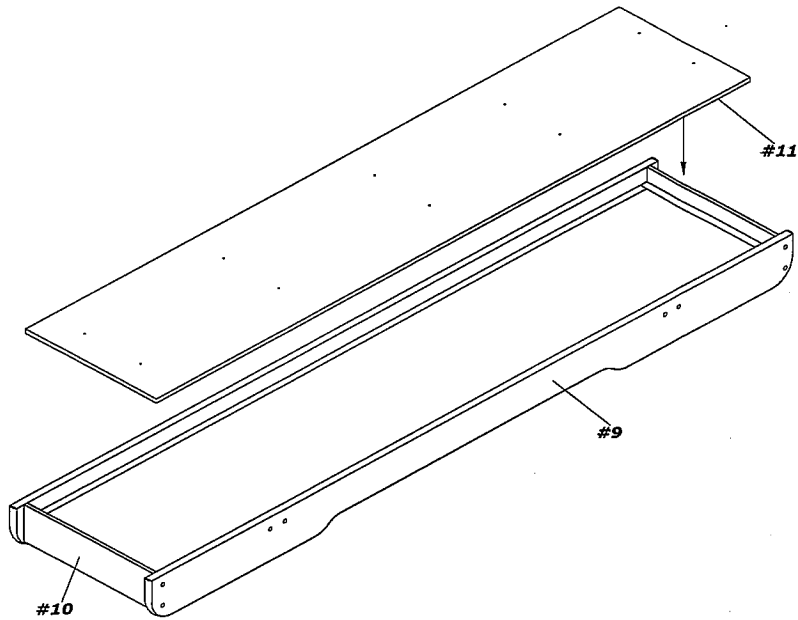
(ASSEMBLY PARTS)

<p>#1</p>  <p>M6X32MM Bolt 8 pieces</p>	<p>#2</p>  <p>4.5X60MM Washer Head Screw 8 pieces</p>	<p>#3</p>  <p>18MM Washer 8 pieces</p>	<p>#4</p>  <p>4X45MM Washer Head Screw 16 pieces</p>
<p>#5</p>  <p>3.5X18MM Flat Head Screw 8 pieces</p>	<p>#6</p>  <p>3.5X30MM Washer Head Screw 32 pieces</p>	<p>#7</p>  <p>Slide Scorer 4 pieces</p>	<p>#8</p>  <p>Leg Leveler 4 pieces</p>
<p>#9</p>  <p>Side Panel 2 pieces</p>	<p>#10</p>  <p>End Panel 2 pieces</p>	<p>#11</p>  <p>Playing Field 1 piece</p>	<p>#12</p>  <p>Support Panel 4 pieces</p>
<p>#13</p>  <p>Leg 4 pieces</p>	<p>#14</p>  <p>Leg Panel 4 pieces</p>	<p>#15</p>  <p>Shuffleboard Dust 1can</p>	<p>#16</p>  <p>Blue shuffleboard Puck 4 pieces</p>
<p>#17</p>  <p>Red shuffleboard Puck 4 pieces</p>	<p>#18</p>  <p>Allen Tool 1 piece</p>	<p>#19</p>  <p>Bracket 8 pieces</p>	<p>#20</p>  <p>4X13MM Washer Head Screw 32 pieces</p>

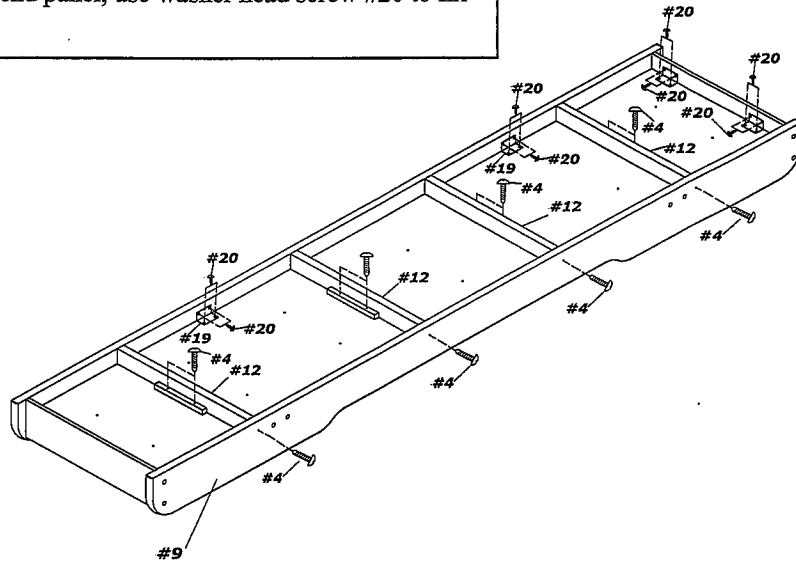
Step 1- Assemble Main Frame. Attach side panels #9 to end panels #10 using screws #2.



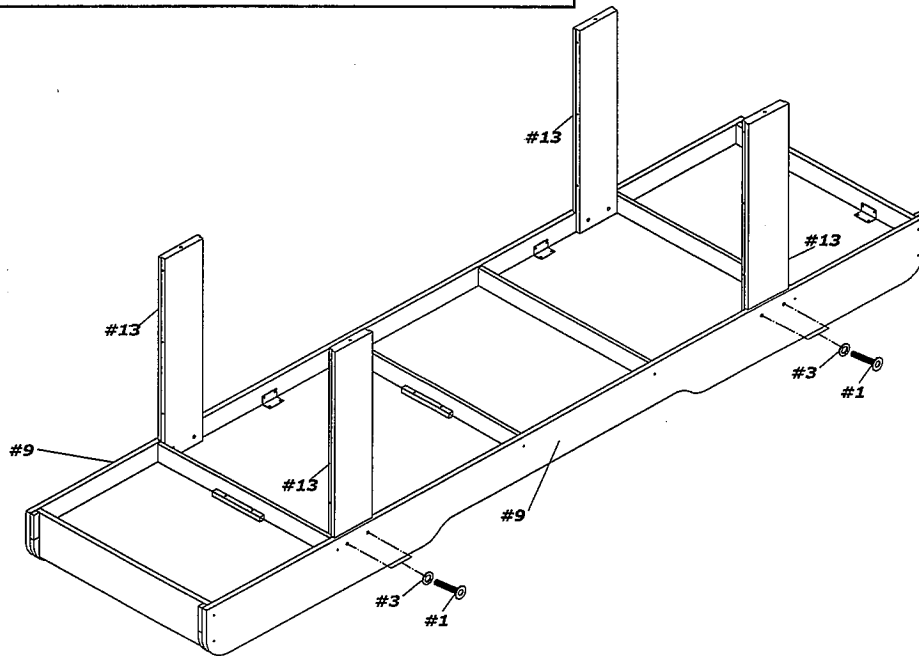
Step 2- Attach playing field#11 to the main frame .



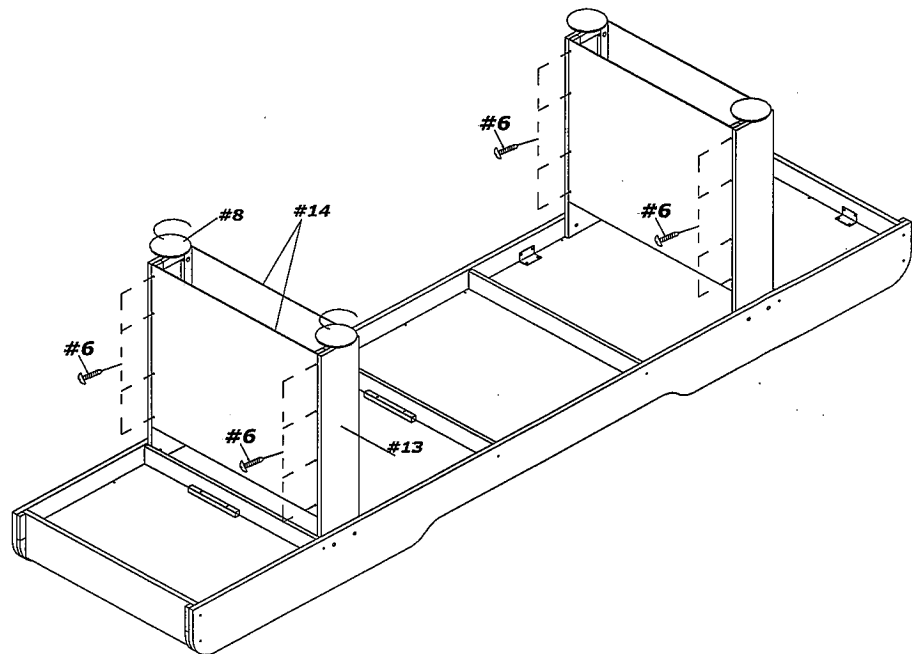
Step 3- Attach support panels #12 to the bottom of the play surface using screws #4. Be sure to follow the diagram for proper placement of the braces. Place the bracket #19 between the side panel and end panel, use washer head screw #20 to fix as shown.



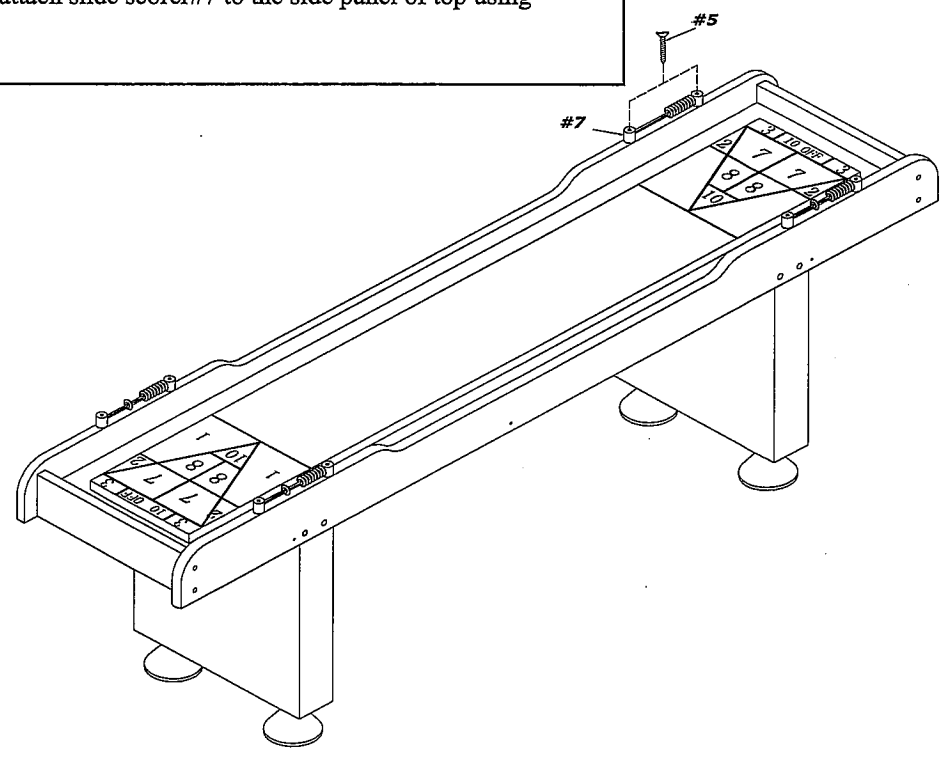
Step 4- Attach Leg #13 to the side panels #9 using bolts #1 and washers #3.



Step 5- Attach leg panel #14 to the leg #13 using screws #6. Next screw in leg levelers #8 to complete the table assembly.



Step 6- With assistance of another adult carefully flip to the table over. Next attach slide scorer #7 to the side panel of top using screws #5.



OFFICIAL SHUFFLEBOARD TOURNAMENT RULES

Shuffle consists of sliding or "shuffling" eight metal weights over a highly polished playing field. Four of the weights are red and the other four are blue to distinguish teams or opponents. The object of Shuffleboard is to outscore your opponent by sliding your weights farther into the scoring area than his weight; this is accomplished either by knocking his weights out of the scoring area or passing them.

The most basic Shuffleboard game is the basic two-handed game, where both players stand at the same end of the shuffleboard. They then select their weight colors (red or blue) and decide who shall shoot first weight. This is often decided by a coin flip.

The first player slides his weight from the playing end of the shuffleboard toward the scoring zones at the opposite end. His opponent then shoots his first weight in a similar manner. The two players continue shooting by alternating turns until all eight weights have been thrown.

After all 8 weights have been shuffled, a round of play has been completed and the score is tallied. The Official Method of Scoring is below.

Both players then walk to the opposite end of the shuffleboard where their weights are now sitting. The board is then cleared and play is resumed in exactly the same manner from that end, with the winner of the previous round shooting first.

The first player to score 16 points wins the match. If more than 3 players are playing, the first player to 21 points wins the match.

METHOD OF SCORING

After all weights in a round have been shuffled, the score is calculated by counting only the advance or leading weights of the color farthest away from the end where the players are shuffling. For example, if red is the farthest colored weight from the playing end, score the total of all red weights ahead of the farthest blue weight. Any red weight behind the farthest blue weight is not eligible for scoring.

Only one side is allowed to score in a round. Scoring is calculated as below:

1. Weights touching or in front of the deuce line score one point.
2. Weights between the deuce line and trey line, or touching the trey line, score two points.
3. Weights between the trey line and the end of board, but not hanging over the far end, score three points.
4. Weights hanging over the end of the shuffleboard table are called "hangers" and score four points.

PARTS ORDER FORM

If for some reason you are missing any assembly parts for your Halex game table, please call the Regent Sports Customer Service line at 1-877 516-9707 (toll free) between the hours of 10:00am and 5:00 pm EST or go online at www.regent-halex.com for parts ordering. Please refer to the REGENT SPORTS LIMITED WARRANTY concerning missing and defective parts.

Parts also may be ordered by filling out the form below. Please fill in all the information and return to:
REGENT SPORTS CORP.
 45 RANICK ROAD
 HAUPPAUGE, NEW YORK, 11788
 ATTN: CUSTOMER SERVICE

REGENT SPORTS CORP. requires that check, money order, VISA, or MC must pay all orders for replacement parts. Cash is not accepted. Please make all checks or money orders payable to REGENT SPORTS CORP. *Please note all prices include shipping and handling.*

Name of Purchaser: _____
Address: _____
City: _____
State: _____ **Zip Code:** _____
Phone: _____

PART #	DESCRIPTION	QUANTIY	PRICE	TOTAL COST
197-63563-01	M6X32MM BOLT	8	\$1.50 Each	
197-63563-02	4.5X60MM WASHER HEAD SCREW	8	\$1.50 Each	
197-63563-03	18MM WASHER	8	\$1.50 Each	
197-63563-04	4X45MM WASHER HEAD SCREW	16	\$1.50 Each	
197-63563-05	3.5X18MM FLAT HEAD SCREW	8	\$1.50 Each	
197-63563-06	3.5X30MM WASHER HEAD SCREW	32	\$1.50 Each	
197-63563-07	SLIDE SCORER	4	\$5.00 Each	
197-63563-08	LEG LEVELER	4	\$6.00 Each	
197-63563-09	SIDE PANEL	2	\$25.00 Each	
197-63563-10	END PANEL	2	\$15.00 Each	
197-63563-12	SUPPORT PANEL	4	\$10.00 Each	
197-63563-13	LEG	4	\$10.50 Each	
197-63563-14	LEG PANEL	4	\$10.50 Each	
197-63563-15	SHUFFLEBOARD DUST	1	\$13.00Each	
197-63563-16	BLUE SHUFFLEBOARD PUCK	4	\$10.00 Each	
197-63563-17	RED SHURRLEBOARD PUCK	4	\$10.00 Each	
197-63563-18	ALLEN TOOL	1	\$1.50 Each	
197-63563-19	BRACKET	8	\$2.50 Each	
197-63563-20	4X13MM WASHER HEAD SCREW	32	\$1.50 Each	

Also be sure to check out our web site at:

www.regent-halex.com

• Parts Ordering • Owners Manual • Product Information



© 2007
Regent Sports Corporation
Hauppauge, New York