

Halex Halex Halex Ha

lex Halex Halex Halex

TABLE

# Games

Halex Ha

lex Halex Halex Halex

*Assembly instructions*

Halex Halex Halex Ha

lex Halex Halex Halex

Halex Halex Halex Ha

lex Halex Halex Halex

Halex Halex Halex Ha

lex Halex Halex Halex



63551-DS (2004)

## **LIMITED 90 DAY WARRANTY**

This Halex product is warranted to be free from defects in workmanship or materials at the time of purchase for a period of 90 (ninety) days. Certain restrictions apply (see below).

Should any evidence of defects appear within the limited warranty period after the date of purchase, Regent Sports will either send replacement parts or advise of another course of action. A list of replaceable parts can be found on the parts order form page of this manual. Parts not listed on this order form are not replaceable. **Table tops, playing surfaces, and main frames are not replaceable.** This warranty covers normal consumer use and does not cover failures, which result from alterations, accidents, misuse, abuse, or neglect.

For prompt warranty service and special offers, please register your Halex product at our customer service center by visiting our website at: [www.regent-halex.com](http://www.regent-halex.com). Enter the following unique registration number followed by the item number of your table found on the cover of this manual: 1ZAK7 \_\_\_\_\_. You must register your product within 30 days of purchase to be eligible for warranty service. Please make sure to visit our website to order additional parts not covered under the warranty, as well as on-line instruction manuals and new product information. You may also order parts by calling our automated voice recognition system at: 877-516-9707 (Toll Free).

**A purchase receipt or other proof of date of purchase will be required before warranty service is performed.** Requests for warranty service can be provided by e-mailing the customer service department at [cstables@regent-halex.com](mailto:cstables@regent-halex.com) or by calling customer service at:

**877-516-9707 (Toll Free)**

**10:00 AM to 6:00 PM, EST. (Dec. through Jan.)**


**10:00 AM to 5:00 PM, EST. (Feb. through Nov.)**






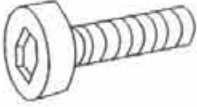






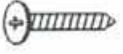


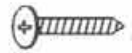


Or send request in writing to:

**Regent Sports Corporation**  
45 Ranick Road  
Hauppauge, NY 11788  
Attn: Halex Customer Service

This warranty gives you specific legal rights and you may have other rights that vary from state to state.

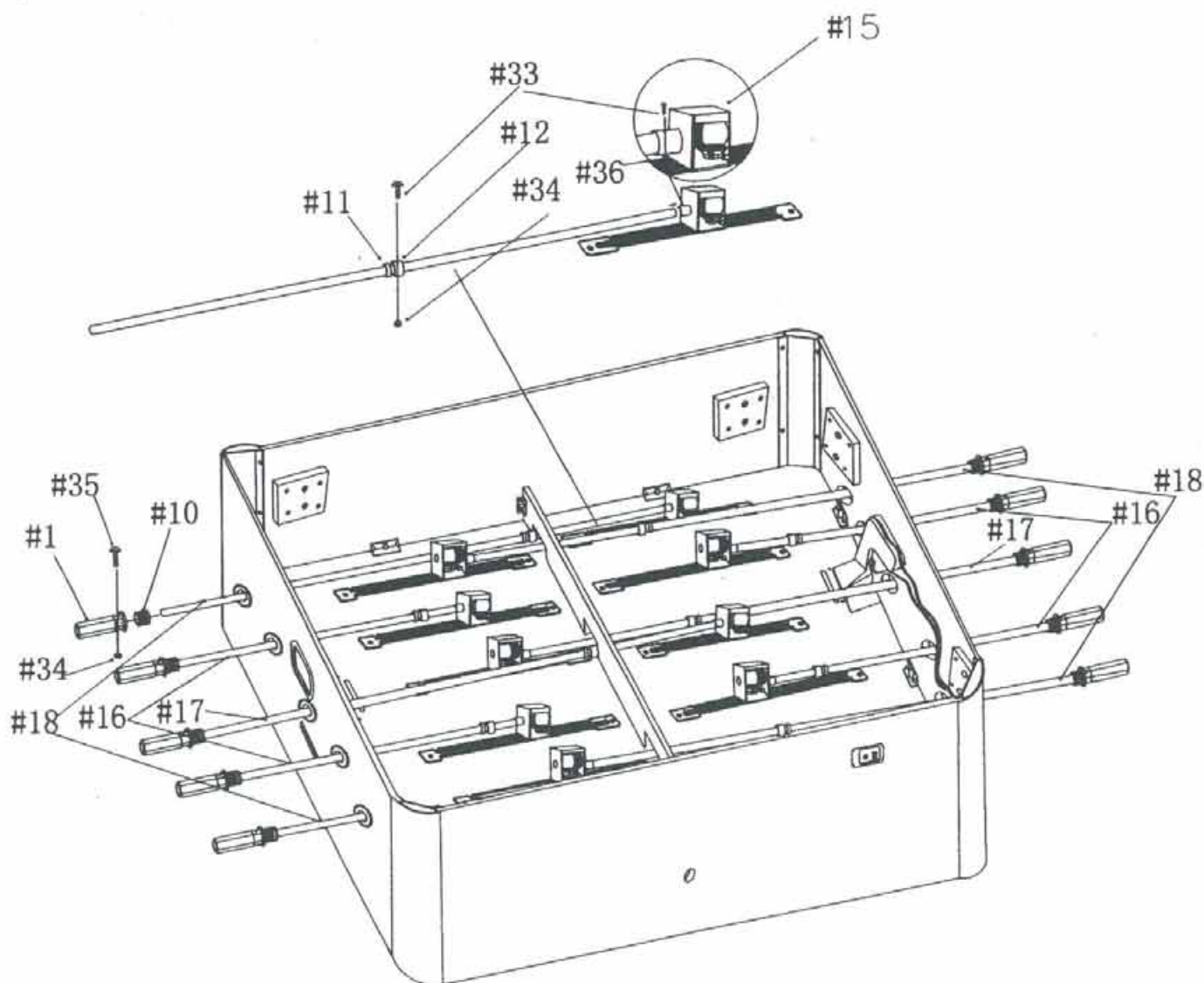
# 63551-DS ROD HOCKEY PARTS LIST

<p>#1</p>  <p>Rod Handles 10Pieces</p>	<p>#2</p>  <p>Hockey Goal 2Pieces</p>	<p>#3</p>  <p>Red Short Stick Player 1Piece</p>	<p>#4</p>  <p>Red Long Stick Player 4Pieces</p>
<p>#5</p>  <p>Red Goalie 1Piece</p>	<p>#6</p>  <p>Blue Short Stick Player 1Piece</p>	<p>#7</p>  <p>Blue Long Stick Player 4Pieces</p>	<p>#8</p>  <p>Blue Goalie 1Piece</p>
<p>#9</p>  <p>Hockey Puck 4Pieces</p>	<p>#10</p>  <p>Rod Bushing 10Pieces</p>	<p>#11</p>  <p>Foam Spacer 10Pieces</p>	<p>#12</p>  <p>Rod Stopper 10Pieces</p>
<p>#13</p>  <p>Goalie Handle 2Pieces</p>	<p>#14</p>  <p>Manual Scorer 2Pieces</p>	<p>#15</p>  <p>Gear Mechanism 10Pieces</p>	<p>#16</p>  <p>Short Rod 4Pieces</p>
<p>#17</p>  <p>Medium Rod 2Pieces</p>	<p>#18</p>  <p>Long Rod 4Pieces</p>	<p>#19</p>  <p>Playfield End 2Pieces</p>	<p>#20</p>  <p>Goalie Cover 2Pieces</p>
<p>#21</p>  <p>Goalie Track 2Pieces</p>	<p>#22</p>  <p>Goalie Slider 2Pieces</p>	<p>#23</p>  <p>Goalie Control 2Pieces</p>	<p>#24</p>  <p>End Leg Panel 2Pieces</p>

<p>#25</p>  <p>Leg 4Pieces</p>	<p>#26</p>  <p>Brace pole 1Piece</p>	<p>#27</p>  <p>Steel brace pole with wire 1Piece</p>	<p>#28</p>  <p>Score board 1Piece</p>
<p>#29</p>  <p>Adapter 1Piece</p>	<p>#30</p>  <p>5/16*1-1/8" Bolt 16Pieces</p>	<p>#31</p>  <p>5/16" Flat Washer 16Pieces</p>	<p>#32</p>  <p>1/8" Round Head Bolt 10Pieces</p>
<p>#33</p>  <p>7/8" Bolt 20Pieces</p>	<p>#34</p>  <p>1/8" Nut 20Pieces</p>	<p>#35</p>  <p>1-1/8" Bolt 10Pieces</p>	<p>#36</p>  <p>3/16" Nut 10Pieces</p>
<p>#37</p>  <p>3/4" Flat Head Screw 8Pieces</p>	<p>#38</p>  <p>1/2" Round Head Screw 30Pieces</p>	<p>#39</p>  <p>13/16" Phillips Head Screw 4Pieces</p>	<p>#40</p>  <p>3/4" Phillips Head Screw 4Pieces</p>
<p>#41</p>  <p>3/8" Round Head Screw 2Pieces</p>	<p>#42</p>  <p>Tool 1Piece</p>		

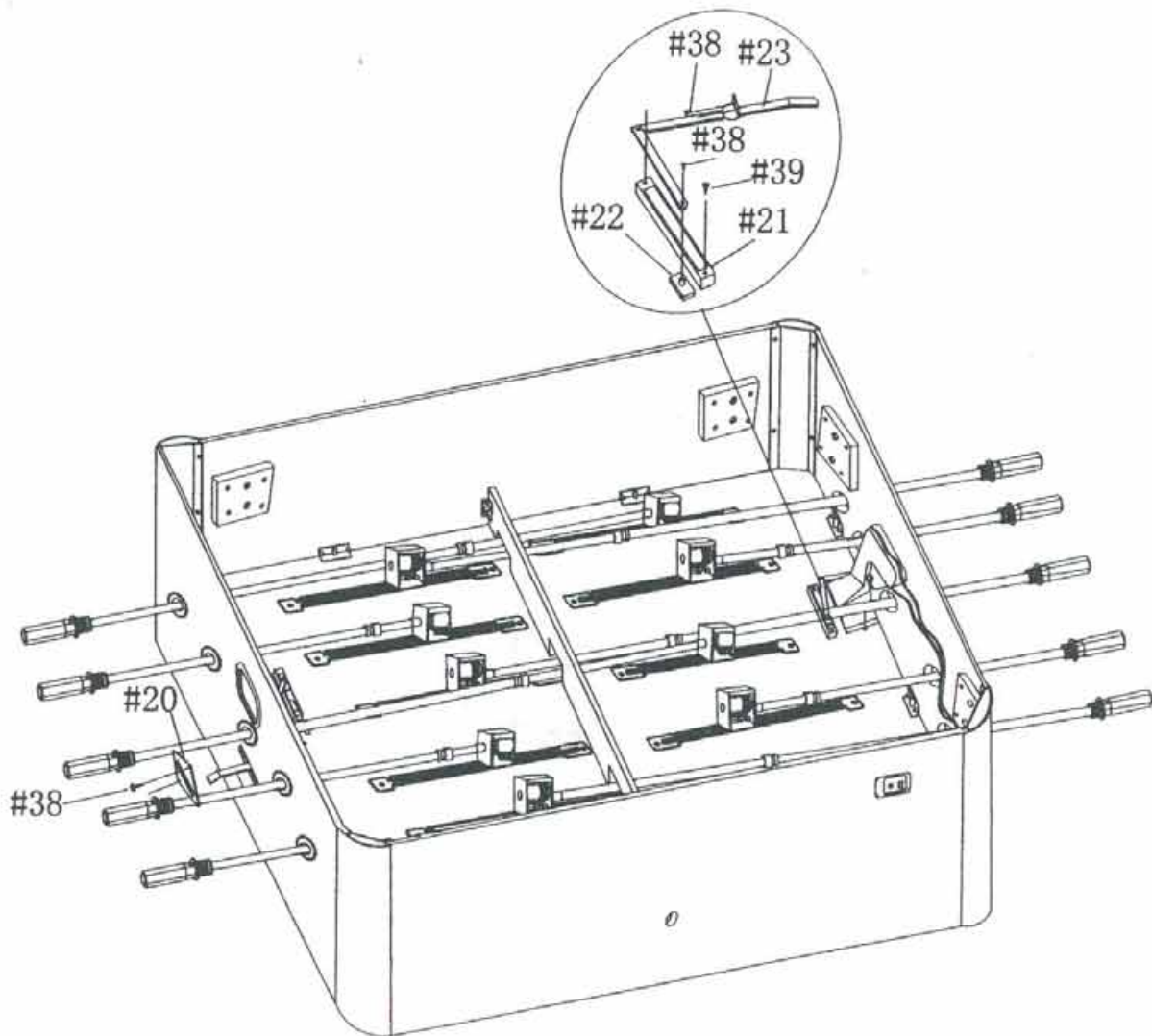
## Step 1

Slide the gear mechanisms(15) onto the tracks on the playfield. Make sure the flat side of the gear mechanism is facing the center of the playfield. Attach the rod handles(1) to the rod and secure with bolt (35) and nut(34). Slide the rod bushings(10) on the ends of each rod(16, 17, & 18) up to handles. Slide the long rods(18) through the outside holes in the end panel. Slide the short rods(16) through the middle holes. Slide the medium rods(17) through the remaining holes in the side panel. With the rods in place, slide the foam spacers(11) onto the rods, and then attach the rod stopper(12) to the pre-drilled holes in the middle of the rods. Secure the rod stoppers(12) with the 7/8" bolts(33) and 1/8" nut(34). Secure the ends of the rods into the gear mechanisms with the 7/8" bolt (33) and nut(36)



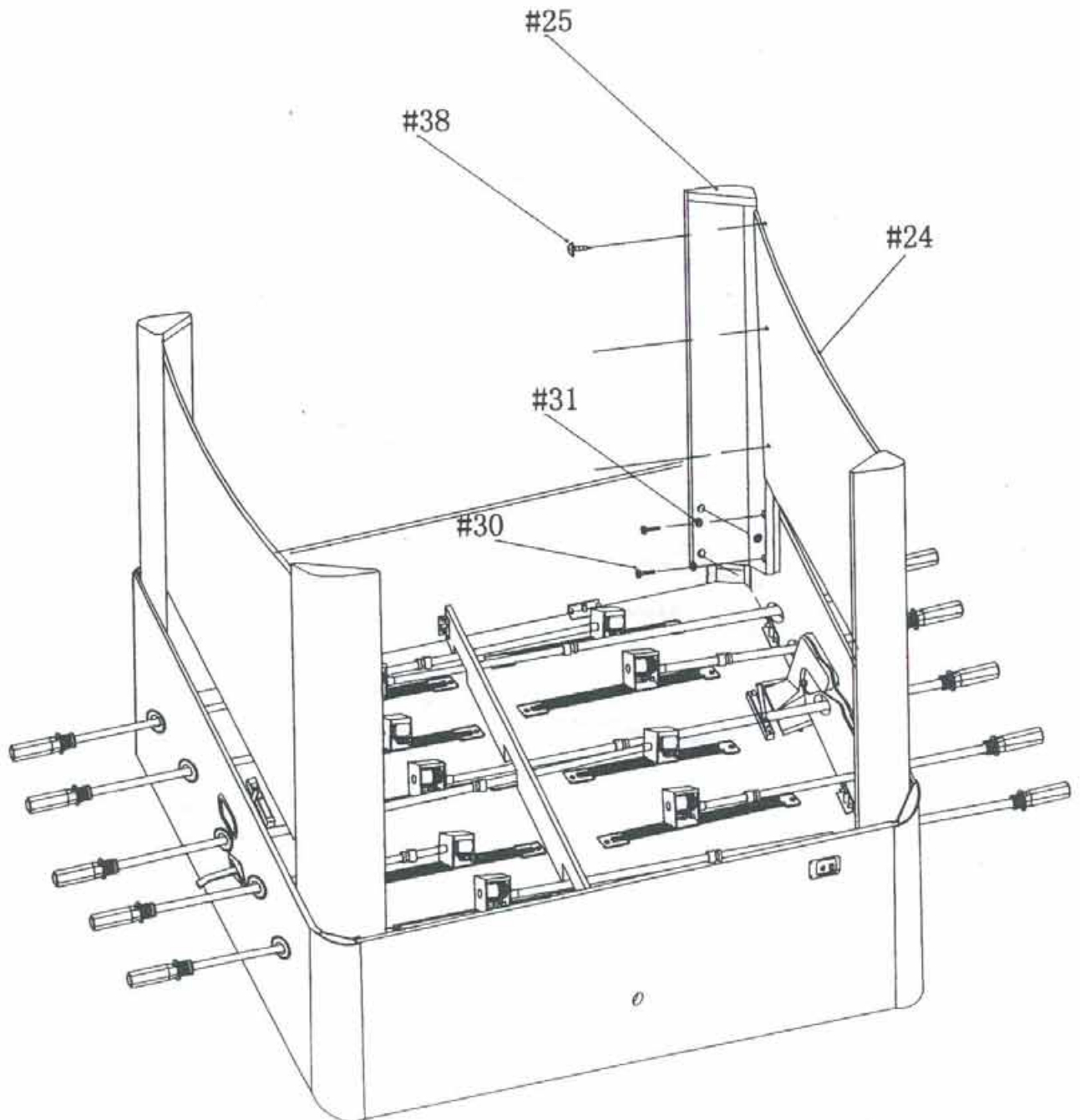
## Step2

Slide the goalie control (23) through the slot in the end panel so that the end of the goalie control with the hole in it is on the inside. Then place the goalie track (21) on top of the goalie slider (22). Connect the goalie slider to the goalie control (23) by screwing the 1/2" round head screw (38) through the goalie control and into the goalie slider. Attach the goalie track (21) to the playfield with the 13/16" Phillips head screw (39). Secure the goalie cover (20) to the end panel with the 1/2" round head screws (38).



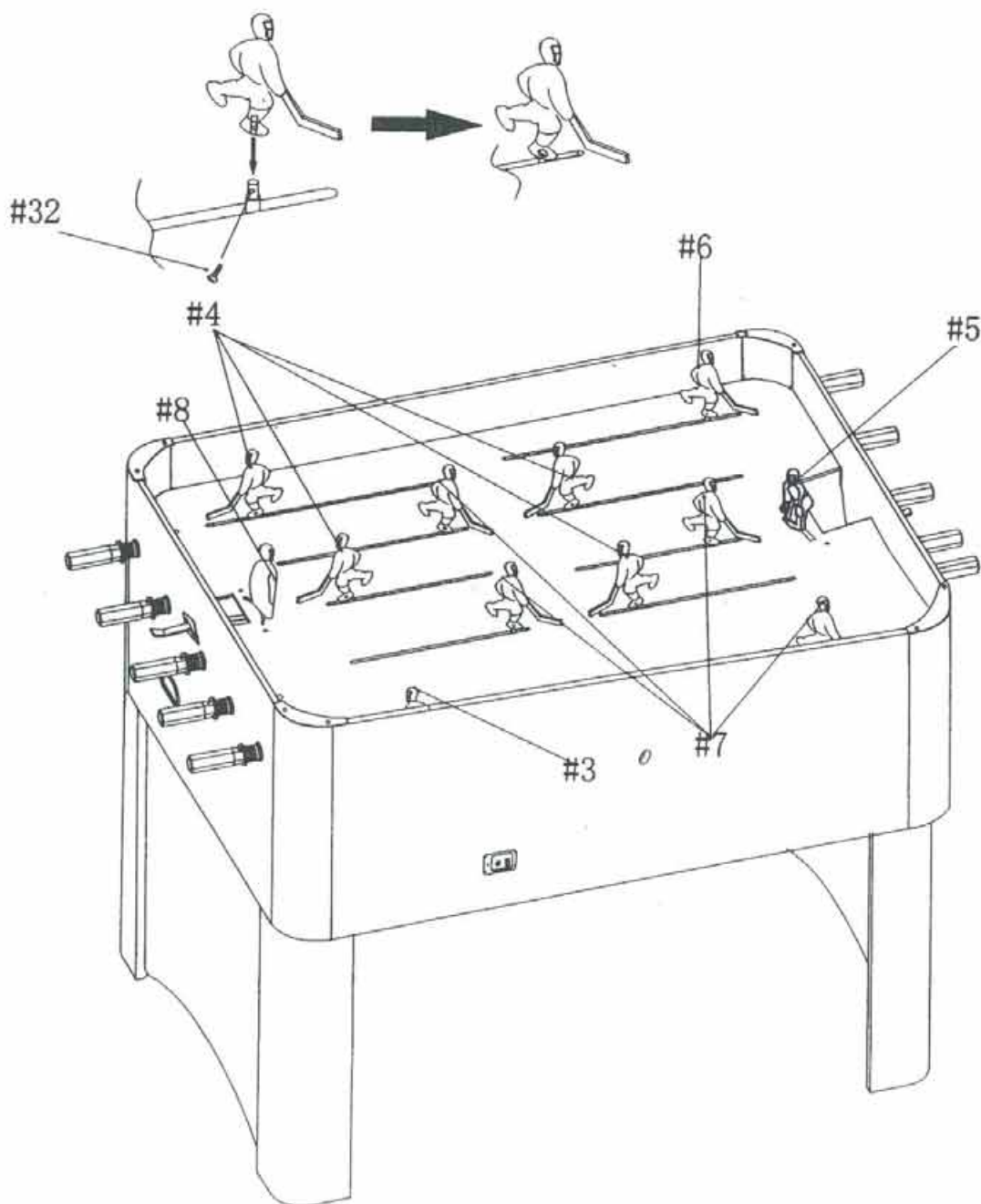
### Step3

Attach the legs(25)to the main frame corners using the 5/16"\*1-1/8" bolts(30)and 5/16"flat washers(31). Secure the end leg panels(24)to the legs with the 1/2"round head screws(38).



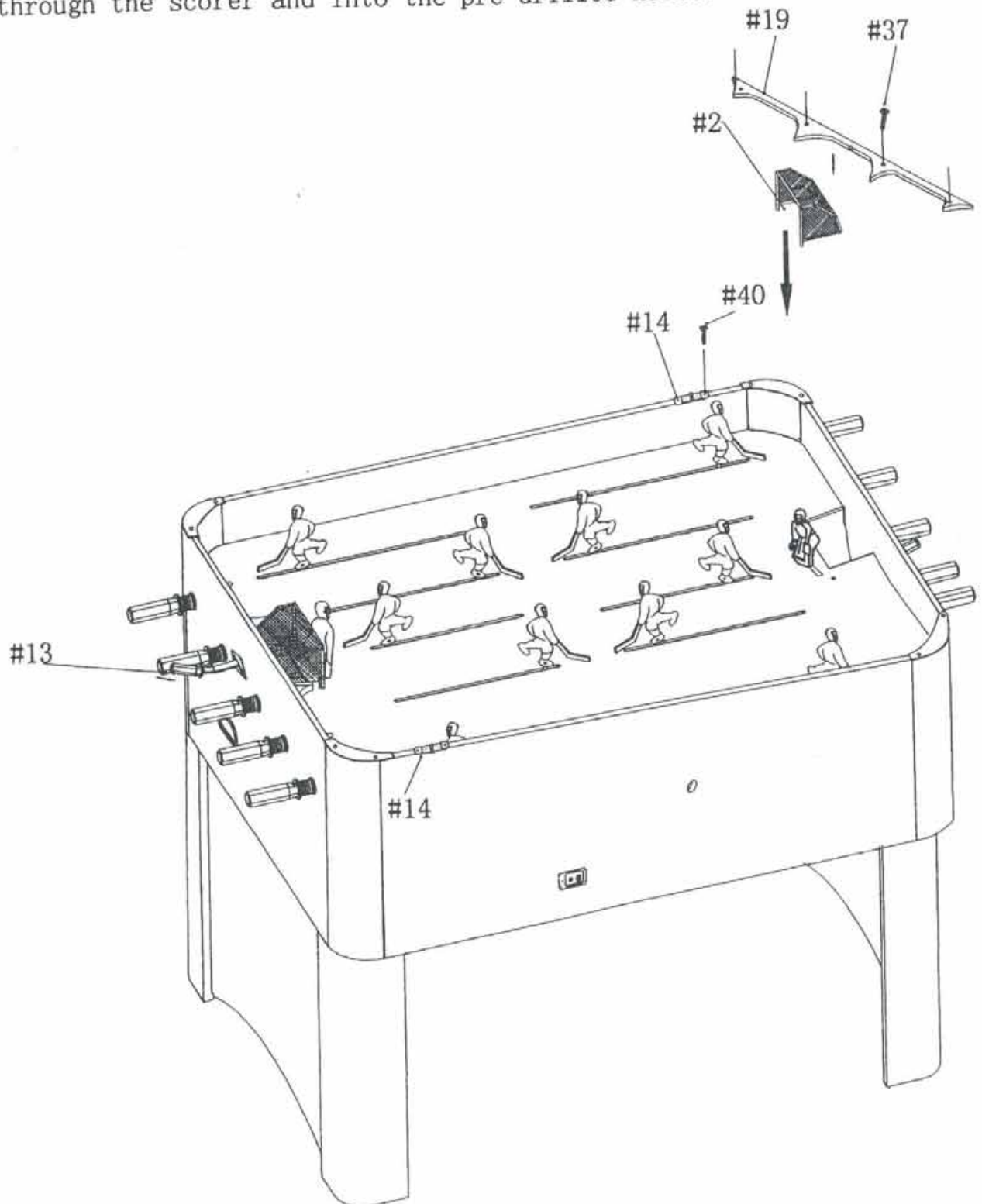
## Step4

With the help of another adult, carefully flip the table over. Follow the diagram closely to place the correctly numbered player on the appropriate rods. Secure the players (3, 4, 6 and 7) to the rods by inserting the 1/8" round head screws (#32) through the player's foot and into the rod. Again follow the diagram to place the goalies (5&8) on the correct goalie slider.



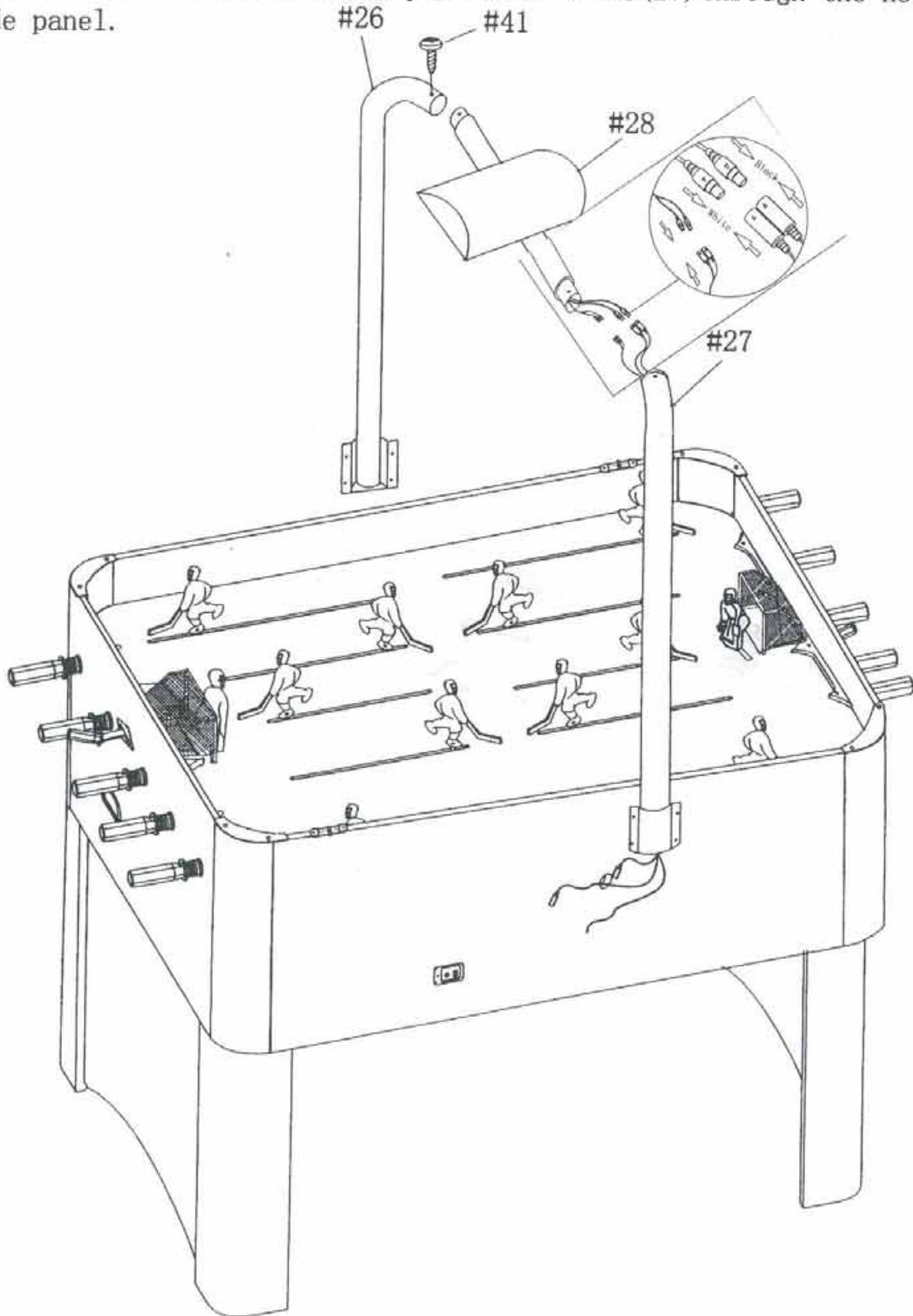
## Step 5

Slide the goalie handles (13) over the end of the goalie control. Place the hockey goals (2) in place by inserting the goal posts into the holes. Place the playfield end (19) in place behind the goals and secure with the 3/4" flat head screws (37). Secure the manual scorer (14) to the top rail of the main frame by screwing the 3/4" Phillips head screws (40) through the scorer and into the pre-drilled holes.



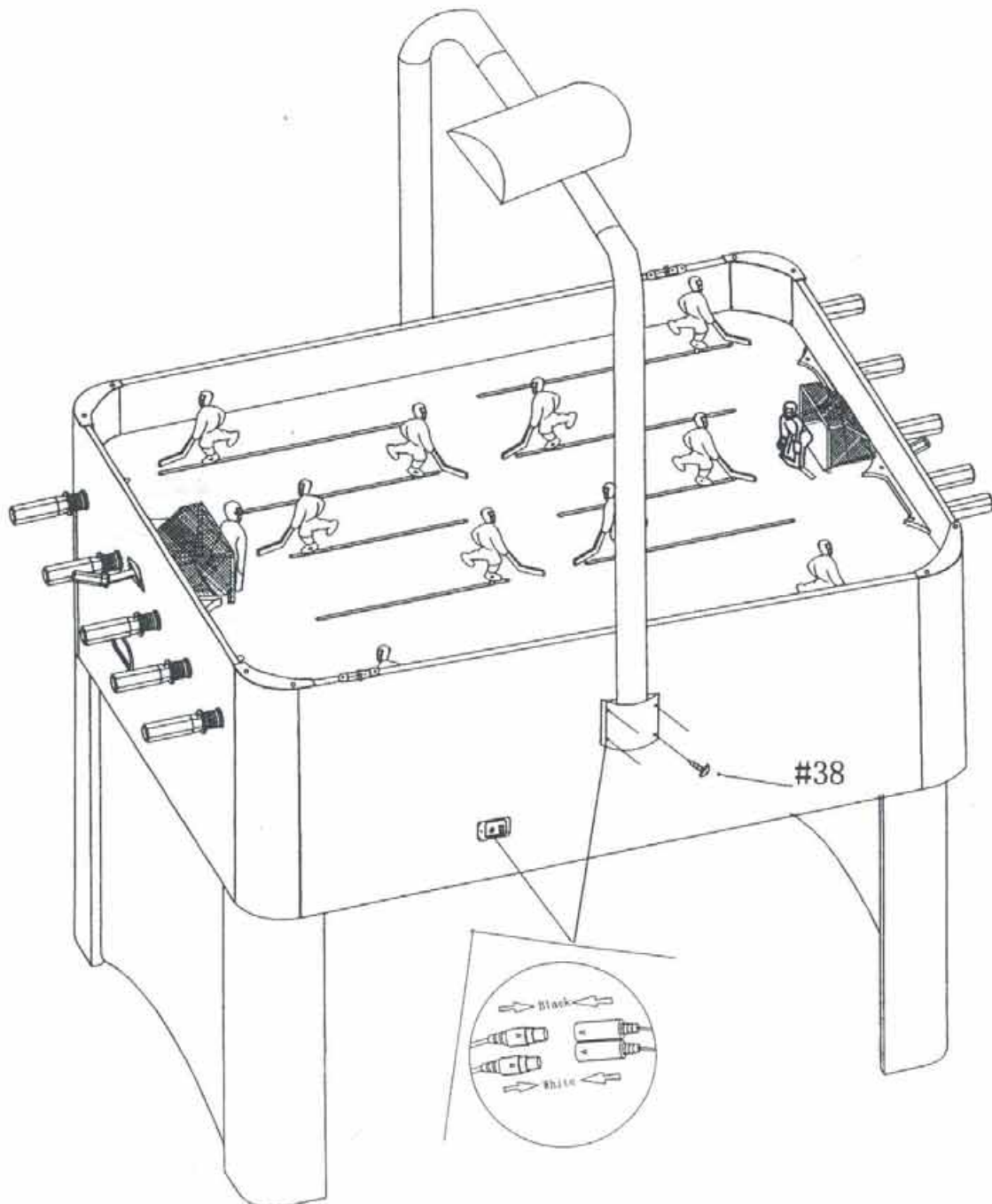
## Step 6

Attach the brace pole (26) to the scoreboard (28) and secure by screwing the 3/8" round head screw (41) through the pre-drilled hole in the brace pole. Connect the wires in the scoreboard to the wires in the steel brace pole with wire (27), making sure the wire connectors match up properly. Feed the excess wire from the steel brace pole with wires (27) through the hole in the side panel.



## Step 7

Secure the steel brace pole with wire (27) and the brace pole (26) to the side panel using the 1/2" round head screws (38). Connect the wires of the brace pole and the on/off switch underneath the table.



# **Rod Hockey Rules of Play**

## **The Object of the Game**

The object of Rod Hockey is to be the first player to score 10 goals against the opposing player.

## **Beginning the Game**

Matches begin with the puck placed in the center of the rink, the 2 center-forwards being on their own side. Face off is made by releasing the puck in the center of the middle circle, the 2 center-forwards being in the position above mentioned. Before releasing the puck, be sure opponent is ready.

## **During Play**

Players attempt to pass the puck to their own players, and utilizing the rods, try to score a goal. If the puck becomes stuck on a part of the table that cannot be reached by a hockey player, the puck needs to be picked up and placed in the center for a new face-off. Each player controls his/her own offense and defense during play. The goalie can be controlled for lateral movement to block shots on goal.

## **Scoring**

A goal is scored when the puck enters and drops inside the opponent's goal.

A face-off is required to after each goal is scored.

## **Winning**

The first player to score 10 points is declared the winner.



## PARTS ORDER FORM

If for some reason you are missing any assembly parts for your Halex game table, please call the Regent Sports Customer Service line at (877) 516-9707 (toll free) between the hours of 10:00am and 5:00pm EST or go online at [www.regent-halex.com](http://www.regent-halex.com) for parts ordering. Please refer to the REGENT SPORTS LIMITED WARRANTY concerning missing and defective parts.

Parts also may be ordered by filling out the form below. Please fill in all the information and return to:

REGENT SPORTS CORP.  
45 RANICK ROAD  
HAUPPAUGE, NEW YORK, 11788  
ATTN: CUSTOMER SERVICE

REGENT SPORTS CORP. requires that all orders for replacement parts must be paid by check, money order, VISA, or MC. Cash is not accepted. Please make all checks or money orders payable to REGENT SPORTS CORP. *Please note all prices include shipping and handling.*

Name of Purchaser: \_\_\_\_\_  
Address: \_\_\_\_\_  
City: \_\_\_\_\_  
State: \_\_\_\_\_ Zip Code: \_\_\_\_\_  
Phone: \_\_\_\_\_

PART #	DESCRIPTION	QUANTITY	PRICE	TOTAL COST
194-63551-1	rod handles		\$2.00	
194-63551-2	hockey goal		\$5.00	
194-63551-3	red short stick player		\$5.00	
194-63551-4	red long stick player		\$5.00	
194-63551-5	red goalie		\$5.00	
194-63551-6	blue short stick player		\$5.00	
194-63551-7	blue long stick player		\$5.00	
194-63551-8	blue goalie		\$5.00	
194-63551-9	hockey puck		\$1.00	
194-63551-10	rod bushing		\$1.00	
194-63551-11	foam spacer		\$1.00	
194-63551-12	rod stopper		\$1.00	
194-63551-13	goalie handle		\$1.00	
194-63551-14	manual scorer		\$5.00	
194-63551-15	gear mechanism		\$7.50	
194-63551-16	short rod		\$5.00	
194-63551-17	medium rod		\$5.00	
194-63551-18	long rod		\$5.00	
194-63551-19	playfield end		\$5.00	
194-63551-20	goalie cover		\$2.00	
194-63551-21	goalie track		\$5.00	

194-63551-22	goalie slider		\$2.00	
194-63551-23	goalie control		\$5.00	
194-63551-24	end leg panel		\$5.00	
194-63551-25	leg		\$10.00	
194-63551-26	brace pole		\$5.00	
194-63551-27	steel brace pole with wire		\$5.00	
194-63551-28	scoreboard		\$10.00	
194-63551-29	adapter		\$3.50	
194-63551-30	5/16*1-1/8" bolt		\$1.00	
194-63551-31	5/16" flat washer		\$1.00	
194-63551-32	1/8" round head bolt		\$1.00	
194-63551-33	7/8" bolt		\$1.00	
194-63551-34	1/8" nut		\$1.00	
194-63551-35	1-1/8" bolt		\$1.00	
194-63551-36	3/16" nut		\$1.00	
194-63551-37	3/4" flat head screw		\$1.00	
194-63551-38	1/2" round head screw		\$1.00	
194-63551-39	13/16" Phillips head screw		\$1.00	
194-63551-40	3/4" Phillips head screw		\$1.00	
194-63551-41	3/8" round head screw		\$1.00	