

TABLE

# Games

Assembly instructions



63551

## **LIMITED 90 DAY WARRANTY**

This Halex product is warranted to be free from defects in workmanship or materials at the time of purchase for a period of 90 (ninety) days.

Certain restrictions apply (see below).

Should any evidence of defects appear within the limited warranty period after the date of purchase, Regent Sports will either send replacement parts or advise of another course of action. A list of replaceable parts can be found on the parts order form page of this manual. Parts not listed on this order form are not replaceable. **Table tops, playing surfaces, and main frames are not replaceable.** This warranty covers normal consumer use and does not cover failures, which result from alterations, accidents, misuse, abuse, or neglect.

For prompt warranty service and special offers, please register your Halex product at our customer service center by visiting our website at: [www.regent-halex.com](http://www.regent-halex.com). Enter the following unique registration number followed by the item number of your table found on the cover of this manual: 1ZAK7 \_\_\_\_\_. You must register your product within 30 days of purchase to be eligible for warranty service. Please make sure to visit our website to order additional parts not covered under the warranty, as well as on-line instruction manuals and new product information. You may also order parts by calling our automated voice recognition system at: 877-516-9707 (Toll Free).

**A purchase receipt or other proof of date of purchase will be required before warranty service is performed.** Requests for warranty service can be provided by e-mailing the customer service department at [cstables@regent-halex.com](mailto:cstables@regent-halex.com) or by calling customer service at:

**877-516-9707 (Toll Free)**

**10:00 AM to 6:00 PM, EST. (Dec. through Jan.)**

**10:00 AM to 5:00 PM, EST. (Feb. through Nov.)**

Or send request in writing to:

**Regent Sports Corporation**

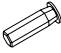








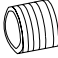

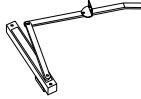

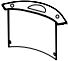

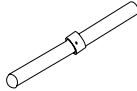
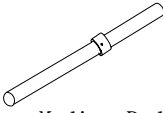
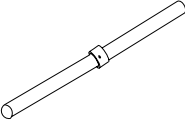





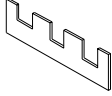


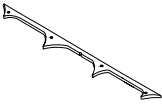

45 Ranick Road

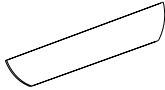
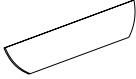
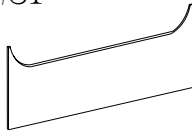
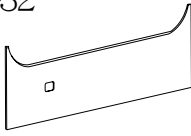
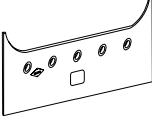

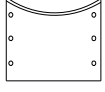

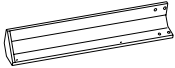

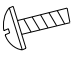

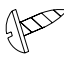
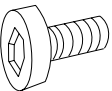


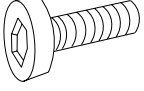

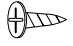

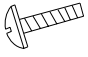




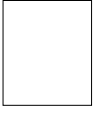
Hauppauge, NY 11788

Attn: Halex Customer Service

This warranty gives you specific legal rights and you may have other rights that vary from state to state.

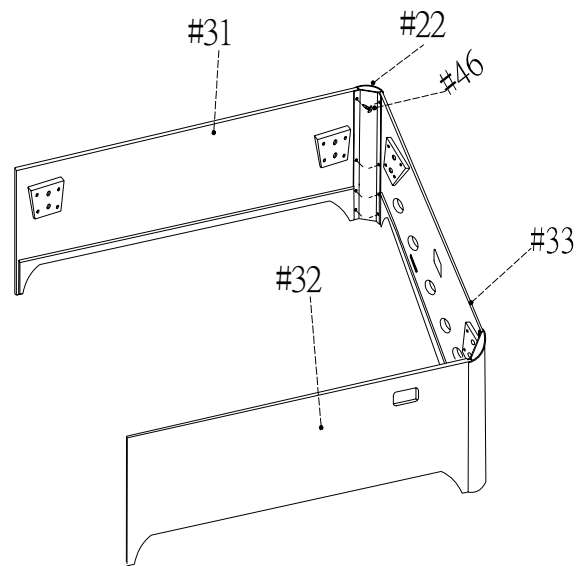
# 63551 ROD HOCKEY PARTS LIST

<p>#1</p>  <p>Rod Handle 10 Pieces</p>	<p>#2</p>  <p>Hockey Goal 2 Pieces</p>	<p>#3</p>  <p>Red Short Stick Player 1 Piece</p>	<p>#4</p>  <p>Red Long Stick Player 4 Pieces</p>
<p>#5</p>  <p>Red Goalie 1 Piece</p>	<p>#6</p>  <p>Blue Short Stick Player 1 Piece</p>	<p>#7</p>  <p>Blue Long Stick Player 4 Pieces</p>	<p>#8</p>  <p>Blue Goalie 1 Piece</p>
<p>#9</p>  <p>Hockey Puck 4 Pieces</p>	<p>#10</p>  <p>Rod Bushing 10 Pieces</p>	<p>#11</p>  <p>Puck Return 2 Pieces</p>	<p>#12</p>  <p>Goalie Control 2 pieces</p>
<p>#13</p>  <p>Goalie Handle 2 Pieces</p>	<p>#14</p>  <p>Corner Scoreboard (Counter) 2 Pieces</p>	<p>#15</p>  <p>Corner Scoreboard (Timer) 2 Pieces</p>	<p>#16</p>  <p>Short Rod 4 Pieces</p>
<p>#17</p>  <p>Medium Rod 2 Pieces</p>	<p>#18</p>  <p>Long Rod 4 Pieces</p>	<p>#19</p>  <p>Wiring Harness (long) 1 Pieces</p>	<p>#20</p>  <p>Wiring Harness (short) 1 Pieces</p>
<p>#21</p>  <p>Gear Mechanism 10 Pieces</p>	<p>#22</p>  <p>Corner Piece 4 Pieces</p>	<p>#23</p>  <p>L-bracket 10 Pieces</p>	<p>#24</p>  <p>Center Support 1 Piece</p>
<p>#25</p>  <p>Foam Spacer 10 Pieces</p>	<p>#26</p>  <p>Leg Leveler 4 Pieces</p>	<p>#27</p>  <p>Playfield End 2 Pieces</p>	<p>#28</p>  <p>Control Box 1 Piece</p>

<p>#29</p>  <p>Long Glass Insert 2 Pieces</p>	<p>#30</p>  <p>Short Glass Insert 2 Pieces</p>	<p>#31</p>  <p>Side Panel 1 Piece</p>	<p>#32</p>  <p>Side Panel 1 Piece</p>
<p>#33</p>  <p>End Panel 2 Pieces</p>	<p>#34</p>  <p>Plafield 1 Piece</p>	<p>#35</p>  <p>End Leg Panel 2 Pieces</p>	<p>#36</p>  <p>Side Leg Panel 2 Pieces</p>
<p>#37</p>  <p>Leg 4 Pieces</p>	<p>#38</p>  <p>3/8" Phillips Head Screw 4 Pieces</p>	<p>#39</p>  <p>15/16" Bolt 10 Pieces</p>	<p>#40</p>  <p>1/8" Nut 10 Pieces</p>
<p>#41</p>  <p>1/2" Round Head Screw 8 Pieces</p>	<p>#42</p>  <p>5/16" * 1-1/4" Bolt 8 Pieces</p>	<p>#43</p>  <p>5/16" Flat Washer 16 Pieces</p>	<p>#44</p>  <p>3/4" Flat Head Screw 8 Pieces</p>
<p>#45</p>  <p>5/16" * 1-1/16" Bolt 8 Pieces</p>	<p>#46</p>  <p>1/2" Round Head Screw 68 Pieces</p>	<p>#47</p>  <p>13/16" Phillips Head Screw 30 Pieces</p>	<p>#48</p>  <p>3/32" Phillips Screw 8 Pieces</p>
<p>#49</p>  <p>1-1/8" Bolt 10 Pieces</p>	<p>#50</p>  <p>3/16" Nut 10 Pieces</p>	<p>#51</p>  <p>3*15mm Phillips Screw 4 Pieces</p>	<p>#52</p>  <p>Adapter 1 Piece</p>
<p>#53</p>  <p>Tool 1 Piece</p>	<p>#54</p>  <p>Sticker Sheet 1 Piece</p>		

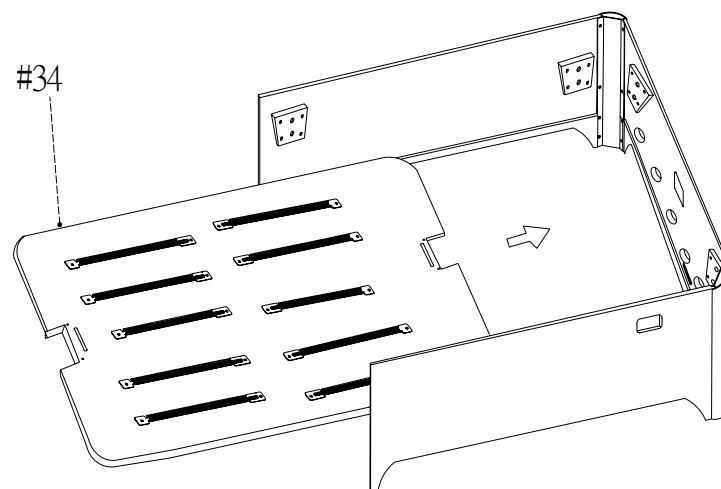
## Step 1

- 1) Open the carton of your new Rod Hockey game near where you will play. Select a clear level floor. This game requires at least two adults to assemble the table.
- 2) Remove all the contents from inside the carton and verify that you have all listed parts as shown on the parts list. We suggest that you use the bottom carton as a clean flat working area to protect the game. Carefully cut or tear the four carton corners so that the bottom is now your work area.
- 3) Take an end panel (#33), and turn it upside down (flat edge facing up), attach the corner piece (# 22) to the end panel using four round head screws (#46). Next, place the side panel A (#31) upside down, attach the side panel A (#31) to the other side of the corner piece (# 22) using four round head screws (#46).
- 4) Attach the other corner piece (# 22) to the other end of end panel (#33) using four round head screws (#46). Next, place the side panel B (#32) upside down, attach the side panel B (#32) to the other side of the corner piece (# 22) using four round head screws (#46).



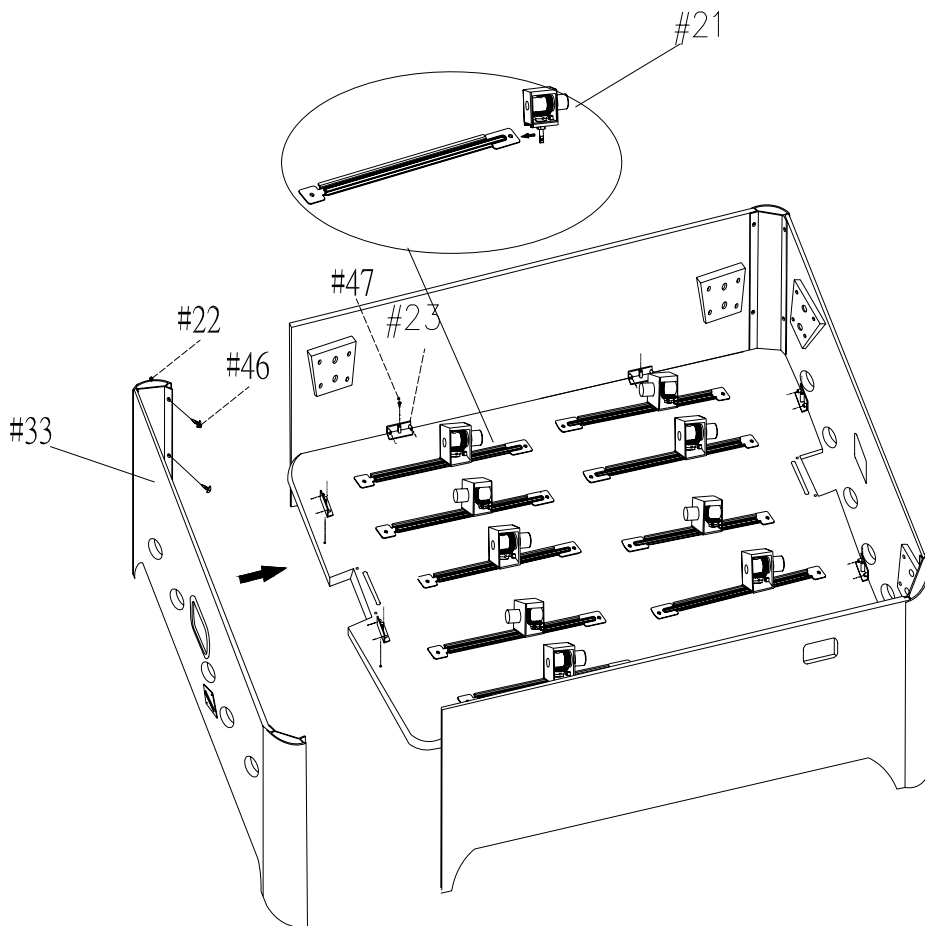
## Step 2

- 5) With the finished side of playfield facing down, slide the playfield (#34) onto the ledge on the side and end panels. Be sure playfield fits into grooves in corner pieces.



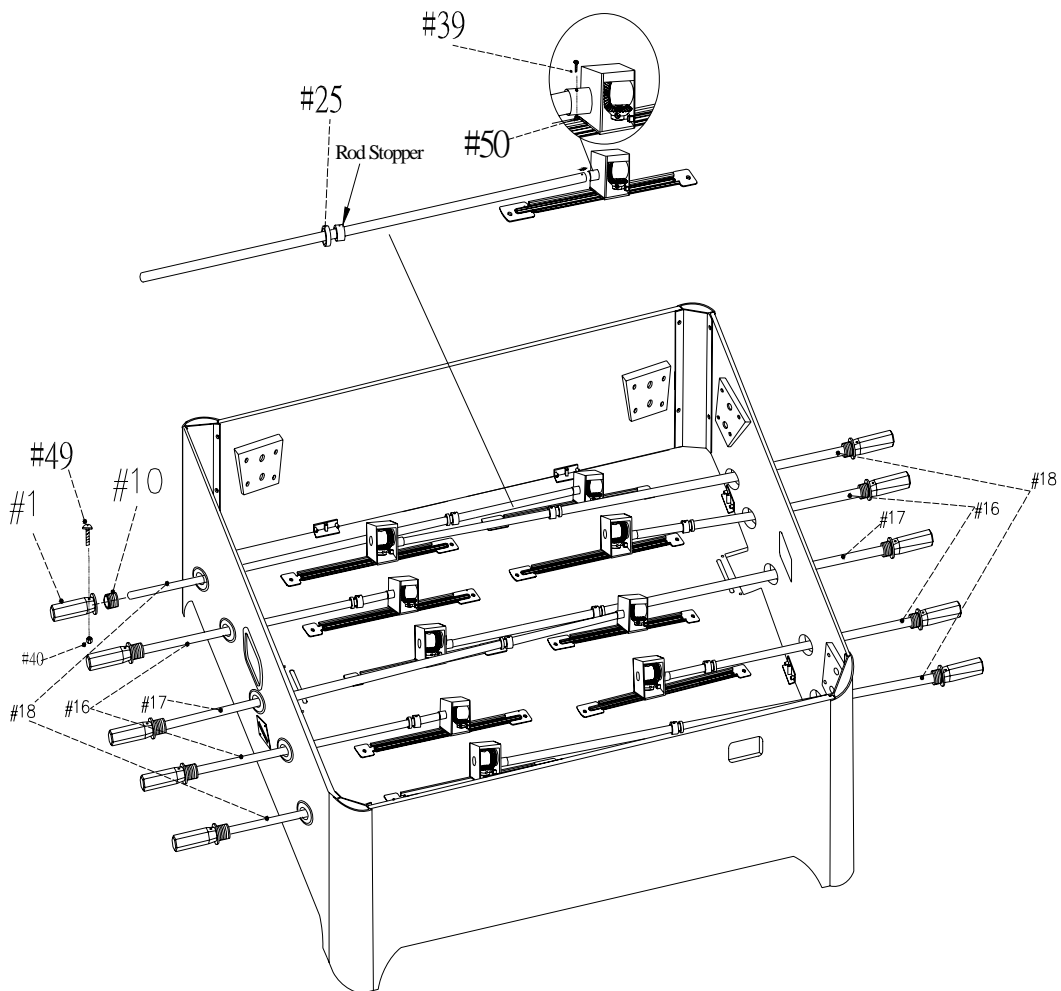
### Step 3

- 6) Secure the playfield (#34) to the table with six L-Brackets (#23), secure three screw (#47) to each L-Bracket (#23) as shown in the diagram. Pilot holes show the proper screw placement.
- 7) Insert the gear mechanisms (#21) into each player tracks onto the playfield. Slide into place from the open end of the tracks, located closest to the end panels. Arrange the gear mechanisms as shown in the diagram to ensure proper alignment.
- 8) Place the other end panel (#33) upside down. Attach the two corner pieces (#22) to both end of end panel (#33) using four round head screws (#46) per corner piece (#22) as shown in diagram. Next, attach the corner piece (#22) to the two side panels (#31 & #32) using eight round head screws (#46). Attach two L-Brackets (#23) to the end panel (#33) using three screws (#47).



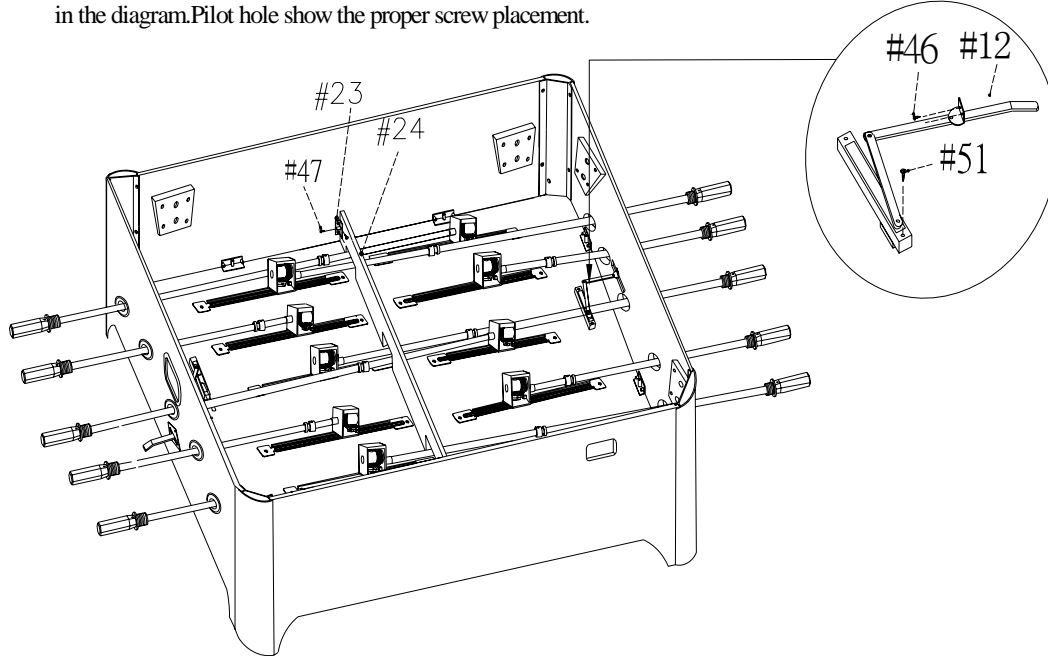
## Step 4

- 9) Slide the rod hockey - long rod (#18) with the rod stopper (pre-assembled) and foam spacer (#25) to the gear mechanism (#21). NOTE: Please make sure attach the rod hockey - Long rod (#18) to the gear mechanism (#21) and pass through the hole in the end panel (#33). Also make sure the position of rod stopper (pre-assembled) and foam spacer (#25) are same as the diagram. Secure to the gear mechanism (#21) using one bolt (#39) and one hex nut (#50). NOTE: PLEASE DO NOT OVERTIGHTEN ALL CONNECTIONS TO AVOID THE TABLE DAMAGED.
- 10) Repeat step 9) for the other rod hockey rods
- 11) Attach one rod bushing (#10) to each rod hockey player rod as shown in diagram.
- 12) Attach one rod handle (#1) to each rod hockey player rod and secure with one bolt (#49) and one hex nut (#40) as shown in the diagram.



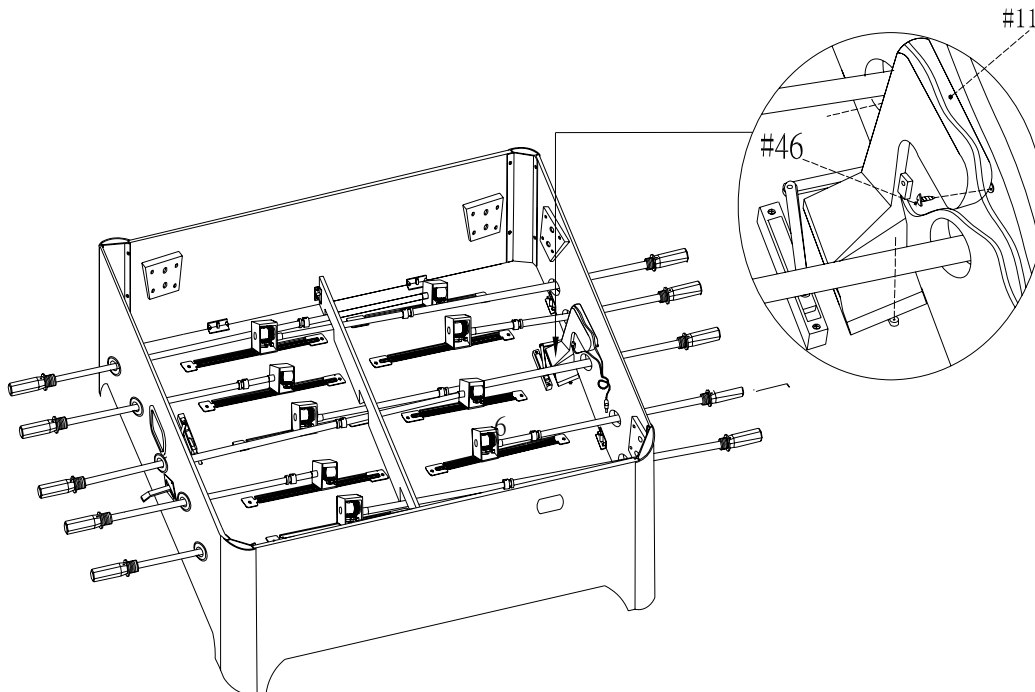
## Step 5

- Slide the goalie control rod (#12) through the goalie hole in the end panel (#33), secure the goalie control rod (#12) to the underside of the playfield (#34) using two screws (#51) and secure the goalie control rod (#12) to the end panel (#33) using two screws (#46) as shown in the diagram. Do the same for the other goalie control rod (#12).
- Place the center support brace (#24) with the cut-outs rest on the underside of the playfield (#34). Attach two L-Bracket (#23) to both ends of the center support brace (#24) using three screws (#47) per L-Bracket (#23) as shown in the diagram. Pilot hole show the proper screw placement.



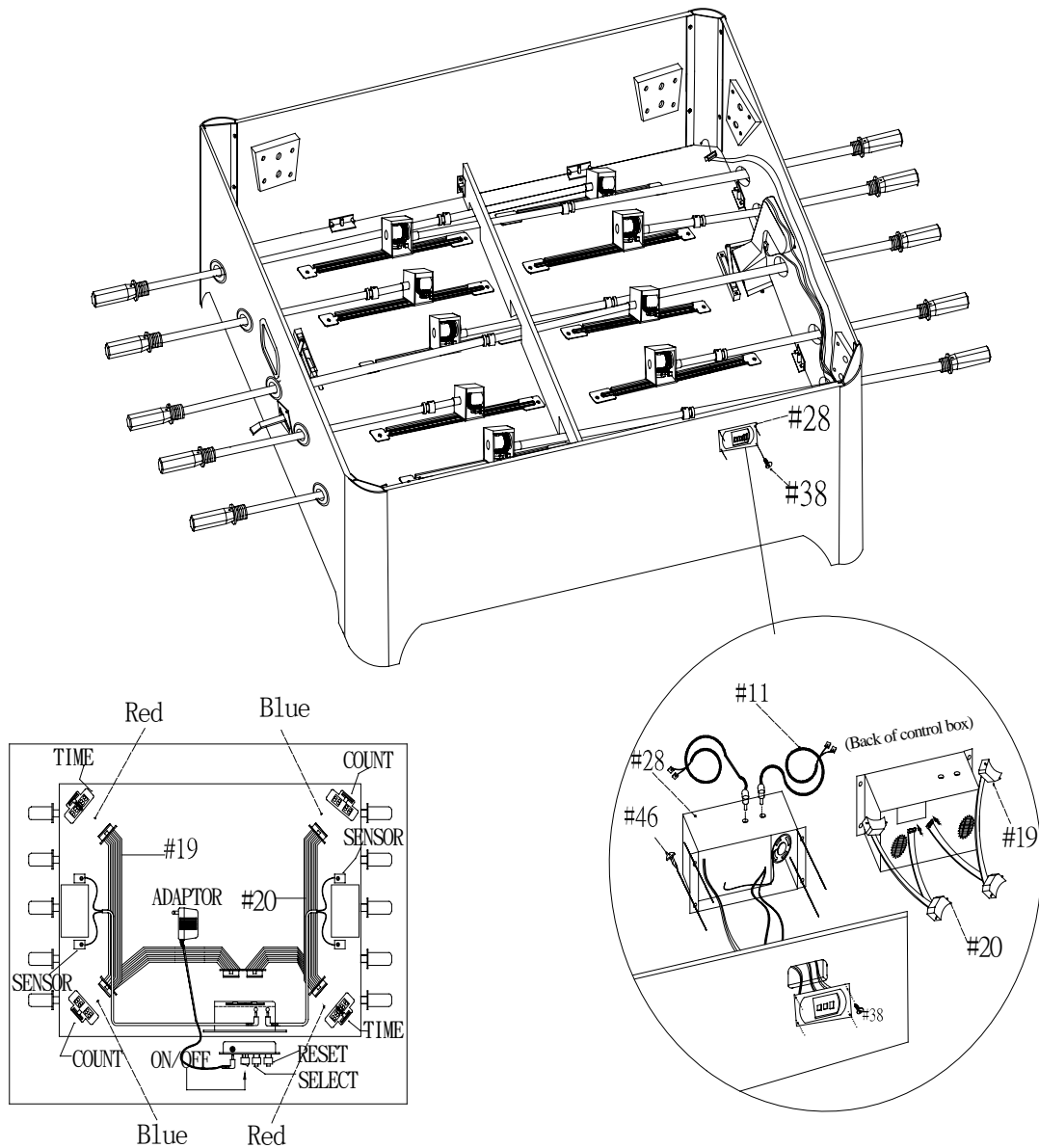
## Step 6

- Refer to the diagram for this step, attach the puck return (#11) to the end of the playfield (#34) and to the end panel (#33) using four screws (#46) as shown in the diagram. Pilot hole show the proper screw placement. Make sure the flat end of the puck returns is attached to the playfield.
- Do the same for the other puck return (#11).



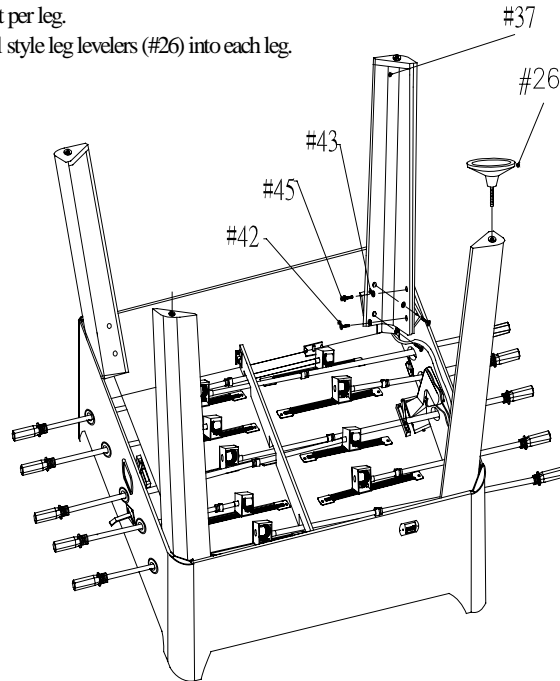
## Step 7

- 17) Place the control panel of the control box (#28) into the rectangular hole on the finished side panel B (#32) from inside, secure with four screws (#38).
- 18) Attach the control box (#28) to the hole of side panel B (#32) and secure with four screws (#46).
- 19) Connect the scoring jack from the puck catcher (#11) to the hole in the top of the control box (#28) as shown in diagram.
- 20) Please refer to diagram, connect the left (short) wiring harness (#19) and the right (long) wiring harness (#20) to the back of the control box (#28). Stretch the scoreboard wires (#19 & #20) to the matching color-coded corner of the panel assembly as per the diagram. You will leave the wires unconnected until a later step.



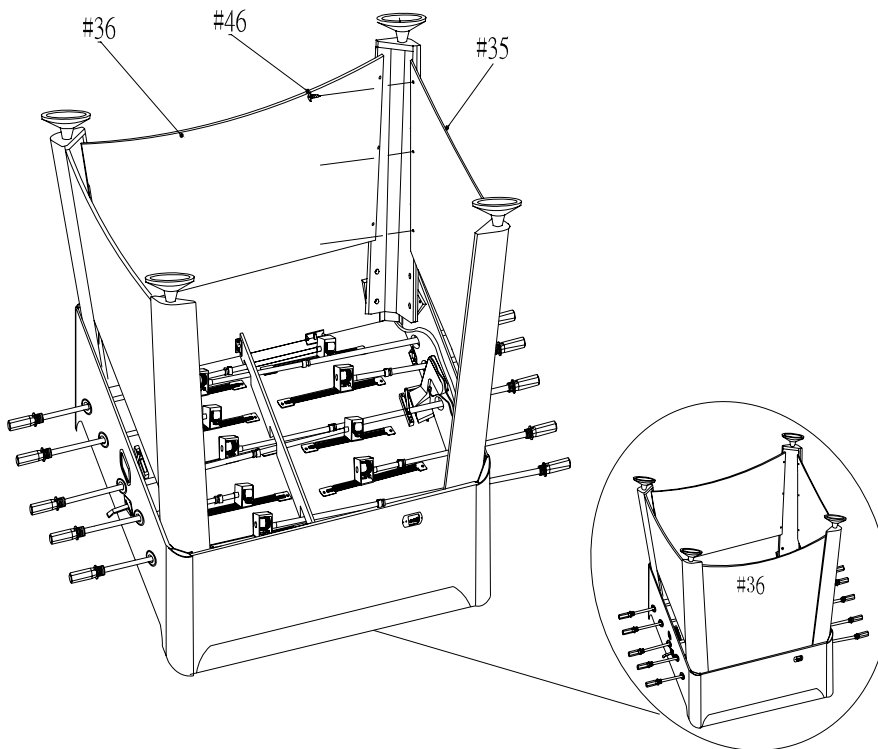
## Step 8

- 21) Secure the four legs (#37) to the bottom side of the leg braces at table cabinet using two bolts (#42) and two flat washers (#43) per leg. Next, secure two bolts (#45) and two flat washers (#43) to the upper side of the leg braces at the table cabinet per leg.
- 22) Screw the four bell style leg levelers (#26) into each leg.



## Step 9

- 23) Attach one leg end panel (#35) and side panel (#36) between two legs (#37) using six screws (#46) per panel. Repeat to attach the other leg end panel (#35) and side panel (#36).

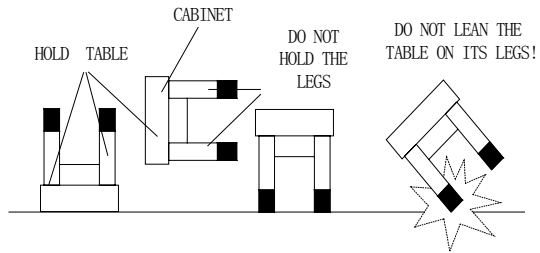


## Step 10

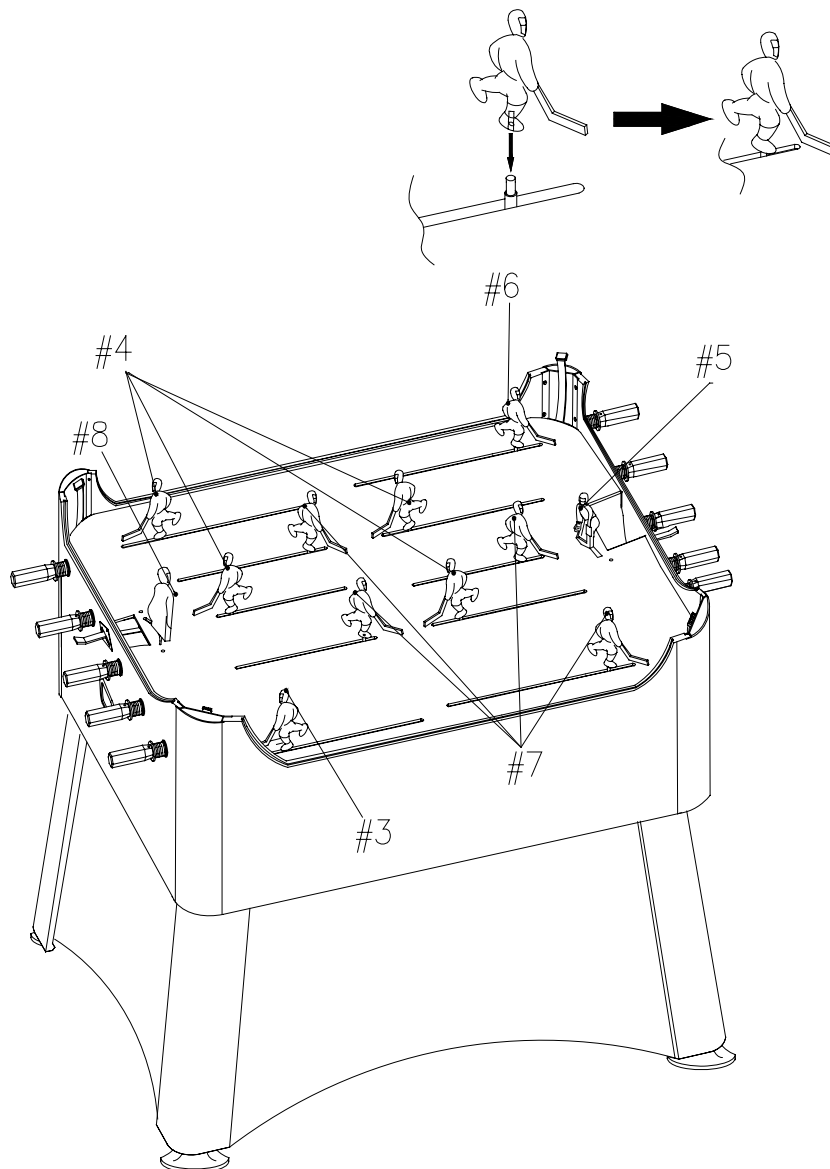
24) With help of another adult, lift the table assembly from the floor, turn it over and set table on its legs in the location where you will play. Go back and make sure that all connections are tight.

**CAUTION:** Two strong adults are recommended to turn the table over as shown.

1. Lift the table off the ground.
2. Turn the table over.
3. Place it on all four feet at the same time on the ground.

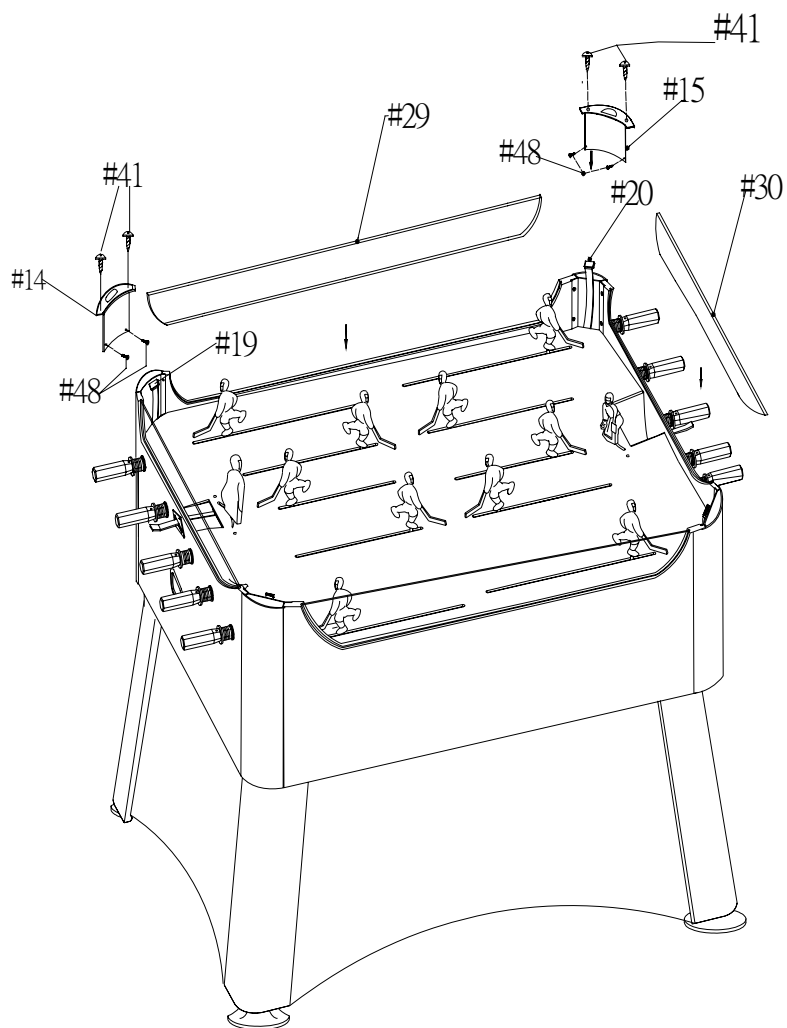


25) Attach the rod hockey player to each player rod by pushing the player into the dowel of the gear mechanism. Make sure the players are installed to the correct player rod as shown in the diagram.



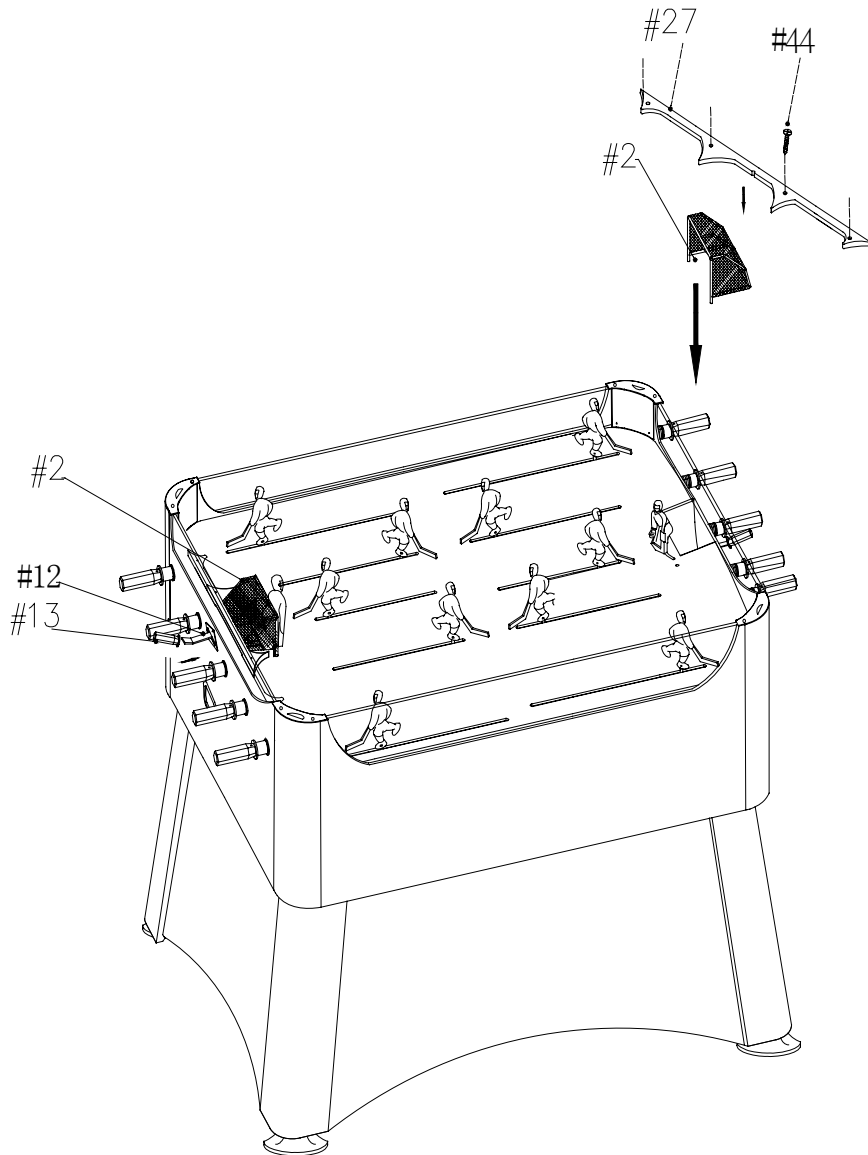
## Step 11

- 26) Attach the two glass insert - long (# 29) onto each top of side panel as shown in the diagram. Next, attach the two glass insert - short (#30) onto each top of end panel as shown in the diagram.
- 27) Attach corner scoreboard (#14 & #15) to the apron corner which has the pre-installed wiring harness (#19 & #20) by connecting to the wiring plug and secure with two screws (#41) and two screws (# 48). NOTE: Make sure the screws (#41) are attached to the top of the corner scoreboard and screws (#48) are attached to the bottom of the apron corner as shown in the diagram.



## Step 12

28) Slide the goalie handle (#13) onto the goalie rod (#12). Insert the hockey goal (#2) into the appropriate holes on each end of the playfield. Place the playfield end (#27) on the playfield so it is up against the end panel. Secure with the small Phillips head screws (#44).



## **PARTS ORDER FORM**

If for some reason you are missing any assembly parts for your Halex game table, please call the Regent Sports Customer Service line at (877) 516-9707 (toll free) between the hours of 10:00am and 5:00pm EST or go online at [www.regent-halex.com](http://www.regent-halex.com) for parts ordering. Please refer to the REGENT SPORTS LIMITED WARRANTY concerning missing and defective parts.

Parts also may be ordered by filling out the form below. Please fill in all the information and return to:

REGENT SPORTS CORP.  
45 RANICK ROAD  
HAUPPAUGE, NEW YORK, 11788  
ATTN: CUSTOMER SERVICE

REGENT SPORTS CORP. requires that all orders for replacement parts must be paid by check, money order, VISA, or MC. Cash is not accepted. Please make all checks or money orders payable to REGENT SPORTS CORP. *Please note all prices include shipping and handling.*

**Name of**

**Purchaser:** \_\_\_\_\_

**Address:** \_\_\_\_\_

**City:** \_\_\_\_\_

**State:** \_\_\_\_\_ **Zip Code:** \_\_\_\_\_

**Phone:** \_\_\_\_\_

<b>PART #</b>	<b>DESCRIPTION</b>	<b>QUANTITY</b>	<b>PRICE</b>	<b>TOTAL COST</b>
194-63551-1	rod handle		\$2.00	
194-63551-2	hockey goal		\$5.00	
194-63551-3	red short stick player		\$5.00	
194-63551-4	red long stick player		\$5.00	
194-63551-5	red goalie		\$5.00	
194-63551-6	blue short stick player		\$5.00	
194-63551-7	blue long stick player		\$5.00	
194-63551-8	blue goalie		\$5.00	
194-63551-9	hockey puck		\$1.00	
194-63551-10	rod bushing		\$1.00	
194-63551-11	puck return		\$5.00	

194-63551-12	goalie control		\$3.50	
194-63551-13	goalie handle		\$1.00	
194-63551-14	corner scoreboard (counter)		\$7.50	
194-63551-15	corner scoreboard (timer)		\$7.50	
194-63551-16	short rod		\$5.00	
194-63551-17	medium rod		\$5.00	
194-63551-18	long rod		\$5.00	
194-63551-19	left wiring harness (long)		\$5.00	
194-63551-20	right wiring harness (short)		\$5.00	
194-63551-21	gear mechanism		\$7.50	
194-63551-22	corner piece		\$5.00	
194-63551-23	L-bracket		\$1.00	
194-63551-24	center support		\$5.00	
194-63551-25	Foam Spacer		\$1.00	
194-63551-26	Leg Leveler		\$5.00	
194-63551-27	playfield end		\$5.00	
194-63551-28	control box		\$10.00	
194-63551-29	long glass insert		\$7.50	
194-63551-30	short glass insert		\$7.50	
194-63551-31	side panel A		\$10.00	
194-63551-32	side panel B		\$10.00	
194-63551-33	end panel		\$10.00	
194-63551-34	playfield		\$10.00	
194-63551-35	end leg panel		\$5.00	
194-63551-36	side leg panel		\$5.00	
194-63551-37	leg		\$10.00	
194-63551-38	3/8" Phillips head screw		\$1.00	
194-63551-39	15/16" bolt		\$1.00	
194-63551-40	1/8" nut		\$1.00	
194-63551-41	1/2" round head screw		\$1.00	
194-63551-42	5/16" x 1-1/4" bolt		\$1.00	
194-63551-43	5/16" flat washer		\$1.00	
194-63551-44	3/4" flat head screw		\$1.00	
194-63551-45	5/16" x 1-1/16" bolt		\$1.00	
194-63551-46	1/2" round head screw		\$1.00	
194-63551-47	13/16" Phillips head screw		\$1.00	
194-63551-48	3/32" Phillips screw		\$1.00	

194-63551-49	1-1/8" bolt		\$1.00	
194-63551-50	3/16" nut		\$1.00	
194-63551-51	3x15MM Phillips screw		\$1.00	
194-63551-52	Adapter		\$5.00	
194-63551-53	Allen key tool		\$1.00	
194-63551-54	sticker sheet		\$2.50	

# **Rod Hockey**

## **Rules of Play**

### **The Object of the Game**

The object of Rod Hockey is to be the first player to score 10 goals against the opposing player.

### **Beginning the Game**

Matches begin with the puck placed in the center of the rink, the 2 center-forwards being on their own side. Face off is made by releasing the puck in the center of the middle circle, the 2 center-forwards being in the position above mentioned. Before releasing the puck, be sure opponent is ready.

### **During Play**

Players attempt to pass the puck to their own players, and utilizing the rods, try to score a goal. If the puck becomes stuck on a part of the table that cannot be reached by a hockey player, the puck needs to be picked up and placed in the center for a new face-off. Each player controls his/her own offense and defense during play. The goalie can be controlled for lateral movement to block shots on goal.

### **Scoring**

A goal is scored when the puck enters and drops inside the opponent's goal.

A face-off is required to after each goal is scored.

### **Winning**

The first player to score 10 points is declared the winner.



Also be sure to check out our web site at:

[www.regent-halex.com](http://www.regent-halex.com)



© 2006

Regent Sports Corporation

Hauppauge, New York