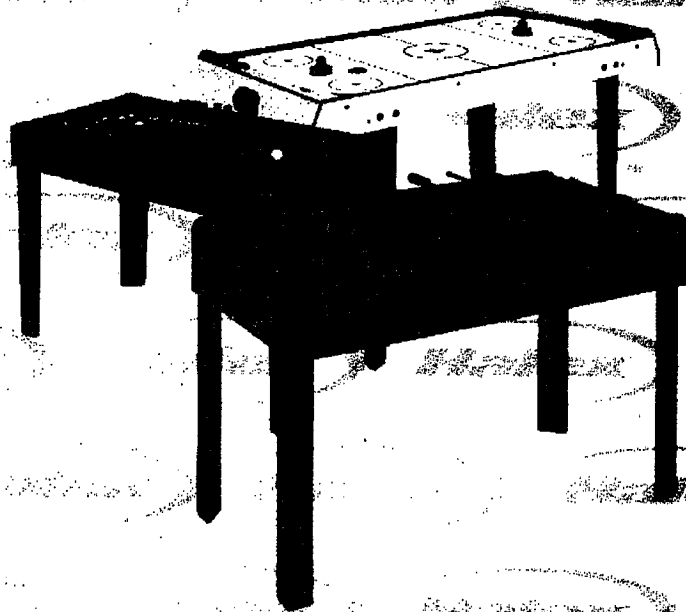


Games

Assembly instructions



63543 WIZO

Should you have a defect or parts issue, please refer to the warranty instructions listed below and contact Regent Sports at our toll free number!!

LIMITED 90 DAY WARRANTY

This Halex product is warranted to be free from defects in workmanship or materials at the time of purchase for a period of 90 (ninety) days. Certain restrictions apply (see below).

Should any evidence of defects appear within the limited warranty period after the date of purchase, Regent Sports will either send replacement parts or advise of another course of action. A list of replaceable parts can be found on the parts order form page of this manual. Parts not listed on this order form are not replaceable. **Table tops, playing surfaces, and main frames are not replaceable.** This warranty covers normal consumer use and does not cover failures, which result from alterations, accidents, misuse, abuse, or neglect.

For prompt warranty service and special offers, please register your Halex product at our customer service center by visiting our website at: www.regent-halex.com. Enter the following unique registration number followed by the item number of your table found on the cover of this manual: 1ZAK7 _____. You must register your product within 30 days of purchase to be eligible for warranty service. Please make sure to visit our website to order additional parts not covered under the warranty, as well as on-line instruction manuals and new product information. You may also order parts by calling our automated voice recognition system (877) 516-8707.

A purchase receipt or other proof of date of purchase will be required before warranty service is performed. Requests for warranty service can be provided by e-mailing the customer service department at cstables@regent-halex.com or by calling customer service at:

877-516-9707 (Toll Free)

10:00 AM to 6:00 PM, EST. (Dec. through Jan.)

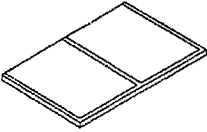
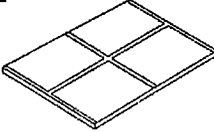
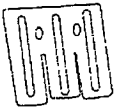
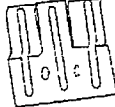

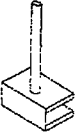
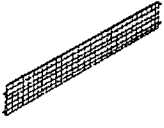

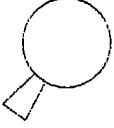
10:00 AM to 5:00 PM, EST. (Feb. through Nov.)

Or send request in writing to:

Regent Sports Corporation
45 Ranick Road
Hauppauge, NY 11788
Attn: Halex Customer Service

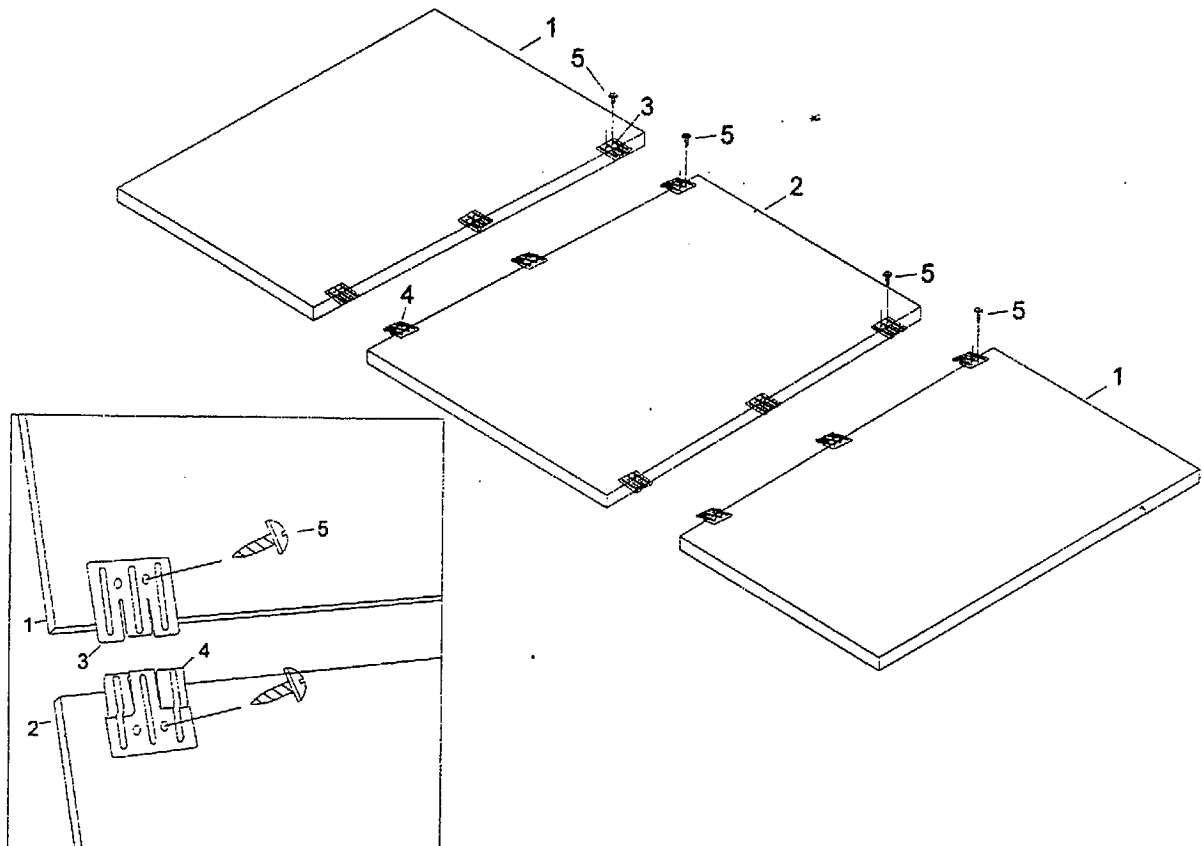
This warranty gives you specific legal rights and you may have other rights that vary from state to state.

Part List

<p>#1</p>  <p>End Table Tennis Field 2 Pieces</p>	<p>#2</p>  <p>Middle Table Tennis Field 1 Piece</p>	<p>#3</p>  <p>Male Metal Plate 6 Pieces</p>	<p>#4</p>  <p>Female Metal Plate 6 Pieces</p>	<p>#5</p>  <p>T4*10MM Screw 24 Pieces</p>
<p>#6</p>  <p>Table Tennis Post 2 Pieces</p>	<p>#7</p>  <p>Table Tennis Net 1 Piece</p>	<p>#8</p>  <p>Table Tennis Ball 2 Pieces</p>	<p>#9</p>  <p>Table Tennis Paddle 2 Pieces</p>	

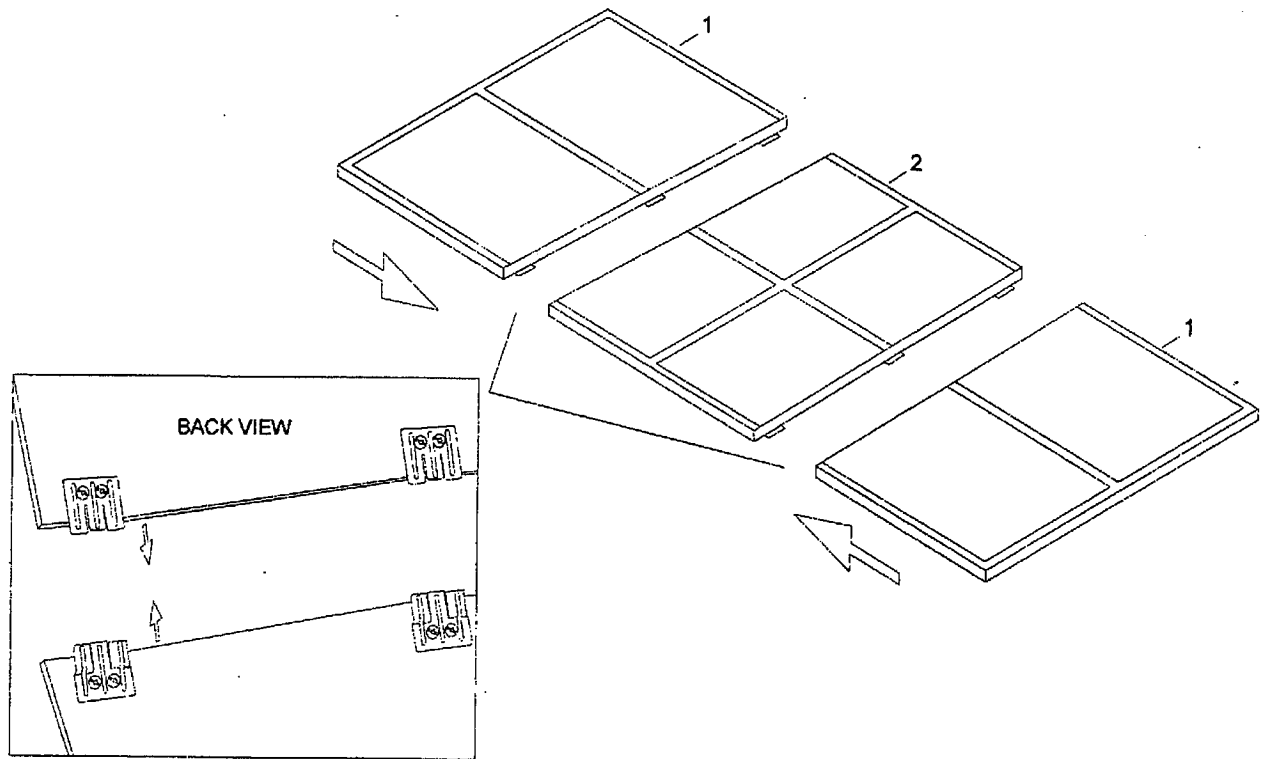
Step 1 –

Place the End Table Tennis Fields #1 and Middle Table Tennis Field #2 on a flat surface. Next attach the Male Metal Plate #3 to the End Table Tennis Fields using the 10mm Screw #5. Next attach the Female Metal Plate #4 to the Middle Table Tennis Field using the 10mm Screw #5.



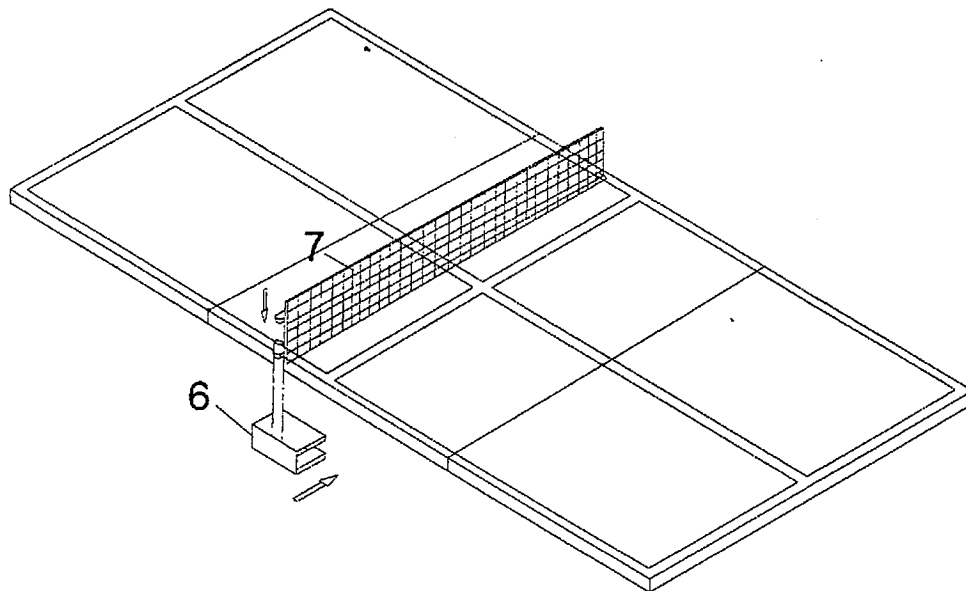
Step 2 –

Carefully, attach the 3 fields by inserting the Male Metal Plates into the Female Metal Plates. Follow the back view diagram.



Step 3 –

Attach the Table Tennis Post #6 to the middle table tennis field. Then slide the Table Tennis Net #7 on the post. Adjust the net length accordingly. Enjoy the game!



PARTS ORDER FORM

If for some reason you are missing any assembly parts for your Halex game table, please call the Regent Sports Customer Service line at (1-877) 516-9707 (toll free) between the hours of 10:00am and 5:00 pm EST or go online at www.regent-halex.com for parts ordering. Please refer to the REGENT SPORTS LIMITED WARRANTY concerning missing and defective parts.

Parts also may be ordered by filling out the form below. Please fill in all the information and return to:

REGENT SPORTS CORP.
45 RANICK ROAD
HAUPPAUGE, NEW YORK, 11788
ATTN: CUSTOMER SERVICE

REGENT SPORTS CORP. requires that all orders for replacement parts must be paid by check, money order, VISA, or MC. Cash is not accepted. Please make all checks or money orders payable to REGENT SPORTS CORP. *Please note all prices include shipping and handling.*

Name of Purchaser: _____
Address: _____
City: _____ Zip Code: _____
State: _____
Phone: _____

Part #	Description	Quantity	Price	Total Cost
197-63543-01	Table Tennis Surface 1	2	\$35.00 ea.	
197-63543-02	Table Tennis Surface 2	1	\$17.50 ea.	
197-63543-03	Male Metal Plate	6	\$5.00 ea.	
197-63543-04	Female Metal Plate	6	\$5.00 ea.	
197-63543-05	10mm Screw	24	\$1.25 ea.	
197-63543-06	Table Tennis Post	2	\$5.00 ea.	
197-63543-07	Table Tennis Net	1	\$5.00 ea.	
197-63543-08	Table Tennis Ball	2	\$3.00 ea.	
197-63543-09	Table Tennis Paddle	2	\$7.50 ea.	

Also be sure to check out our web site at:

www.regent-halex.com

• Parts Ordering • Owners Manual • Product Information



© 2007
Regent Sports Corporation
Hauppauge, New York