

Should you have a defect or parts issue, please refer to the warranty instructions listed below and contact Regent Sports at our toll free number!!

LIMITED 90 DAY WARRANTY

This Halex product is warranted to be free from defects in workmanship or materials at the time of purchase for a period of 90 (ninety) days. Certain restrictions apply (see below).

Should any evidence of defects appear within the limited warranty period after the date of purchase, Regent Sports will either send replacement parts or advise of another course of action. A list of replaceable parts can be found on the parts order form page of this manual. Parts not listed on this order form are not replaceable. **Table tops, playing surfaces, and main frames are not replaceable.** This warranty covers normal consumer use and does not cover failures, which result from alterations, accidents, misuse, abuse, or neglect.

For prompt warranty service and special offers, please register your Halex product at our customer service center by visiting our website at: www.regent-halex.com. Enter the following unique registration number followed by the item number of your table found on the cover of this manual: 1ZAK7 _____. You must register your product within 30 days of purchase to be eligible for warranty service. Please make sure to visit our website to order additional parts not covered under the warranty, as well as on-line instruction manuals and new product information. You may also order parts by calling our automated voice recognition system (877) 516-8707.

A purchase receipt or other proof of date of purchase will be required before warranty service is performed. Requests for warranty service can be provided by e-mailing the customer service department at cstables@regent-halex.com or by calling customer service at:

877-516-9707 (Toll Free)

10:00 AM to 6:00 PM, EST. (Dec. through Jan.)

10:00 AM to 5:00 PM, EST. (Feb. through Nov.)

Or send request in writing to:

Regent Sports Corporation
45 Ranick Road
Hauppauge, NY 11788
Attn: Halex Customer Service

This warranty gives you specific legal rights and you may have other rights that vary from state to state.

Garantie Limitee DE 90 Jours

Ce produit Halex est garanti contre tout vice de fabrication ou de matériaux au moment de l'achat pendant une période de 90 (quatre-vingt-dix) jours. Certaines limites s'appliquent (voir ci-dessous).

Si un vice apparaissait pendant la période de garantie limitée, Regent Sports enverrait des pièces de rechange où prendrait d'autres dispositions. Une liste des pièces de rechange figure sur la page de commande de pièces détachées de la présente notice. Les pièces ne figurent pas sur ce formulaire ne peuvent pas se remplacer. Les plateaux de tables, les surfaces de jeu et les cadres principaux ne peuvent pas se remplacer. Cette garantie s'applique à une utilisation normale par un particulier et exclut les défaillances consécutives à une modification, un accident, une mauvaise utilisation, un manque de soin ou de la négligence.

Pour obtenir une exécution rapide de la garantie et prendre connaissance des offres spéciales, veuillez enregistrer votre produit Halex auprès de notre centre de service à la clientèle en visitant notre site internet à : www.regent-halex.com, saisissez le numéro d'enregistrement unique suivant et le numéro de référence de votre table qui se trouve sur la couverture de la présente notice : 1ZAK7___. Vous pouvez également enregistrer le produit que vous avez acheté sur notre système de reconnaissance vocale au numéro gratuit indiqué ci-dessous. Vous devez enregistrer le produit dans les 30 jours qui suivent la date d'achat pour pouvoir bénéficier du service de garantie. Ne manquez pas de visiter notre site internet pour commander des pièces non couvertes par la garantie ainsi que pour trouver des notices en ligne et les informations concernant les produits nouveaux. Vous pouvez également commander des pièces détachées en utilisant notre système de reconnaissance vocale automatisé.

Un reçu ou autre preuve d'achat sera exigé avant d'exécuter tout recours à la garantie. Vous pouvez faire parvenir les demandes d'exécution de la garantie par courrier électronique en les adressant au service à la clientèle à ctables@regent-halex.com ou en appelant le service à la clientèle au :

877-516-9707 (Toll Free)

10 h à 18 h, HNE. (Décembre à Janvier)

10 h à 17 h, HNE (Février à Novembre)

Ou en envoyant la demande par écrit à :

Regent Sports Corporation

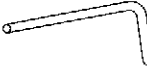
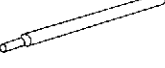
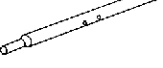


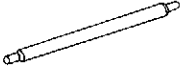

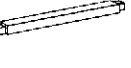
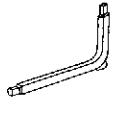
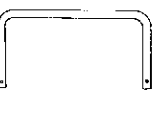
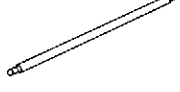
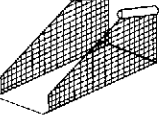
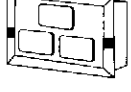
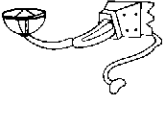
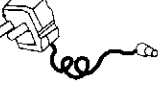

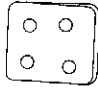


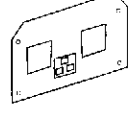

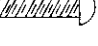

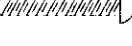
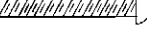
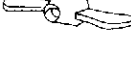



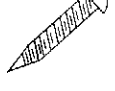

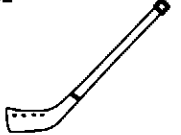


45 Ranick Road

Hauppauge, NY 11788

Attn: Halex Customer Service

Cette garantie vous donne des droits spécifiques face à la loi et il se peut que vous en ayez d'autres, variables selon les états.

Assembly Parts

<p>1</p>  <p>NET HANGER TUBE 1-1/8" DIA. 2PCS</p>	<p>2</p>  <p>VERTICAL BOARD MOUNTING SUPPORT TUBE 1-1/8" DIA. 2PCS</p>	<p>3</p>  <p>VERTICAL SUPPORT TUBE 1-1/8" DIA. 2PCS</p>	<p>4</p>  <p>LEFT HORIZONTAL FRAME BRACE, SQUARE 25X25MM 1PC</p>	<p>5</p>  <p>RIGHT HORIZONTAL FRAME BRACE, SQUARE 25X25MM 1PC</p>
<p>6</p>  <p>ANGLE TOP FRAME SUPPORT TUBE 1-1/8" DIA. 2PCS</p>	<p>7</p>  <p>ANGLE BOTTOM FRAME SUPPORT TUBE 1-1/8" DIA. 2PCS</p>	<p>8</p>  <p>MIDDLE RAMP SUPPORT SQUARE TUBE 25X25MM 2PCS</p>	<p>9</p>  <p>FRONT RAMP SUPPORT SQUARE TUBE 25X25MM 2PCS</p>	<p>10</p>  <p>FRONT HORIZONTAL RAMP SUPPORT SQUARE TUBE 25X25MM 1PC</p>
<p>11</p>  <p>HORIZONTAL CROSS BRACE 1/2" DIA. 1PC</p>	<p>12</p>  <p>BALL RAMP WITH SIDE NETTING 1PC</p>	<p>13</p>  <p>ELECTRONIC SCORER 1PC</p>	<p>14</p>  <p>SWITCH AND PADDLE ASSEMBLY 2PCS</p>	<p>15</p>  <p>110V ADAPTER 1PC</p>
<p>16</p>  <p>RIM ASSEMBLY 2PCS</p>	<p>17</p>  <p>RIM SUPPORT PLATE, METAL 2PCS</p>	<p>18</p>  <p>INFLATION PUMP WITH NEEDLE 4" 1PC</p>	<p>19 (PRE-INSTALLED)</p>  <p>NET 2PCS</p>	<p>20</p>  <p>BACKBOARD 1PC</p>
<p>21</p>  <p>M6 WASHER 88PCS</p>	<p>22</p>  <p>M6X25MM BOLT 16PCS</p>	<p>23</p>  <p>M6X35MM BOLT 2PCS</p>	<p>24</p>  <p>M6X40MM BOLT 12PCS</p>	<p>25</p>  <p>M6X45MM BOLT 4PCS</p>
<p>26</p>  <p>SMALL WING NUT 30PCS</p>	<p>27</p>  <p>FOLDING LOCK PIN 2PCS</p>	<p>28</p>  <p>SIZE#3 BASKETBALL 7" DIA. 4PCS</p>	<p>29</p>  <p>LARGE WING NUT 4PCS</p>	<p>30</p>  <p>M3X12MM BOLT 6PCS</p>
<p>31</p>  <p>6" SOCCER BALL 2PCS</p>	<p>32</p>  <p>HOCKEY STICK 2PCS</p>	<p>33</p>  <p>3" x 1" HOCKEY PUCK 2PCS</p>	<p>34</p>  <p>HOCKEY/ SOCCER NET 1PCS</p>	

Assembly Instructions

Estimated Assembly Time: 2 people 30 minutes

Tools Required: Screwdriver.

Step #1:

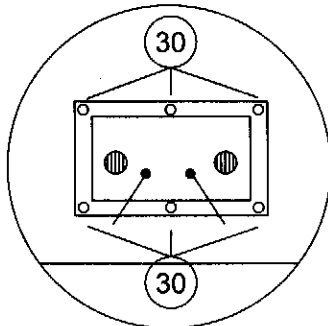
Attach the rim assemblies and rim support plates to the backboard using the M6 x 25mm bolts, M6 washers and small wing nuts. Make sure that you use M6 washer on both sides of the backboard.

Step #2:

Attach the switch and paddle assembly (#14) to the back board (#20) by using the M6 x 25mm bolts (#22), M6 washers (#21) and small wing nuts (#26). Next, attach the electronic scorer (#13) to the back board (#20) by using bolts (#30).

Make sure that you use the M6 washers (#21) on both sides of the backboard (#20).

Back view of Scoring Unit



NOTE: Remove AC Adapter from box. Insert AC plug into slot on scoring unit. Insert AC Adapter into 110 Volt wall outlet. Turn Scoring unit "ON",

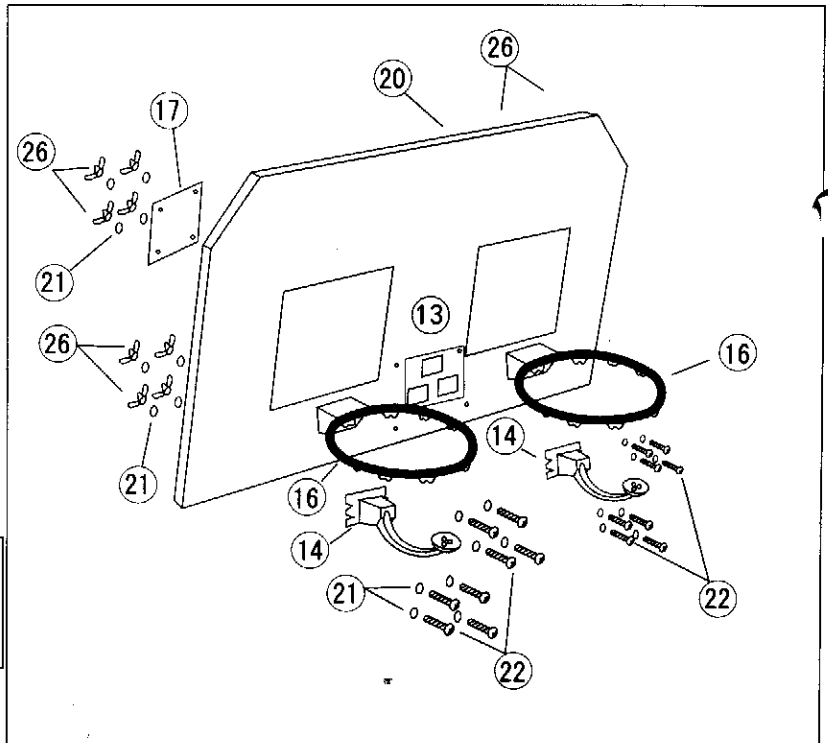


Fig. 1

Step #3:

Attach the net hanger tubes (#1) to the vertical board mounting support tube (#2), and then attach the vertical board mounting support tube (#2) to the vertical support tube (#3) as shown in Figure 2.

Simply snap each tube together.

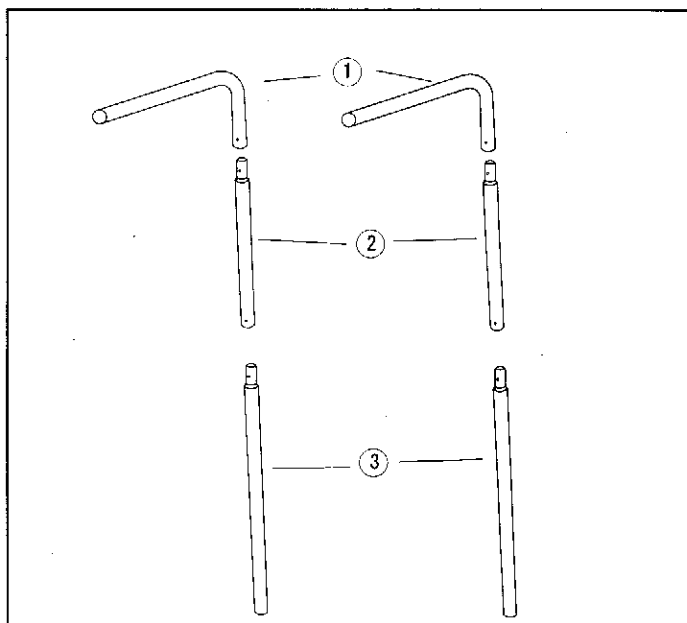


Fig. 2

Step#4:

Attach the back board set up to the support tube assembly (#1, #2, #3) that was completed in the previous step by using the M6 x 45mm bolts (#25), M6 washers (#21) and large wing nuts (#29).

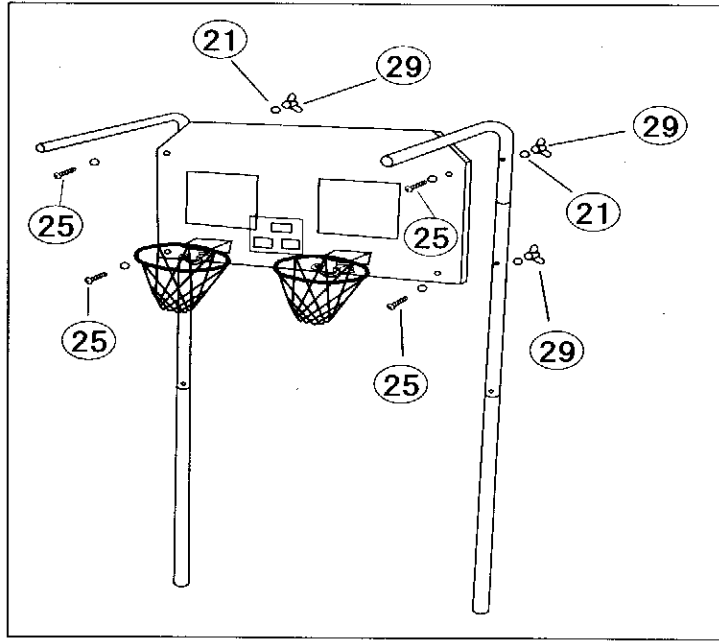


Fig. 3

Step #5:

Attach the top angle support tubes (#6) to the bottom angle support tubes (#7) as shown in Figure 4.

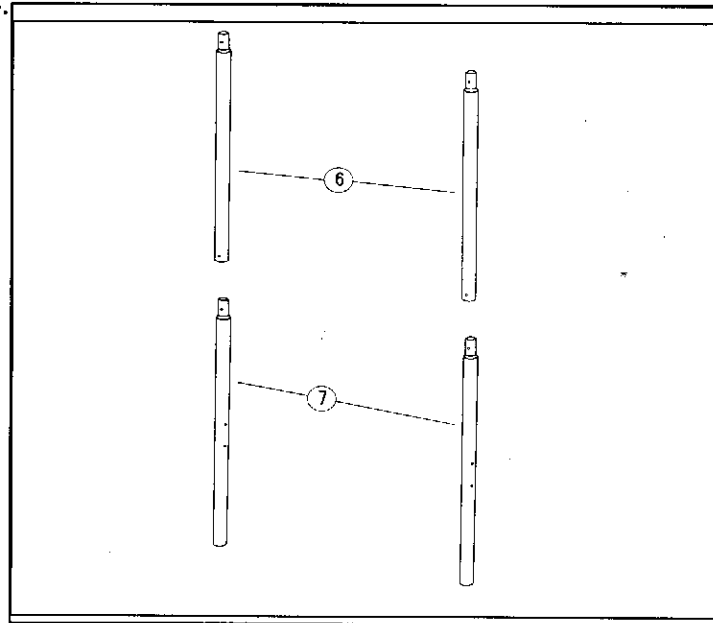


Fig. 4

Step #6:

Next, attach the left and right horizontal frame braces (#4 and #5) together.

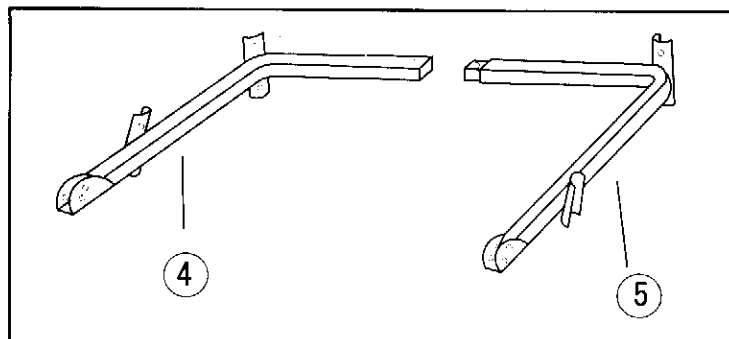


Fig. 5

Step #7:

Attach the side angle brace assembly (#6 and #7) to the back board assembly by using the M6 x 40mm bolts (#24), M6 washers (#21) and small wings nuts (#26).

Step #8:

Attach the horizontal frame brace assembly (#4 and #5) to the back board frame assembly by using the M6 x 40mm bolts (#24), M6 washers (#21) and small wings nuts (#26). Next, secure the assembly to the side angle brace assembly (#6 and #7) by using the M6 x 40mm bolts (#24), M6 washers (#21) and small wings nuts (#26).

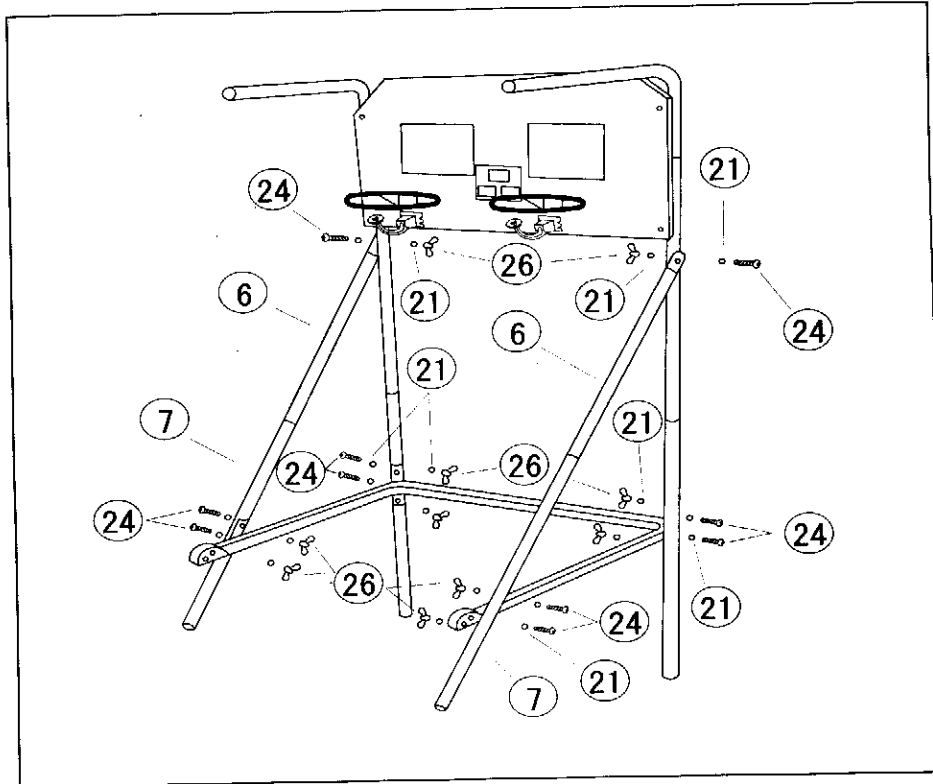


Fig. 6

Step #9:

Assemble the ramp supports (#8, #9 and #10) as shown in Figure 7. Next, attach the ramp supports (#8, #9, #10) to the horizontal brace assembly (#4 and #5) by using the M6 x 40mm bolts (#24), M6 washers (#21) and small wings nuts (#26). Finally, attach the folding lock pin (#27) as shown.

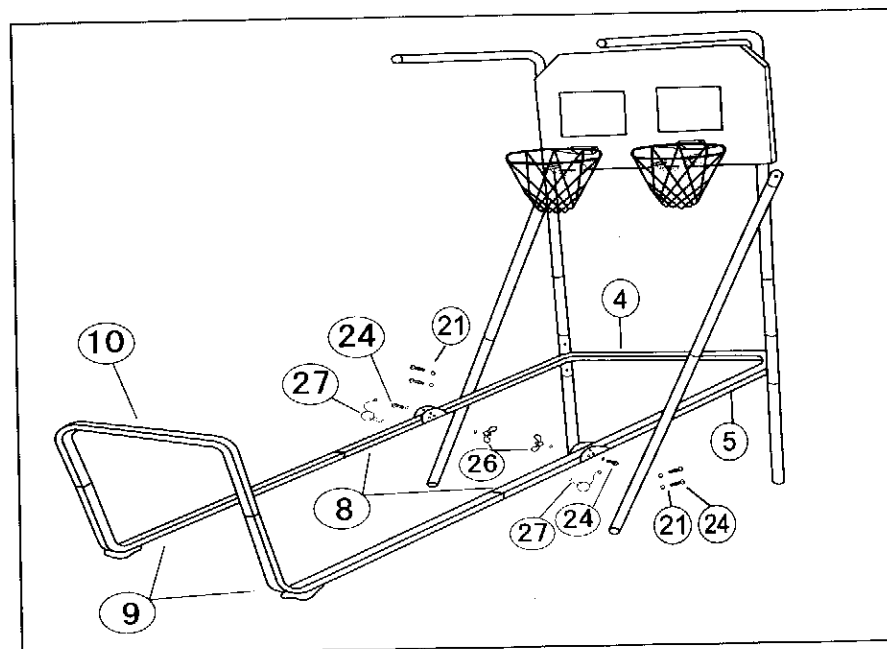


Fig. 7

Step #10:

Attach the ball ramp with side netting (#12) by sliding the top sleeves over the support arms as shown in Figure 8. Next, secure the bottom of the ramp with the horizontal cross brace (#11) by sliding the brace through the bottom of the ramp, and attaching it to the ramp supports using the M6 x 35mm bolts (#23), M6 washers (#21) and small wing nuts (#26). Enjoy the game!

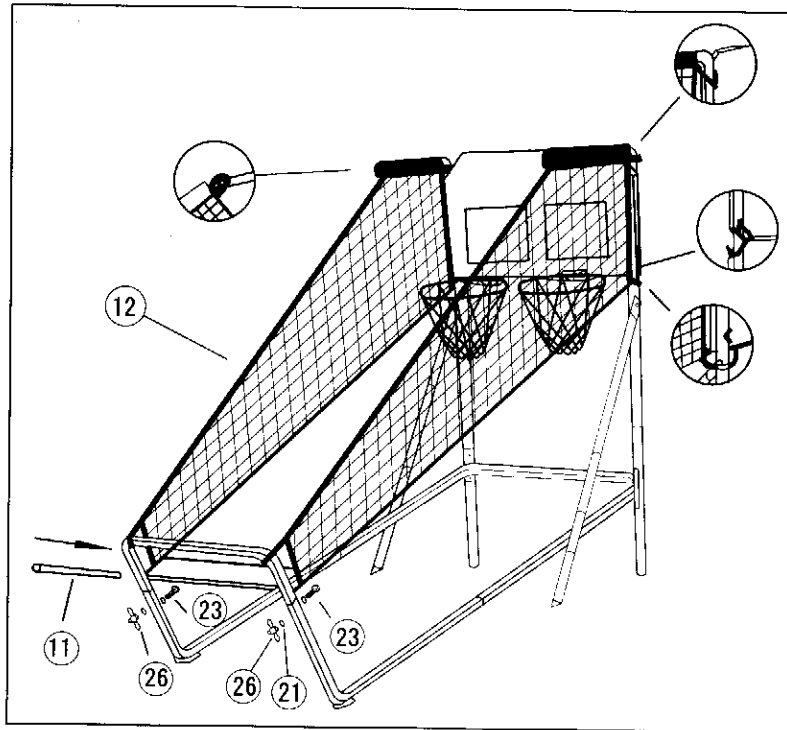


Fig. 8

Step #11:

Slide Soccer Net #34 over sections #9 and reconnect all sections once completed. Secure Velcro end loop of ball ramp to section #10.

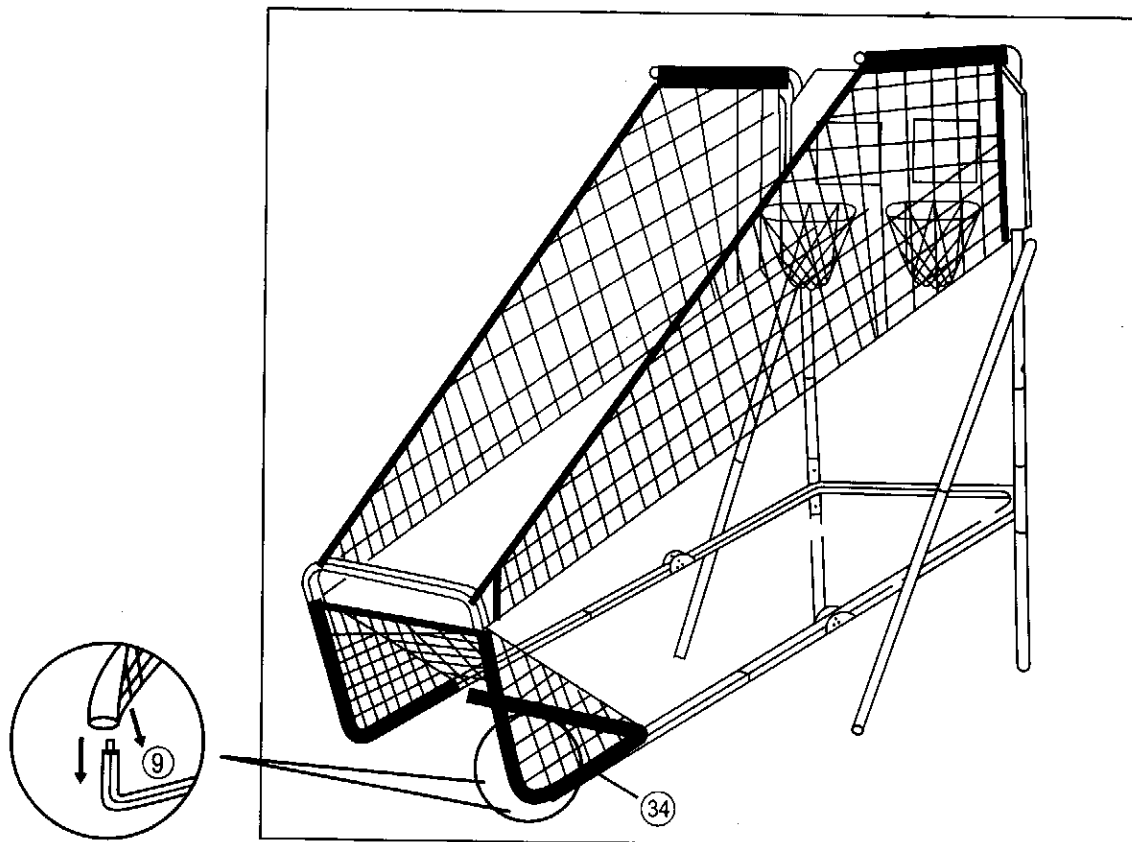


Fig. 9

1 Year Limited Warranty on Parts

The manufacturer warranties, to the original purchaser/consumer of this product, for 1 Year from the date of purchase, when used for the purpose of normal play, to be free of defects in workmanship and materials.

This warranty does not apply when the Game Table:

1. Fails due to abuse, neglect, abnormal wear or improper assembly.
2. Is used for commercial or rental purposes.
3. Is repaired or altered in any unauthorized manner.

A copy of your sales receipt will be required for the replacement parts service.

Please call our Consumer Service Department, Monday - Friday, 9:00a.m. - 5:00 p.m. E.S.T. at 1-866-616-0393.

PARTS ORDER FORM

If for some reason you are missing any assembly parts for your Halex game table, please call the Regent Sports Customer Service line at (1877) 516-9707 (toll free) between the hours of 10:00am and 5:00 pm EST or go online at www.regent-halex.com for parts ordering. Please refer to the REGENT SPORTS LIMITED WARRANTY concerning missing and defective parts. Parts also may be ordered by filling out the form below. Please fill in all the information and return to:

REGENT SPORTS CORP.
45 RANICK ROAD
HAUPPAUGE, NEW YORK, 11788
ATTN: CUSTOMER SERVICE

REGENT SPORTS CORP. requires that all orders for replacement parts must be paid by check, money order, VISA, or MC. Cash is not accepted. Please make all checks or money orders payable to REGENT SPORTS CORP. *Please note all prices include shipping and handling.*

Name of Purchaser: _____
Address: _____
City: _____
State: _____ Zip Code: _____
Phone: _____

Part #	Description	Quantity	Price	Total Cost
197-60019-01	Net Hanger Tube	2	\$14.00 ea.	
197-60019-02	Vertical Board Mounting Tube	2	\$12.50 ea.	
197-60019-03	Vertical Support Tube	2	\$12.50 ea.	
197-60019-04	Left Horizontal Square Brace	1	\$14.00 ea.	
197-60019-05	Right Horizontal Square Brace	1	\$14.00 ea.	
197-60019-06	Angle Top Frame Tube	2	\$12.50 ea.	
197-60019-07	Angle Bottom Frame Tube	2	\$12.50 ea.	
197-60019-08	Middle Ramp Square	2	\$12.50 ea.	
197-60019-09	Front Ramp Square	2	\$12.50 ea.	
197-60019-10	Front Horizontal Ramp Square	1	\$16.00 ea.	
197-60019-11	Horizontal Cross Brace	1	\$12.50 ea.	
197-60019-12	Ball Ramp With Side Netting	1	\$25.00 ea.	
197-60019-13	Electronic Scorer	1	\$15.00 ea.	
197-60019-14	Switch and Paddle Assembly	2	\$7.50 ea.	
197-60019-15	110V Adapter	1	\$12.00 ea.	
197-60019-16	Rim Assembly	2	\$7.50 ea.	
197-60019-17	Rim Support Plate	2	\$2.00 ea.	
197-60019-18	Inflation Pump with Needle	1	\$3.00 ea.	
197-60019-19	Net	2	\$3.00 ea.	
197-60019-20	Backboard	1	\$25.00 ea.	
197-60019-21	M6 Washer	68	\$1.25 ea.	
197-60019-22	M6 x 25mm Bolt	16	\$1.25 ea.	
197-60019-23	M6 x 35mm Bolt	2	\$1.25 ea.	
197-60019-24	M6 x 40mm Bolt	12	\$1.25 ea.	
197-60019-25	M6 x 45mm Bolt	4	\$1.25 ea.	
197-60019-26	Small Wing Nut	30	\$1.25 ea.	
197-60019-27	Folding Lock Pin	2	\$2.00 ea.	
197-60019-28	Basketball	4	\$5.00 ea.	
197-60019-29	Large Win Nut	4	\$1.25 ea.	
197-60019-30	M3 x 12MM Screw	6	\$1.25 ea.	
197-60019-31	Ø 6" Soccer Ball	2	\$3.00 ea.	
197-60019-32	Hockey Stick	2	\$4.00 ea.	
197-60019-33	Hockey Puck	2	\$5.00 ea.	
197-60019-34	Hockey / Soccer Net	1	\$7.00 ea.	

Also be sure to check out our web site at:

www.regent-halex.com

• Parts Ordering • Owners Manual • Product Information



© 2006
Regent Sports Corporation
Hauppauge, New York