

Should you have a defect or parts issue, please refer to the warranty instructions listed below and contact Regent Sports at our toll free number!!

LIMITED 90 DAY WARRANTY

This Halex product is warranted to be free from defects in workmanship or materials at the time of purchase for a period of 90 (ninety) days. Certain restrictions apply (see below).

Should any evidence of defects appear within the limited warranty period after the date of purchase, Regent Sports will either send replacement parts or advise of another course of action. A list of replaceable parts can be found on the parts order form page of this manual. Parts not listed on this order form are not replaceable. **Table tops, playing surfaces, and main frames are not replaceable.** This warranty covers normal consumer use and does not cover failures, which result from alterations, accidents, misuse, abuse, or neglect.

For prompt warranty service and special offers, please register your Halex product at our customer service center by visiting our website at: www.regent-halex.com. Enter the following unique registration number followed by the item number of your table found on the cover of this manual: 1ZAK7 _____. You must register your product within 30 days of purchase to be eligible for warranty service. Please make sure to visit our website to order additional parts not covered under the warranty, as well as on-line instruction manuals and new product information. You may also order parts by calling our automated voice recognition system (877) 516-8707.

A purchase receipt or other proof of date of purchase will be required before warranty service is performed. Requests for warranty service can be provided by e-mailing the customer service department at cstables@regent-halex.com or by calling customer service at:

877-516-9707 (Toll Free)

10:00 AM to 6:00 PM, EST. (Dec. through Jan.)

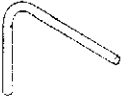

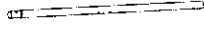


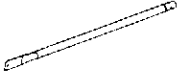
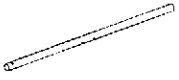
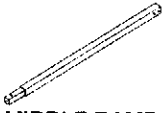
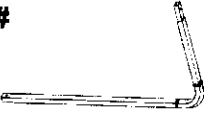


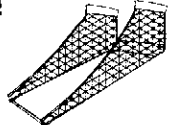
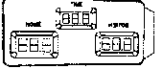




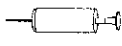

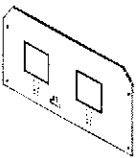
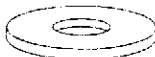




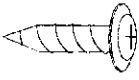






10:00 AM to 5:00 PM, EST. (Feb. through Nov.)

Or send request in writing to:

Regent Sports Corporation
45 Ranick Road
Hauppauge, NY 11788
Attn: Halex Customer Service

This warranty gives you specific legal rights and you may have other rights that vary from state to state.

Assembly Parts

<p>1#</p>  <p>NET HANGER TUBE 1-1/8"DIA 2pcs</p>	<p>2#</p>  <p>VERTICAL BOARD MOUNTING SUPPORT TUBE 2pcs</p>	<p>3#</p>  <p>VERTICAL SUPPORT TUBE 1-1/8 DIA 2pcs</p>	<p>4#</p>  <p>NET HORIZONTAL FRAME BRACE SQUARE 25x25MM 1pc</p>	<p>5#</p>  <p>BOLT HORIZONTAL FRAME BRACE SQUARE 25x25MM 1pc</p>
<p>6#</p>  <p>ANGLE TOP FRAME SUPPORT TUBE 1-1/8 DIA 2pcs</p>	<p>7#</p>  <p>ANGLE BOTTOM FRAME SUPPORT TUBE, 1-1/8MM 2pcs</p>	<p>8#</p>  <p>MIDDLE RAMP SUPPORT SQUARE TUBE 25x25MM 2pcs</p>	<p>9#</p>  <p>FRONT RAMP SUPPORT SQUARE TUBE, 25x25MM 2pcs</p>	<p>10#</p>  <p>FRONT HORIZONTAL RAMP SUPPORT SQUARE TUBE 25x25MM 1pc</p>
<p>11#</p>  <p>HORIZONTAL CROSS BRACE 1/2" DIA 1pc</p>	<p>12#</p>  <p>BALL RAMP WITH SIDE NETTING 1pc</p>	<p>13#</p>  <p>ELECTRONIC SCORER 1pc</p>	<p>14#</p>  <p>SWITCH AND PADDLE ASSEMBLY 2pcs</p>	<p>15#</p>  <p>110V ADAPTER 1pc</p>
<p>16#</p>  <p>RIM ASSEMBLY 2pcs</p>	<p>17#</p>  <p>RIM SUPPORT PLATE, MATEL 2pcs</p>	<p>18#</p>  <p>INFLATION BUMP WITH NEEDLE 4" 1pc</p>	<p>19# (PRE-INSTALLED)</p>  <p>NET 2pc</p>	<p>20#</p>  <p>BACKBOARD 1pc</p>
<p>21#</p>  <p>WASHER 1/4" \square 68pcs</p>	<p>22#</p>  <p>BOLT 1/4 25mm 16pcs</p>	<p>23#</p>  <p>BOLT 1/4 40mm 12pcs</p>	<p>24#</p>  <p>BOLT 1/4 45mm 6pcs</p>	<p>25#</p>  <p>WING NUT 1/4" \square 34pcs</p>
<p>26#</p>  <p>BOLT PWA3.5X12mm 6pcs</p>	<p>27#</p>  <p>FOLDING LOCK PIN 2pcs</p>	<p>28#</p>  <p>HOCKEY/SOCCER NET 1pc</p>	<p>29#</p>  <p>HOCKEY STICK 2pcs</p>	<p>30#</p>  <p>HOCKEY PUCK 2pcs</p>
<p>31#</p>  <p>SIZE #3 BASKETBALL 7" DIA. 4pcs</p>	<p>32#</p>  <p>SOCCER BALL 2pcs</p>			

13		= (1)
14		= (2)
16		= (2)
17		= (2)
19		= (2)
20		= (1)
21		= (32)
22		= (16)
25		= (16)
26		= (6)

Assembly Instruction

Estimated Assembly time: 2 people in 30 minute

Tools require: Screw driver

Step # 1: Attach the rim assemblies (#16) and rim support plates (#17) to the backboard (#20) using the 1/4 25mm (#22), 1/4 washers (#21) and wing nuts (#25), Make sure that you use 1/4 washer(#21) on both sides of the backboard(#20)

Step # 2: Attach the switch and paddle assembly(#14) to the back board (#20) by using the 1/4x25mm bolts(#22), 1/4 washer(#21) and wing nuts (#25). Next, attach the electronic scorer (#13) to the back board (#20) by using bolts (#26). make sure that you use the 1/4 washer(#21) on both side of the back board (#20)

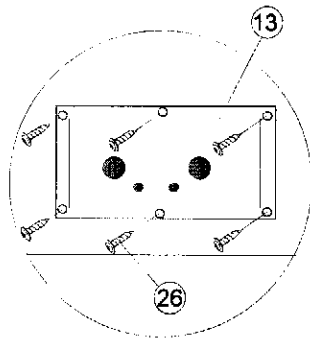


Fig. 1-A

NOTE: Remove AC adapter from box. Insert AC plug into slot on scoring unit. Insert AC Adapter into 110 Volt wall outlet. Turn Scoring unit "ON".

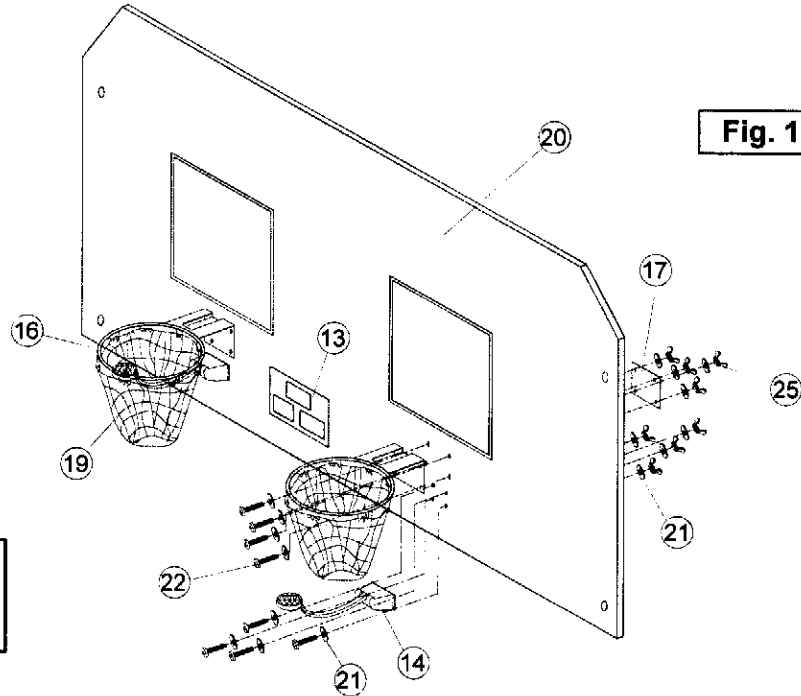


Fig. 1

1		= (2)
2		= (2)
3		= (2)

Step 3:

Attach the net hanger tubes(#1) to the vertical board mounting support tube(#2), and then attach the vertical board mounting support tube(#2) to the vertical support tube(#3) as shown in Figure 2. Simply snap each tube together.

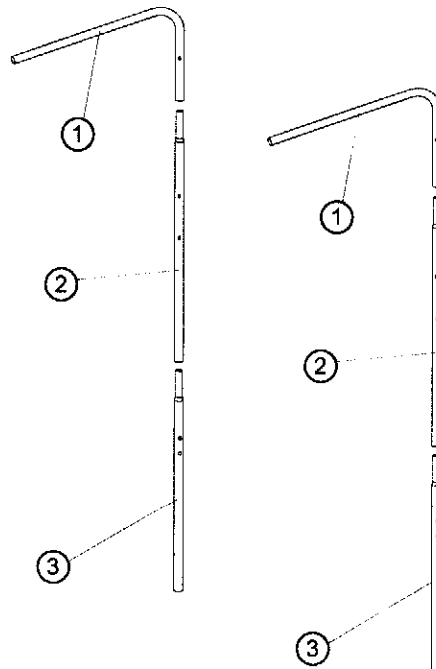
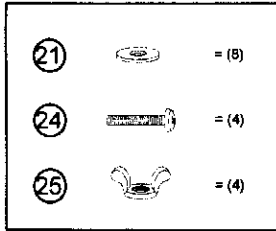


Fig. 2



Step 4: Attach the back board set up to the support tube assembly (#1,#2,#3) that was completed in the previous step by using the 1/4 x45mm bolts(#24), 1/4 washers (#21) and wing nuts (#25) as shown in Figure 3.

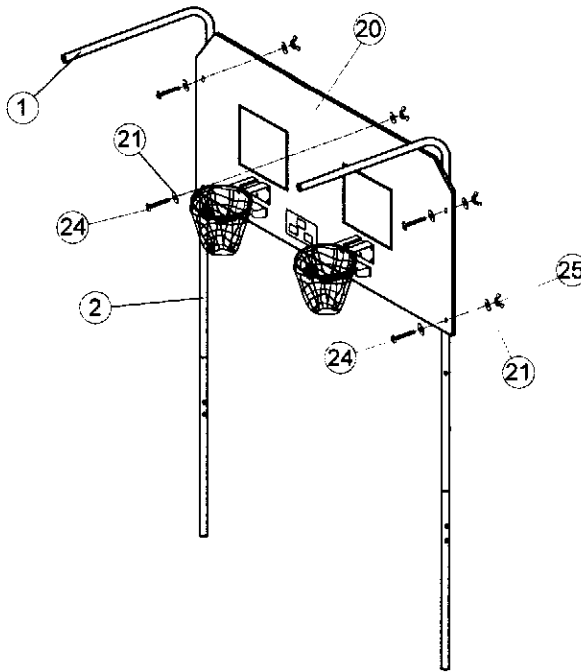
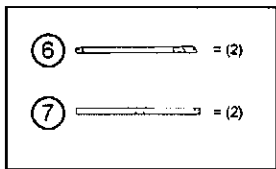


Fig. 3



Step 5: Attach the top angle frame support tubes(#6) to the bottom angle frame support tubes (#7) as shown in Figure 4.

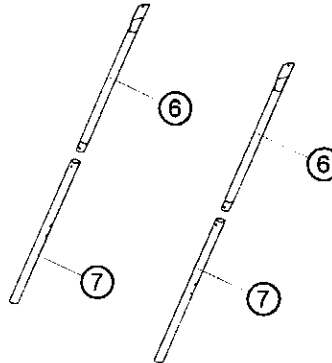
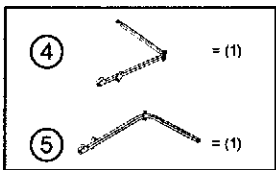


Fig. 4



Step 6: Next attach the left and right horizontal frame braces (#4 and #5) together as shown in Figure 5.

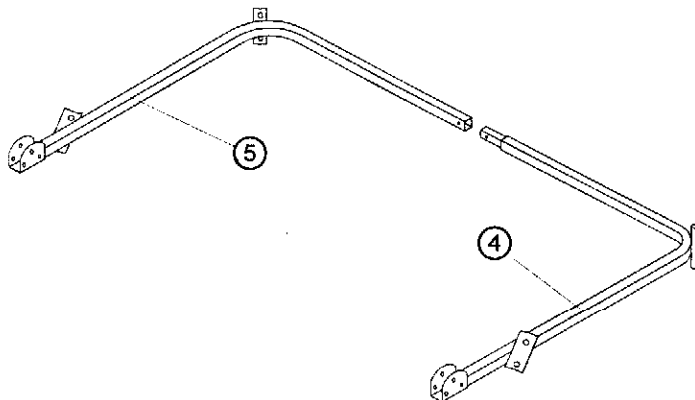
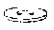




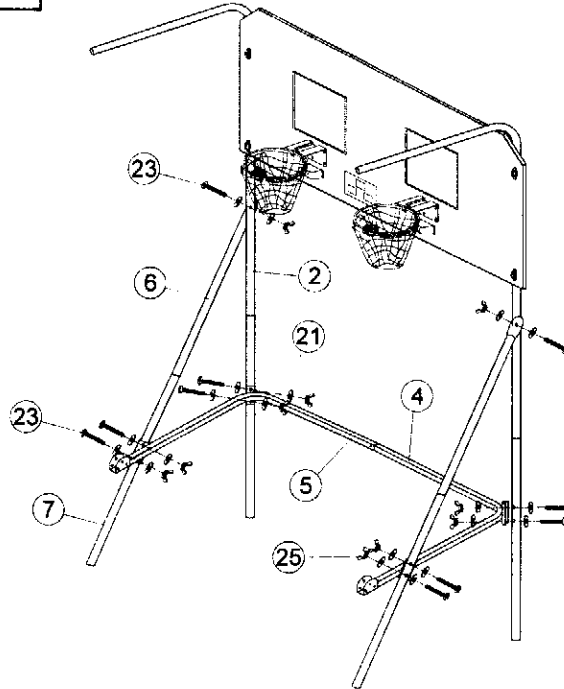
Fig. 5

21		= (20)
23		= (10)
25		= (10)

Step 7: Attach the back board set up to the support tube assembly(#1,#2,#3) that was complete in the previous step by using the 1/4 40mm bolts (#23), 1/4 washer(#21) and wing nuts (#25).

Step 8: Attach the top angle support tubes(#6) to the bottom angle support tubes(#7) .

Step 9: Next, attach the left and right horizontal frame braces (#4 and #5) together.








Step 10:

attach the side angle brace assembly (#6 and #7) to the back board assembly by using the 1/4x40mm bolts (#23), 1/4 washers (#21) and wings nuts(#25).

Step 11:

Attach the horizontal frame brace assembly (#4 and #5) to the back board frame assembly by using the 1/4x40mm bolts (#23), 1/4 washers (#21) and wings nuts (#25). Next, secure the assembly to the side angle brace assembly (#6 and #7) by using the 1/4x40mm bolt (#23), 1/4 washers (#21) and wings nuts (#25).

Fig. 6

21		= (4)
24		= (2)
25		= (2)
27		= (2)
28		= (1)

Step.12

Attach the Front Ramp Support (#9) with Middle Ramp Support(#8). Install the Basketball End Net(#28), then attach Front Horizontal Ramp Support(#10), as showing in Figure.7. Next, attach the ramp support (#8,#9 and #10) to the horizontal brace assembly (#4 and #5) by using the 1/4 45mm bolts (#24), 1/4 washers(#21) and wings nuts (#25). Finally, attach the folding lock pin (#27) as shown.

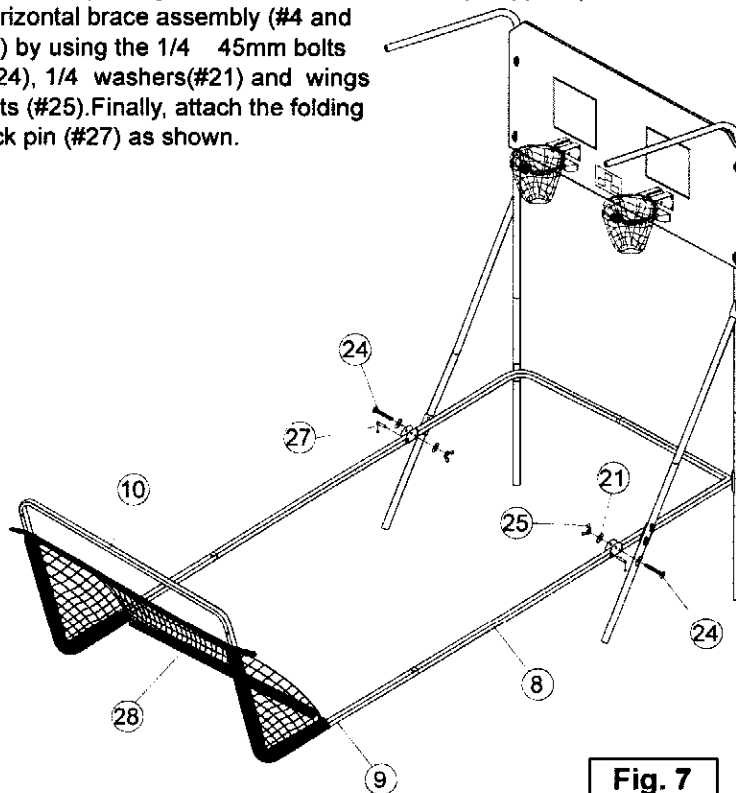
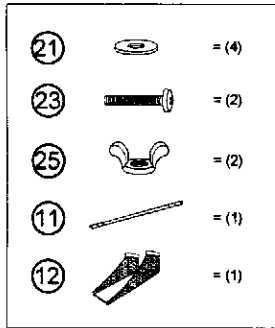


Fig. 7



Step.13:

Attach the ball ramp with side netting (#12) by sliding the top sleeves over the support arms as shown in Figure 8. next, secure the bottom of the ramp with the horizontal cross brace(#11) by sliding the brace through the bottom of the ramp, and attach it to the ramp supports using the 1/4 40mm bolts(#23), 1/4 washers(#21) and wing nuts (#25). Enjoy the game.

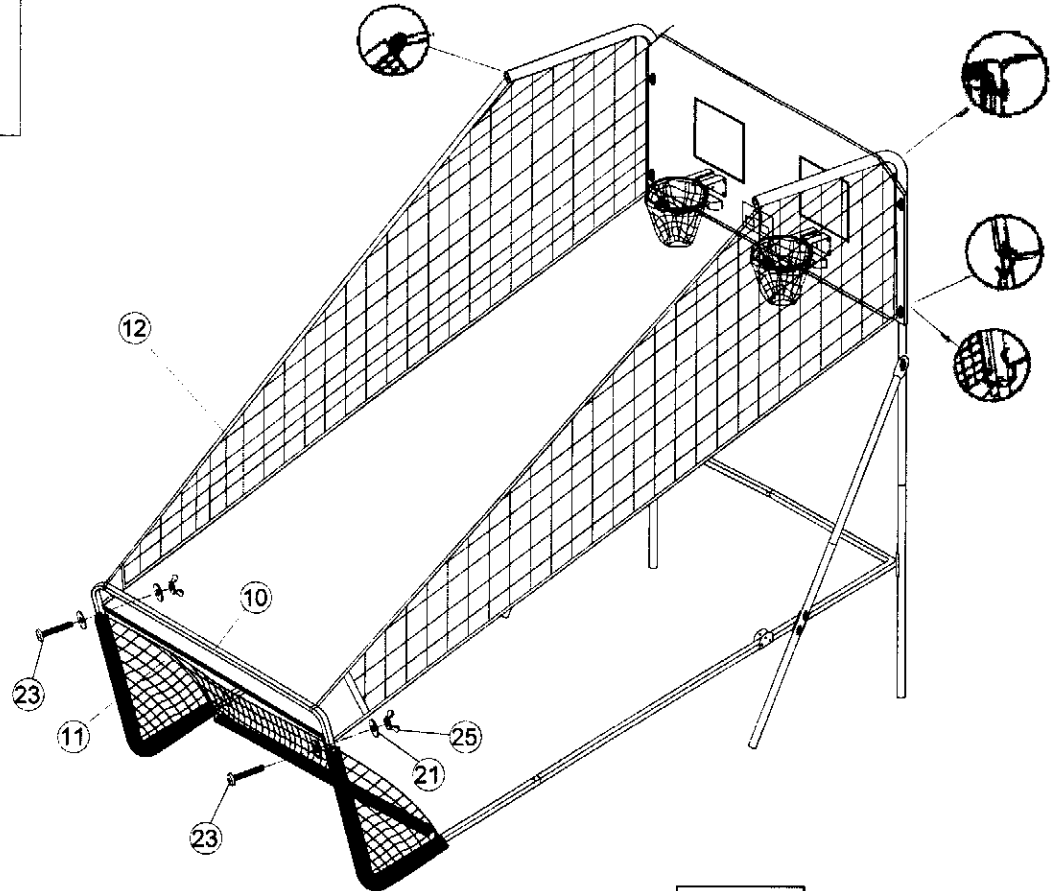


Fig. 8

1 Year Limited Warranty on Parts.

The manufacturer warrants, to the original purchaser/consumer of this product, for 1 year from the date of purchase, when used for the purpose of normal play, to be free of defects in workmanship and materials.

This warranty does not apply when the Game Table:

1. Fails due to abuse, neglect, abnormal wear or improper assembly.
2. Is used for commercial or rental purpose.
3. Is repaired or altered in any unauthorized manner.

A copy of your sales receipt will be required for the replacement parts service.

Please call our Customer Service Department, Monday - Friday 9:00am - 5:00pm
E.S. T. at 1-866-616-0393.

PARTS ORDER FORM

If for some reason you are missing any assembly parts for your Halex game table, please call the Regent Sports Customer Service line at (1877) 516-9707 (toll free) between the hours of 10:00am and 5:00 pm EST or go online at www.regent-halex.com for parts ordering. Please refer to the REGENT SPORTS LIMITED WARRANTY concerning missing and defective parts.

Parts also may be ordered by filling out the form below. Please fill in all the information and return to:

REGENT SPORTS CORP.
45 RANICK ROAD
HAUPPAUGE, NEW YORK, 11788
ATTN: CUSTOMER SERVICE

REGENT SPORTS CORP. requires that all orders for replacement parts must be paid by check, money order, VISA, or MC. Cash is not accepted. Please make all checks or money orders payable to REGENT SPORTS CORP. *Please note all prices include shipping and handling.*

Name of Purchaser: _____

Address: _____

City: _____

State: _____ **Zip Code:** _____

Phone: _____

Part #	Description	Quantity	Price	Total Cost
119-60019-01	Net Hanger Tube	2	\$14.00	
119-60019-02	Vertical Board Mounting Tube	2	\$12.50	
119-60019-03	Vertical Support Tube	2	\$12.50	
119-60019-04	Left Horizontal Square Brace	1	\$14.00	
119-60019-05	Right Horizontal Square Brace	1	\$14.00	
119-60019-06	Angle Top Frame Tube	2	\$12.50	
119-60019-07	Angle Bottom Frame Tube	2	\$12.50	
119-60019-08	Middle Ramp Square Tube	2	\$12.50	
119-60019-09	Front Ramp Square Tube	2	\$12.50	
119-60019-10	Front Horizontal Ramp Square Tube	1	\$16.00	
119-60019-11	Horizontal Cross Brace	1	\$12.50	
119-60019-12	Ball Ramp With Side Netting	1	\$25.00	
119-60019-13	Electronic Scorer	1	\$15.00	
119-60019-14	Switch and Paddle Assembly	2	\$ 7.50	
119-60019-15	110V Adapter	1	\$12.00	
119-60019-16	Rim Assembly	2	\$ 7.50	
119-60019-17	Rim Support Plate	2	\$ 2.00	
119-60019-18	Inflation Pump with Needle	1	\$ 3.00	
119-60019-19	Nut	2	\$ 3.00	
119-60019-20	Backboard	1	\$25.00	
119-60018-21	1/4 Washer	68	\$ 1.25	
119-60019-22	1/4 x 25mm Bolt	16	\$ 1.25	
119-60019-23	1/4 x 40mm Bolt	12	\$ 1.25	
119-60019-24	1/4 x 45mm Bolt	6	\$ 1.25	
119-60019-25	Wing Nut	34	\$ 1.25	
119-60019-26	PWA3.5X12mm Bolt	6	\$ 1.25	
119-60019-27	Folding Lock Pin	2	\$ 2.00	
119-60019-28	Hockey/Soccer Net	1	\$ 7.00	
119-60019-29	Hockey Stick	2	\$ 5.00	
119-60019-30	Hockey Puck	2	\$ 4.00	
119-60019-31	Size#3 basketball	4	\$ 5.00	
119-60019-32	Soccer Ball	2	\$ 3.00	

Also be sure to check out our web site at:

www.regent-halex.com



© 2007

Regent Sports Corporation

Hauppauge, New York