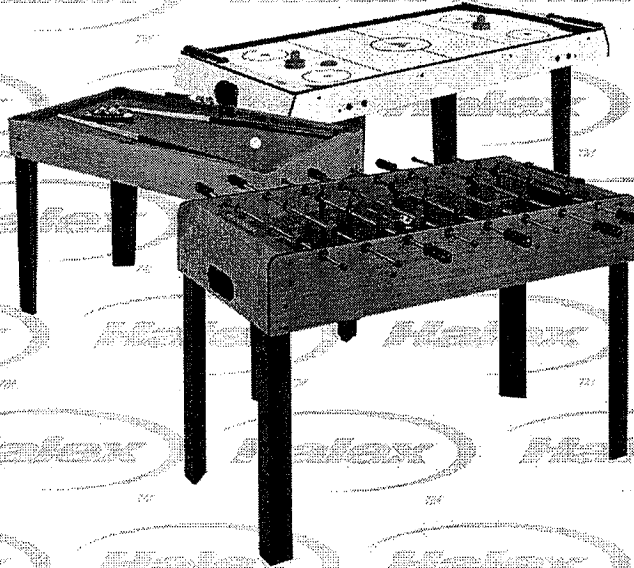


TABLE

# Games

Assembly instructions



50840

**Halex**

TM

## **LIMITED 90 DAY WARRANTY**

This Halex product is warranted to be free from defects in workmanship or materials at the time of purchase for a period of 90 (ninety) days. Certain restrictions apply (see below).

Should any evidence of defects appear within the limited warranty period after the date of purchase, Regent Sports will either send replacement parts or advise of another course of action. A list of replaceable parts can be found on the parts order form page of this manual. Parts not listed on this order form are not replaceable. **Table tops, playing surfaces, and main frames are not replaceable.** This warranty covers normal consumer use and does not cover failures, which result from alterations, accidents, misuse, abuse, or neglect.

For prompt warranty service and special offers, please register your Halex product at our customer service center by visiting our website at: [www.regent-halex.com](http://www.regent-halex.com). Enter the following unique registration number followed by the item number of your table found on the cover of this manual: 1ZAK7 \_\_\_\_\_. You can also register your product on our automated voice recognition system at the toll free number below. You must register your product within 30 days of purchase to be eligible for warranty service. Please make sure to visit our website to order additional parts not covered under the warranty, as well as on-line instruction manuals and new product information. You may also order parts by calling our automated voice recognition system.

**A purchase receipt or other proof of date of purchase will be required before warranty service is performed.** Requests for warranty service can be provided by e-mailing the customer service department at [cstables@regent-halex.com](mailto:cstables@regent-halex.com) or by calling customer service at:

**877-516-9707 (Toll Free)**

**10:00 AM to 6:00 PM, EST. (Dec. through Jan.)**



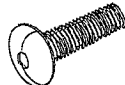
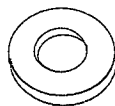






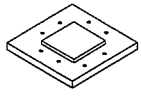
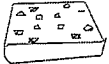

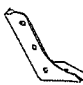



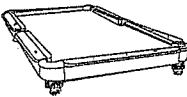
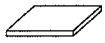

**10:00 AM to 5:00 PM, EST. (Feb. through Nov.)**

Or send request in writing to:

**Regent Sports Corporation**  
45 Ranick Road  
Hauppauge, NY 11788  
Attn: Halex Customer Service

This warranty gives you specific legal rights and you may have other rights that vary from state to state.

# Parts list for 50840

<p>#1</p>  <p>M6*50mm bolt 32pieces</p>	<p>#2</p>  <p>φ6.5*φ18mm washer 56pieces</p>	<p>#3</p>  <p>M8*26mm bolt 32pieces</p>	<p>#4</p>  <p>φ8.5*φ22mm washer 32pieces</p>
<p>#5</p>  <p>M6*30mm bolt 24pieces</p>	<p>#6</p>  <p>φ5*48mm screw 20pieces</p>	<p>#7</p>  <p>M4 tool 1piece</p>	<p>#8</p>  <p>Plastic shim 8pieces</p>
<p>#9</p>  <p>Leg A 8pieces</p>	<p>#10</p>  <p>Leg B 8pieces</p>	<p>#11</p>  <p>Leg plate A 4pieces</p>	<p>#12</p>  <p>Leg plate B 4pieces</p>
<p>#13</p>  <p>side plate 4pieces</p>	<p>#14</p>  <p>Leg bracket 4pieces</p>	<p>#15</p>  <p>Side apron 2pieces</p>	<p>#16</p>  <p>End apron 2pieces</p>
<p>#17</p>  <p>Plastic Corner 4pieces</p>	<p>#18</p>  <p>Main Frame 1 set</p>	<p>#19</p>  <p>DVD disk 1piece</p>	<p>#20</p>  <p>φ4*45mm screw 32pieces</p>

#21



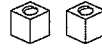
Brush  
1piece

#22



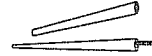
Billiard Ball  
1 set

#23



Chalk  
2pieces

#24



Cue stick  
2pieces

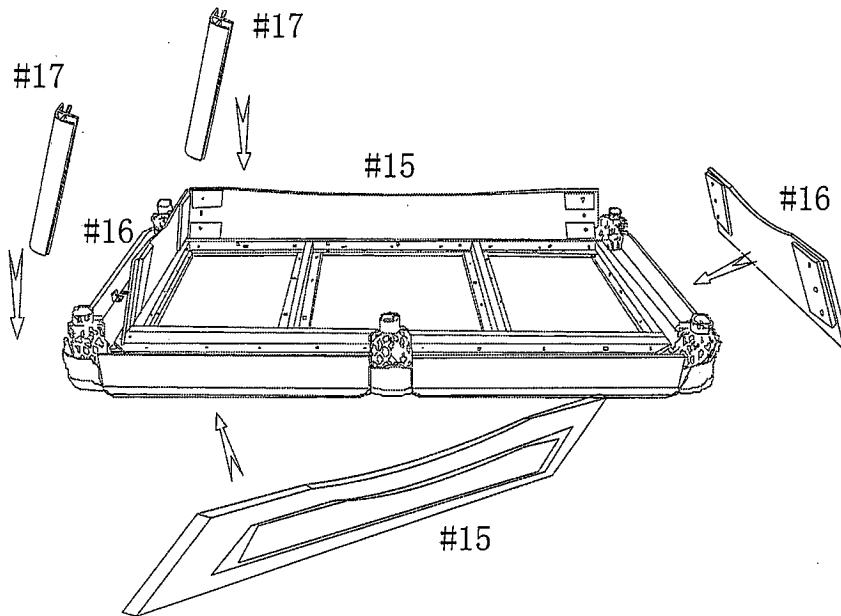
#25



Triangle  
1piece

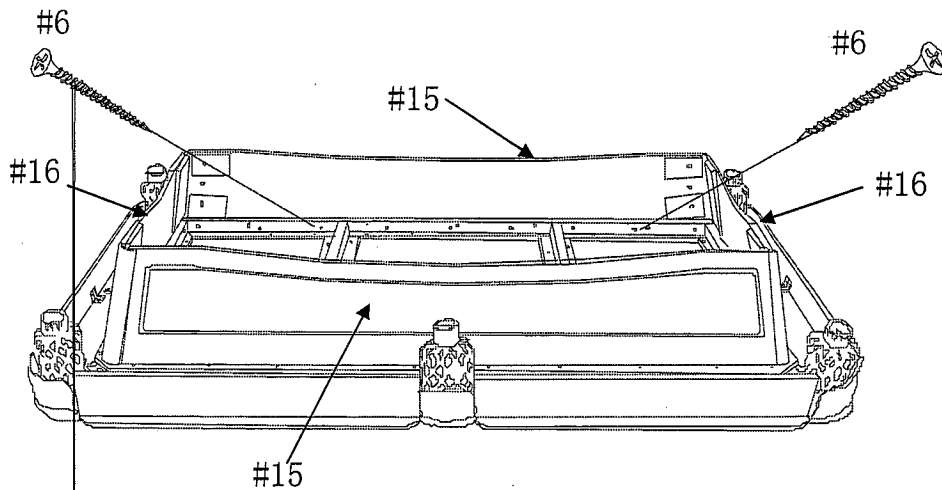
Step 1 -

Place the frame of the Table face down on a flat surface. attach one End Apron #16 and one Side Apron #15 to the frame using Plastic Corner #17 first. Next attach the other End Apron #16 and the other Side Apron #15 to the frame with the same method .



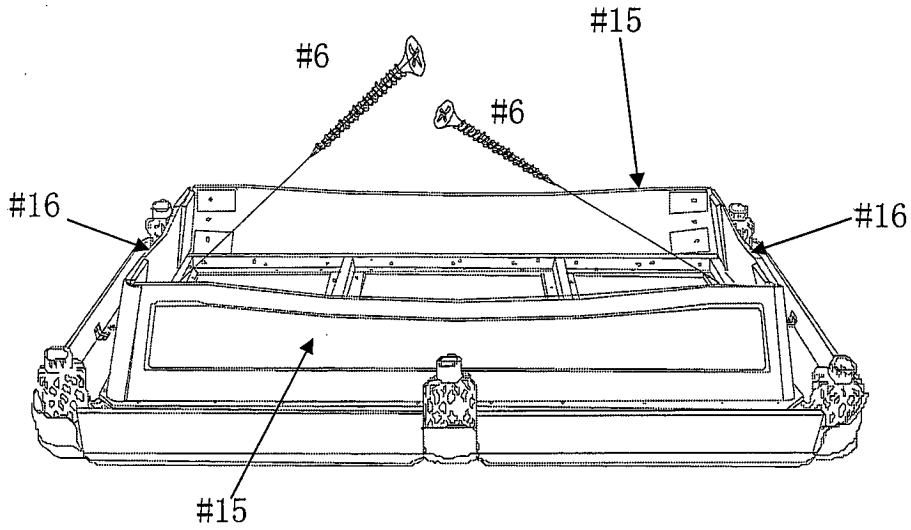
Step 2 -

Attach the both Side Apron #15 to the main frame using Screw #6.



**Step 3 -**

Attach the both End Apron #16 to the main frame using Screw #6.

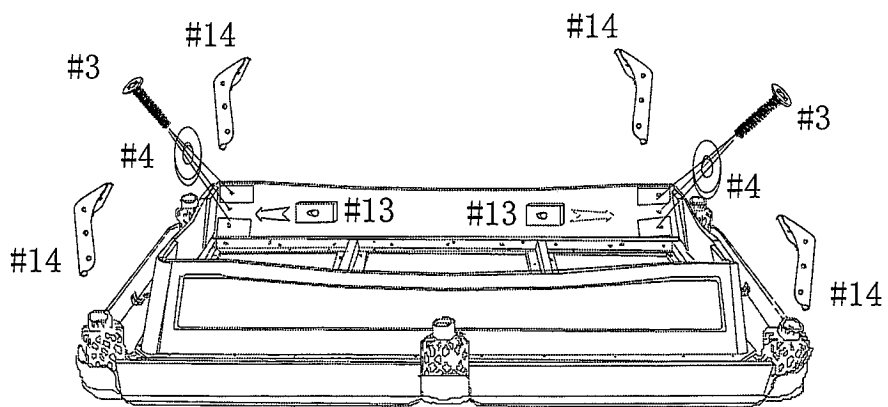


---

**Step 4 -**

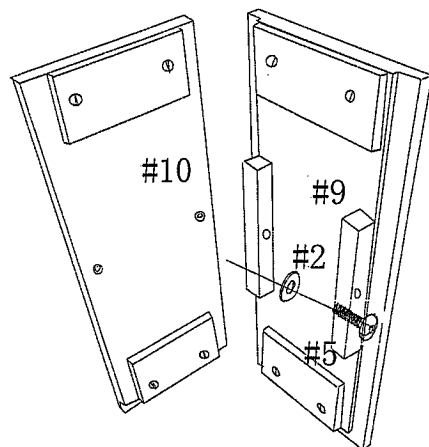
Put the side plate #13 into the middle space on the side apron first.

Next attach Leg Bracket #14 to the side apron using Bolt #3 and Washer #4.



**Step 5 -**

Assemble the legs by attaching Leg A #9 to Leg B #10 using Bolt #5 and Washer #2.

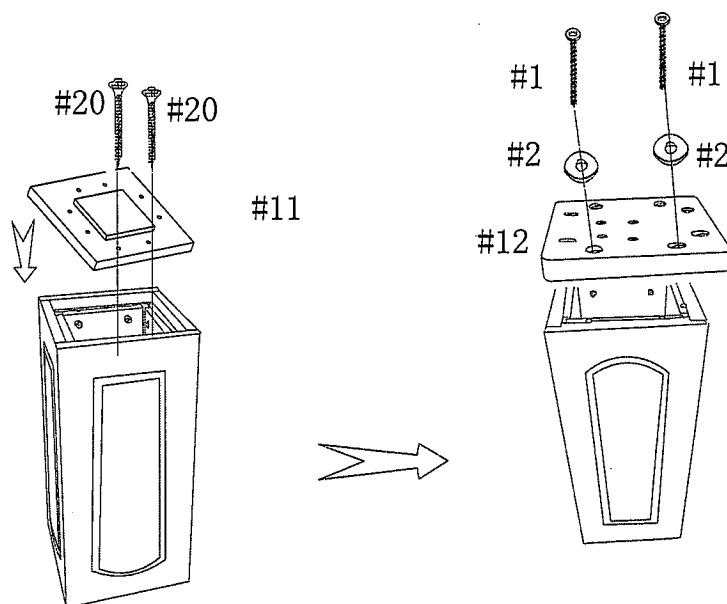


---

**Step 6 -**

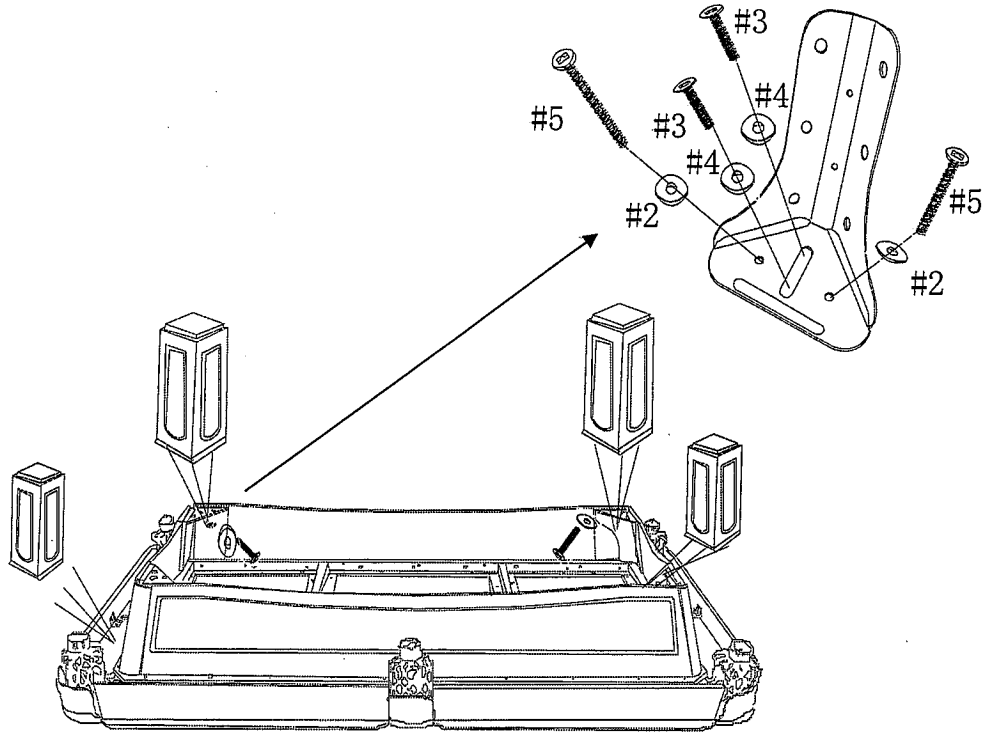
Attach Leg Plate A #11 to the leg using Screw #20.

Flip the leg and attach Leg Plate B #12 using Bolt #1 and Washer #2.



**Step #7 -**

Attach the legs to the main frame using Bolt #3 , Washer #4 and Bolt #5 , Washer #2



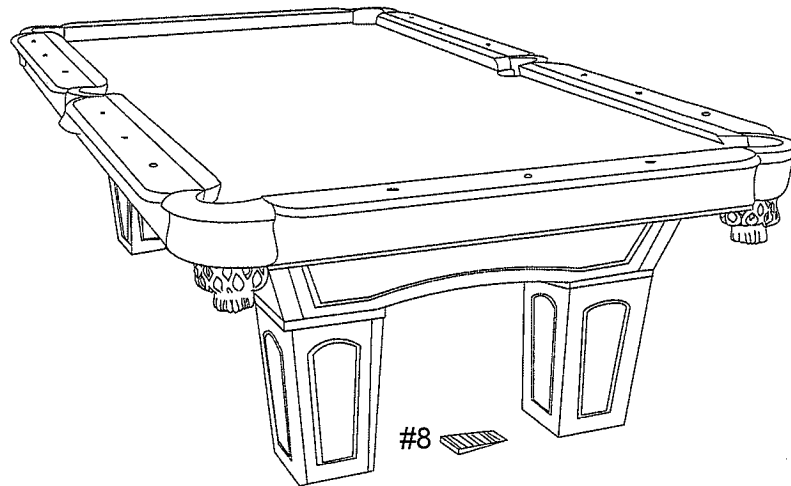
---

**Step 8 -**

Using atleast 4 adults, carefully flip the table so it is resting on the legs.

Place Plastic Shim #8 under the legs. Watch hands.

Enjoy the game!



50840

**PARTS ORDER FORM**

If for some reason you are missing any assembly parts for your Halex game table, please call the Regent Sports Customer Service line at (877) 516-9707 (toll free) between the hours of 10:00am and 5:00pm EST or go online at [www.regent-halex.com](http://www.regent-halex.com) for parts ordering. Please refer to the REGENT SPORTS LIMITED WARRANTY concerning missing and defective parts.

Parts also may be ordered by filling out the form below. Please fill in all the information and return to:

**REGENT SPORTS CORP.  
45 RANICK ROAD  
HAUPPAUGE, NEW YORK, 11788  
ATTN: CUSTOMER SERVICE**

REGENT SPORTS CORP. requires that all orders for replacement parts must be paid by check, money order, VISA, or MC. Cash is not accepted. Please make all checks or money orders payable to REGENT SPORTS CORP. *Please note all prices include shipping and handling.*

Name of Purchaser: \_\_\_\_\_  
Address: \_\_\_\_\_  
City: \_\_\_\_\_  
State: \_\_\_\_\_ Zip Code: \_\_\_\_\_  
Phone: \_\_\_\_\_

PART #	DESCRIPTION	QUANTITY	PRICE	TOTAL COST
197-50840-01	M6 x 50mm bolt	32	\$1.25 ea	
197-50840-02	6.5 x 18mm washer	56	\$1.25 ea	
197-50840-03	M8 x 26mm bolt	32	\$1.25 ea	
197-50840-04	8.5 x 22mm washer	32	\$1.25 ea	
197-50840-05	M6 x 30mm bolt	24	\$1.25 ea	
197-50840-06	5 x 48mm screw	20	\$1.25 ea	
197-50840-07	M4 Tool	1	\$1.25 ea	
197-50840-08	Plastic Shim	8	\$3.00 ea	
197-50840-09	Leg A	8	\$15.00 ea	
197-50840-10	Leg B	8	\$15.00 ea	
197-50840-11	Leg plate A	4	\$6.00 ea	
197-50840-12	Leg plate B	4	\$6.00 ea	
197-50840-13	side plate	4	\$6.00 ea	
197-50840-14	Leg bracket	4	\$4.00 ea	
197-50840-15	Side Apron	2	\$40.00 ea	
197-50840-16	End Apron	2	\$30.00 ea	
197-50840-17	Plastic corner	4	\$5.00 ea	
197-50840-19	DVD disk	1	\$7.00 ea	
197-50840-20	φ 4*45mm screw	32	\$1.25ea	
197-50840-21	Brush	1	\$5.00 ea	
197-50840-22	Billiard ball	1 Set	\$25.00 st	
197-50840-23	Chalk	2	\$2.00 ea	
197-50840-24	Cue stick	2	\$15.00 ea	
197-50840-25	Triangle	1	\$7.00 ea	

**\*\*PRICES SUBJECT TO CHANGE WITHOUT NOTICE.**

## Billiard Table Game Rules

### **8-Ball:**

All 15 balls are racked with the 8 ball in the middle (many players also alternate stripes and solids at the end of the bottom row). The balls are broken wide open. No matter what happens on the break, the shooter still has his choice of playing stripes or solids. The first player to sink a striped or solid ball is committed to those balls for the remainder of the game. After a player has pocketed all his stripe or solid balls, he may shoot at the 8 ball. The shooter must call the pocket for the 8 ball. If he misses, the game continues. Once the 8 ball is legally pocketed, a winner is declared.

### **9-Ball:**

The 1 through 9 numbered object balls are racked in a diamond shape with the 9 ball in the middle. If a ball is pocketed on the break, the shooter continues his turn. If no balls are pocketed on the break, the next player takes his turn. The shooter must make contact with the lowest numbered ball on the table first; if he does that, any ball that goes in is considered good and he continues to shoot. Whoever legally makes the 9 ball wins the game (the pocket must be called). The penalty for failure to hit the lowest numbered ball first is that your opponent is awarded "ball in hand". The shooter awarded ball in hand may place the cue ball anywhere on the table for his next shot.

**Also be sure to check out our web site at:**

**[www.regent-halex.com](http://www.regent-halex.com)**

• Parts Ordering • Owners Manual • Product Information



© 2007  
Regent Sports Corporation  
Hauppauge, New York