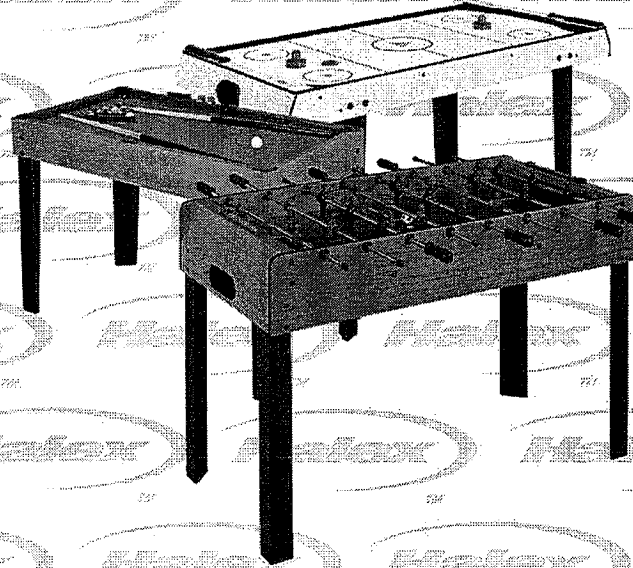


TABLE
Games

Assembly instructions



50752



LIMITED 90 DAY WARRANTY

This Halex product is warranted to be free from defects in workmanship or materials at the time of purchase for a period of 90 (ninety) days. Certain restrictions apply (see below).

Should any evidence of defects appear within the limited warranty period after the date of purchase, Regent Sports will either send replacement parts or advise of another course of action. A list of replaceable parts can be found on the parts order form page of this manual. Parts not listed on this order form are not replaceable. **Table tops, playing surfaces, and main frames are not replaceable.** This warranty covers normal consumer use and does not cover failures, which result from alterations, accidents, misuse, abuse, or neglect.

For prompt warranty service and special offers, please register your Halex product at our customer service center by visiting our website at: www.regent-halex.com. Enter the following unique registration number followed by the item number of your table found on the cover of this manual: 1ZAK7 _____. You can also register your product on our automated voice recognition system at the toll free number below. You must register your product within 30 days of purchase to be eligible for warranty service. Please make sure to visit our website to order additional parts not covered under the warranty, as well as on-line instruction manuals and new product information. You may also order parts by calling our automated voice recognition system.

A purchase receipt or other proof of date of purchase will be required before warranty service is performed. Requests for warranty service can be provided by e-mailing the customer service department at cstables@regent-halex.com or by calling customer service at:

877-516-9707 (Toll Free)

10:00 AM to 6:00 PM, EST. (Dec. through Jan.)

10:00 AM to 5:00 PM, EST. (Feb. through Nov.)

Or send request in writing to:

Regent Sports Corporation

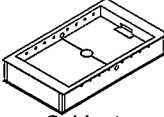
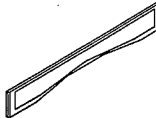

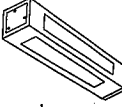
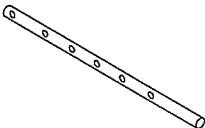
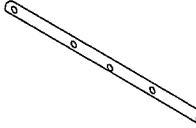
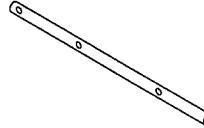
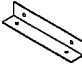










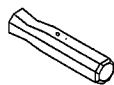
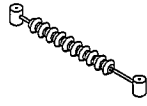



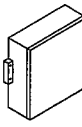
45 Ranick Road






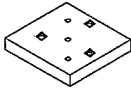
Hauppauge, NY 11788

Attn: Halex Customer Service

This warranty gives you specific legal rights and you may have other rights that vary from state to state.

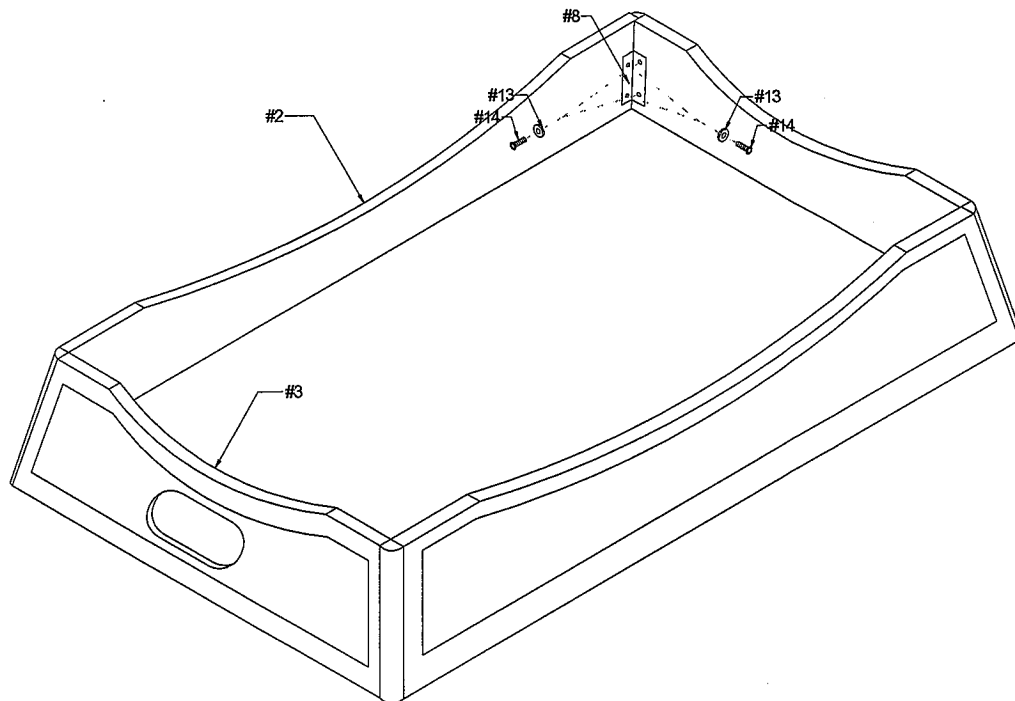
Parts list for 50752

<p>#1</p>  <p>Cabinet 1 set</p>	<p>#2</p>  <p>Side Apron 2 pcs</p>	<p>#3</p>  <p>End Apron 2 pcs</p>	<p>#4</p>  <p>Leg 4 pcs</p>
<p>#5</p>  <p>5 -player rod 2pcs</p>	<p>#6</p>  <p>3 -player rod 4pcs</p>	<p>#7</p>  <p>2 -player rod 2pcs</p>	<p>#8</p>  <p>Apron Bracket 4 pcs</p>
<p>#9</p>  <p>Blue player 13 pcs</p>	<p>#10</p>  <p>Red player 13 pcs</p>	<p>#11</p>  <p>Bolt #8*1-1/8" 26 pcs</p>	<p>#12</p>  <p>Bolt 5/16**3/4" 12 pcs</p>
<p>#13</p>  <p>Washer 5/16**23mm 56 pcs</p>	<p>#14</p>  <p>Bolt 5/16**1/2" 32 pcs</p>	<p>#15</p>  <p>Bolt T5*15mm 8 pcs</p>	<p>#16</p>  <p>Leg Bracket 4 pcs</p>
<p>#17</p>  <p>Rod End Cap 8 pcs</p>	<p>#18</p>  <p>Screw F4*2" 4 pcs</p>	<p>#19</p>  <p>Rod Handle 8 pcs</p>	<p>#20</p>  <p>Slide Scorer 2 pcs</p>
<p>#21</p>  <p>5/8" Plastic Washer 16 pcs</p>	<p>#22</p>  <p>Screw T4*1/2" 24 pcs</p>	<p>#23</p>  <p>Bolt 5/16**1-1/2" 12 pcs</p>	<p>#24</p>  <p>Wood Goal 2 pcs</p>

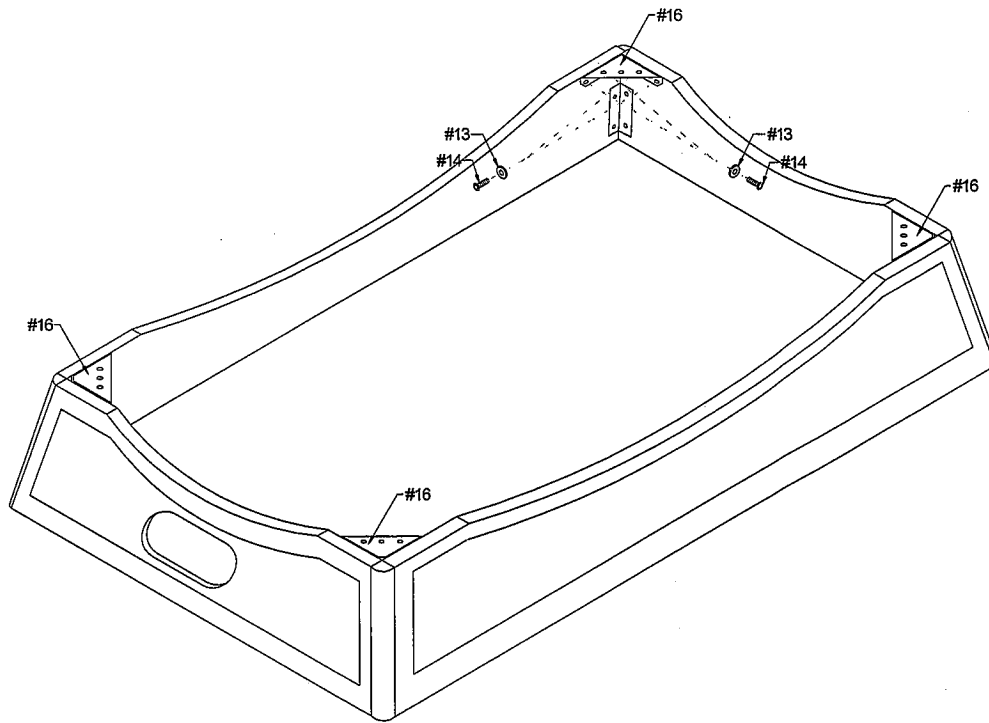
Parts list for 50752			
#25  Rubber bushing 16 PCS	#26  Nut 26 PCS	#27  Screw #8*1-1/2" 8 pcs	#28  Soccer Ball 4 pcs
#29  Allen Wrench 1 pc	#30  plate 4 pcs		

Assembly instructions for 50752

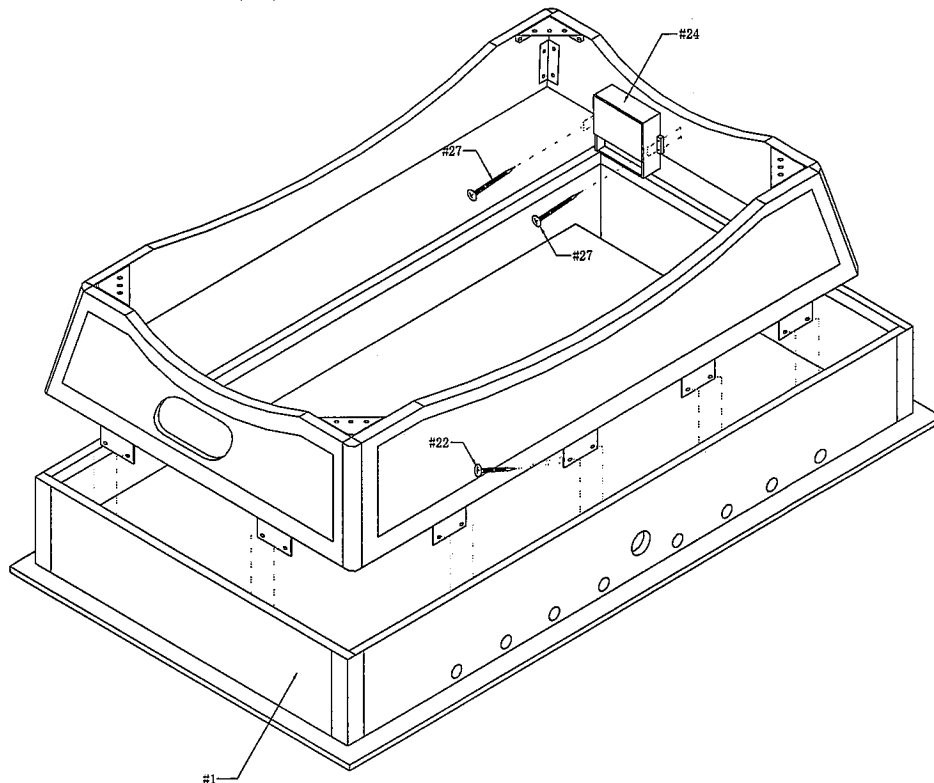
Step 1 –Place the cabinet of the table face down on a flat surface. Connect the side apron (#2) to the end apron (#3). Place the apron bracket (#8) to the corner of the apron using the bolt (#14) and washer (#13) screw



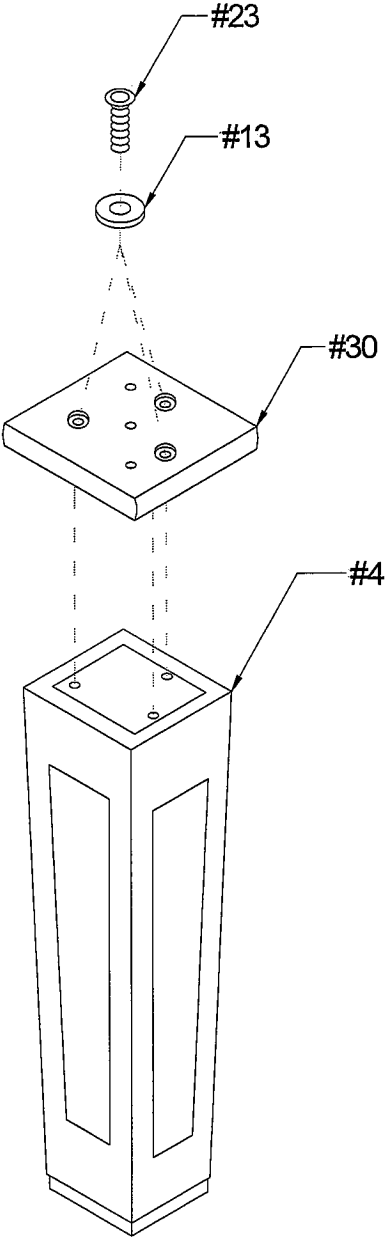
Step 2- Place the leg bracket (#16) to the corner of the apron using the bolt (#14) and washer (#13) screw



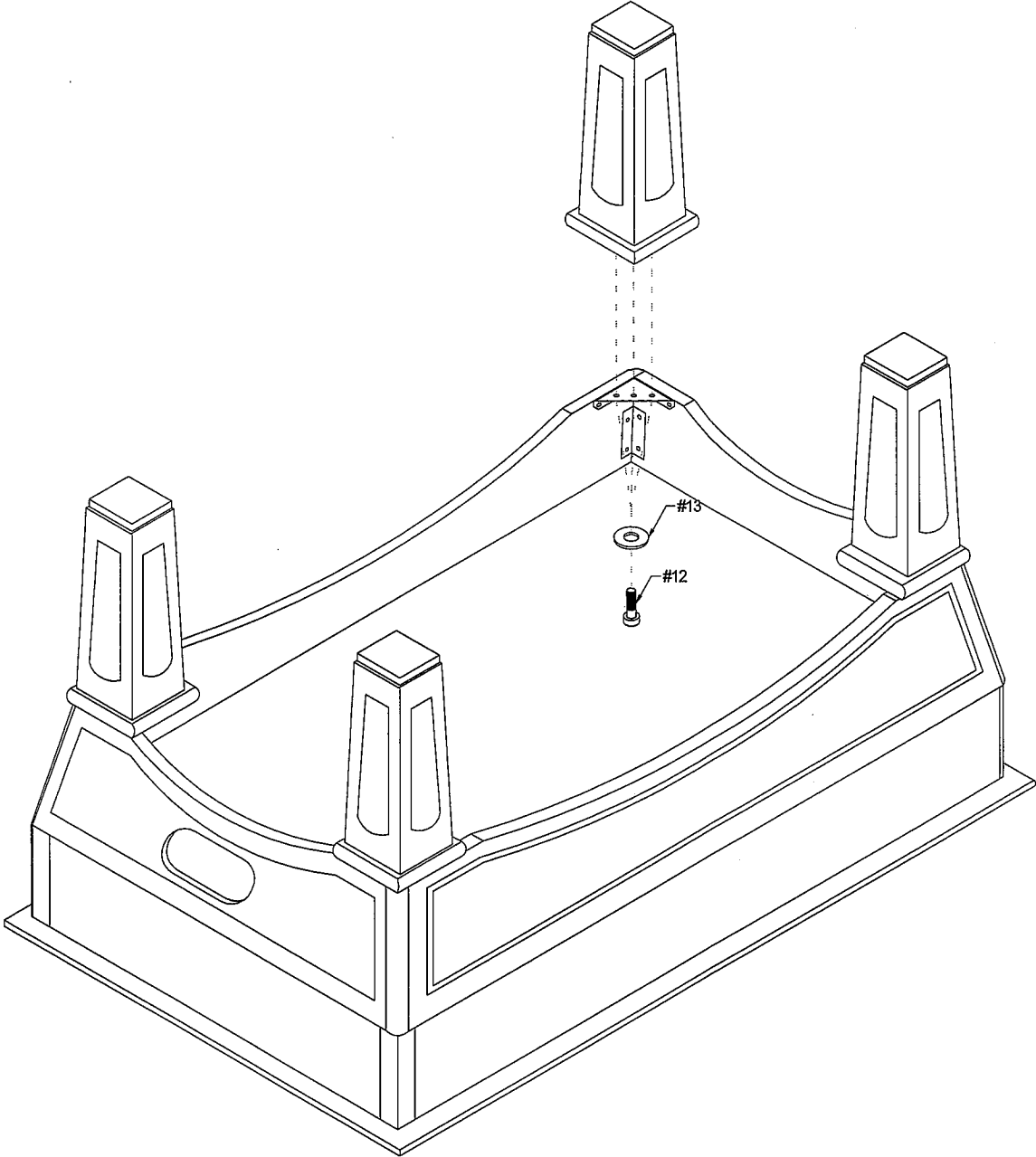
Step 3- Attach the wood goal (#24) to the end apron using the screw (#27). With the help of another adult. Attach the apron on the cabinet (#1), place the bracket over the holes on the inside of the cabinet (#1) and attach using screws (#22) as shown in the diagram.



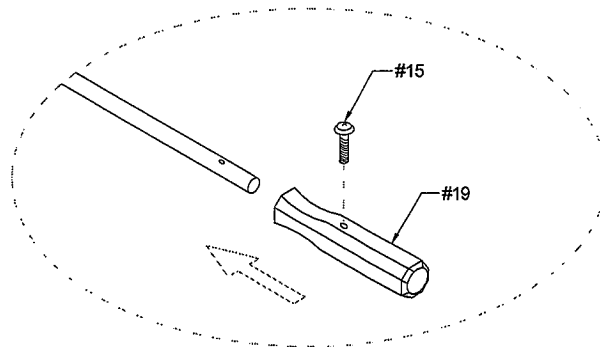
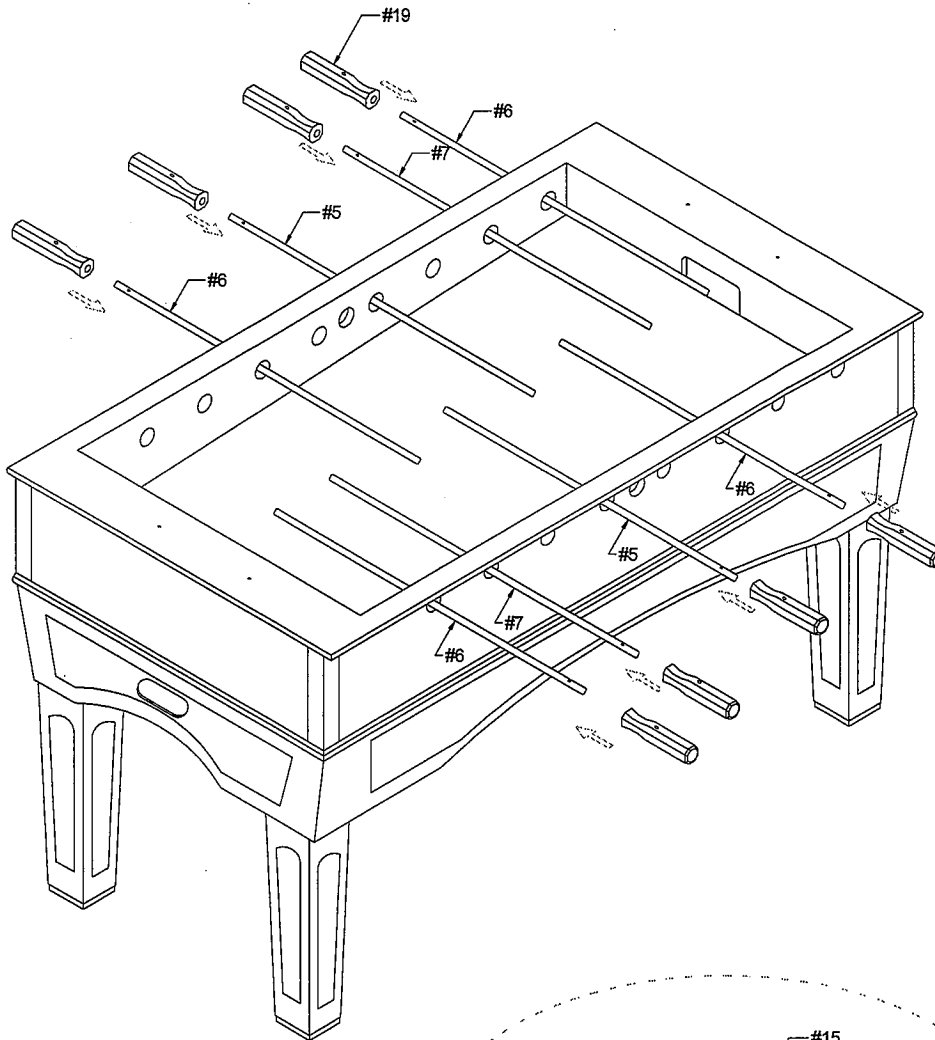
Step 4- place the plate (#30) to the leg (#4) using the bolt (#23) and washer (#13) screw as shown.



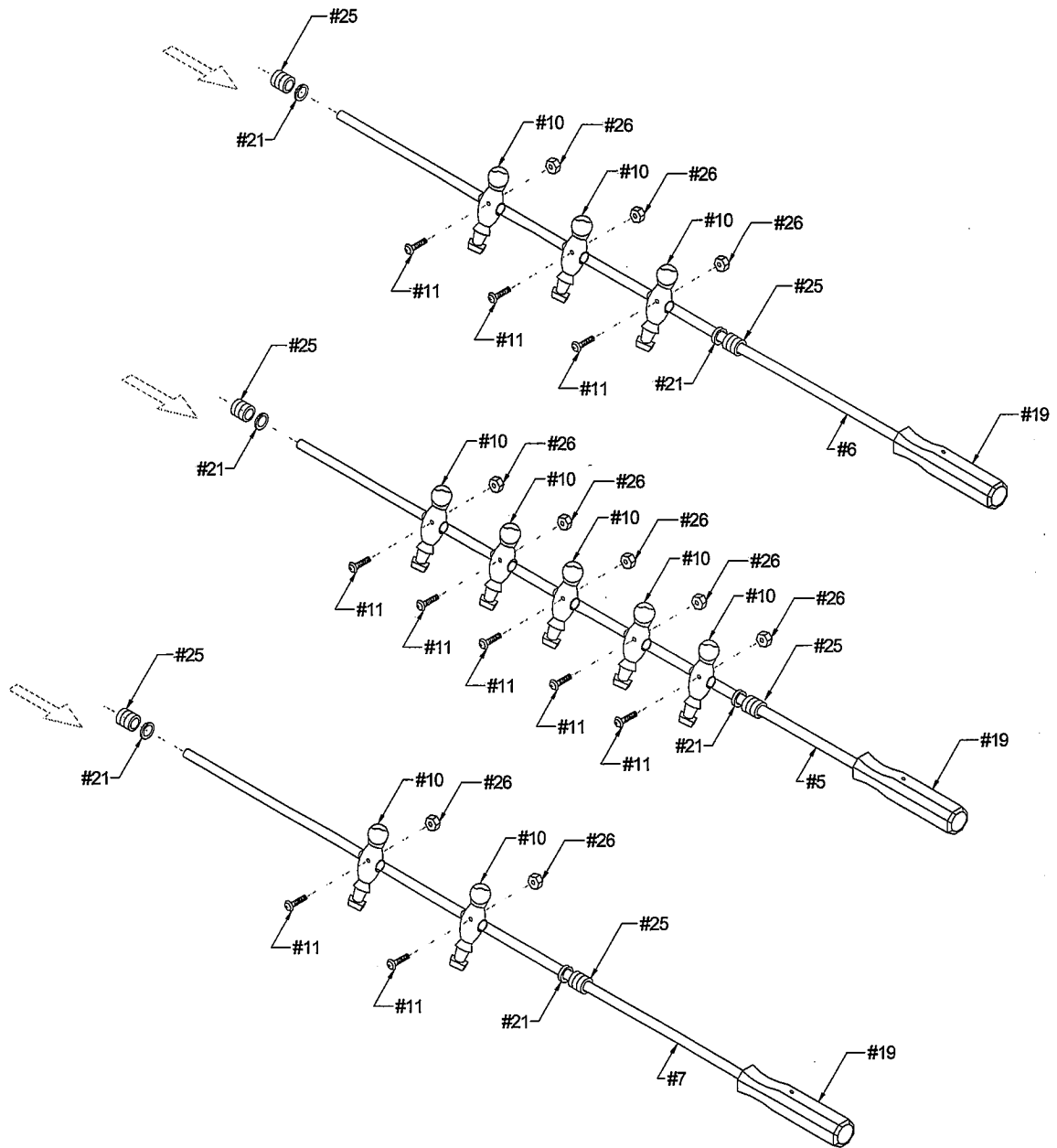
Step 5- Flip the leg (#4) and attach leg to the leg bracket using the bolt(#12) and washer (#13) as show



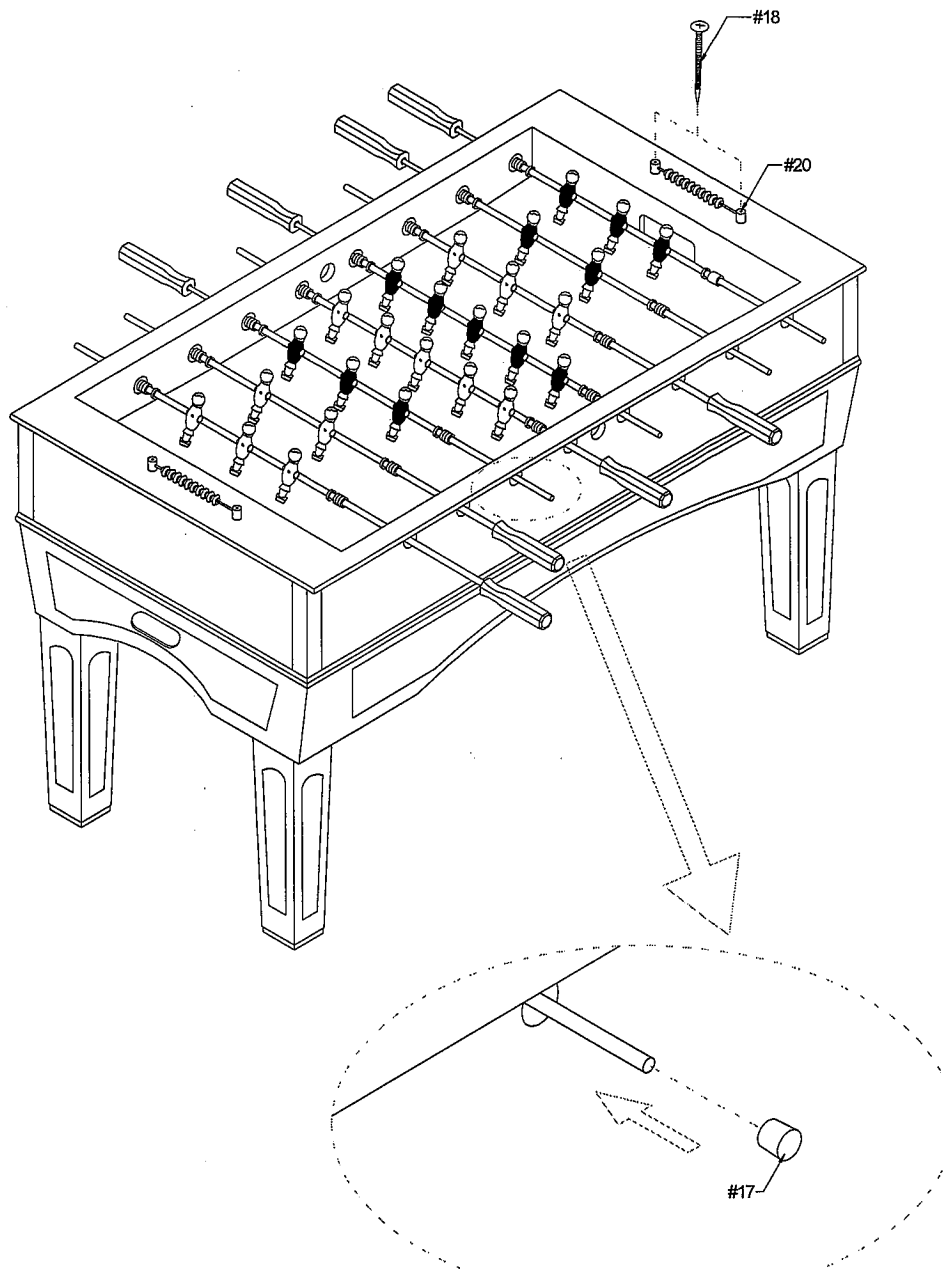
Step 6-With the help of another adult, carefully flip the table over. Follow the diagram and slide the appropriate player rods (#5,#6)) through the designated holes in the side panels.Affix the handles (#19) to the rods by inserting the bolts (#15) through the holes in the rods. as shown in the diagram



Step 7-Slide the rubber bushings (#25) and plastic rod washers (#21) onto the rods up to the handles. Slide the red players (#10) onto the rods. If a rod has 3 holes, then slide 3 players on it; if a rod has 2 holes, then slide 2 players on it, If a rod has 5 holes, then slide 5 players on it; Before securing, make sure that the teams are lined up correctly: the rods with the handles on the same side of the table should have the same color players. After the players are on the rods, slide the plastic rod washers (#21) and rubber bushings (#25) and onto the rods. Secure the players onto the rods using the bolts (#11) and nuts (#26) as shown in the diagram.



Step 8- Place the rod cup (#17) onto the ends of the rod opposite the handles. Next attach the slide scorer (#20) to the top rails of the end panels using screws (#18). Enjoy the game.



Foosball Table Game Rules

To Start a Match:

- A coin flip shall precede the start of the match. The team that wins the flip has the choice of table side or first serve.

The Serve:

- A serve through the serving hole is used to put the ball into play at the start of the match, after a point is scored, or after a ball leaves the table.

Subsequent Serves:

- Following the first serve of the match, subsequent serves shall be made by the team last scored upon.

Ball in Play:

- Once a ball is put in play by the server, it shall remain in play until the ball is hit off the table, a dead ball is declared, time out is called, or a point is scored.

Ball Off the Table:

- The ball should be put back into play with a serve by the team which originally served that ball.

Dead Ball:

- A ball shall be declared dead when it has completely stopped its motion and is not within reach of any player figure.
- If the ball is declared dead between the goalie and the 2-man rods, it shall be put back into play by placing the ball in the corner nearest the spot of the dead ball.
- If the ball is declared dead anywhere else on the table, it shall be put back into play with a serve by the team that originally served that ball.

Point Scored:

- A ball entering the goal shall count as a point, as long as it was legally scored. A ball which enters the goal but returns to the playing surface and/or leaves the table still counts as a goal.

Change of Positions:

- In any doubles event, each player may play only the two rods normally designated for his position. Once the ball is put into play, the players must play the same position until a point is scored.

Spinning the Rods:

- Spinning the rods is illegal. Spinning is defined as the rotation of any soccer figure more than 360 degrees before or after striking the ball.
- If the ball goes in the goal, then it will not be counted as a point and will be put back into play by the goalie as if the ball had been declared a dead ball between the goal and the nearest two-man rod.

Jarring:

- Any jarring, sliding, or lifting of the table shall be illegal.

Reaching Into The Playing Area:

- It is illegal for a player to reach into the playing area while the ball is in play.

50752

PARTS ORDER FORM

If for some reason you are missing any assembly parts for your Halex game table, please call the Regent Sports Customer Service line at (877) 516-9707 (toll free) between the hours of 10:00am and 5:00pm EST or go online at www.regent-halex.com for parts ordering. Please refer to the REGENT SPORTS LIMITED WARRANTY concerning missing and defective parts.

Parts also may be ordered by filling out the form below. Please fill in all the information and return to:

**REGENT SPORTS CORP.
45 RANICK ROAD
HAUPPAUGE, NEW YORK, 11788
ATTN: CUSTOMER SERVICE**

REGENT SPORTS CORP. requires that all orders for replacement parts must be paid by check, money order, VISA, or MC. Cash is not accepted. Please make all checks or money orders payable to REGENT SPORTS CORP. *Please note all prices include shipping and handling.*

Name of Purchaser: _____
Address: _____
City: _____
State: _____ Zip Code: _____
Phone: _____

PART #	DESCRIPTION	QUANTITY	PRICE	TOTAL COST
197-50752-02	Side apron	2	\$ 15.00ea	
197-50752-03	End apron	2	\$ 10.00ea	
197-50752-04	Leg	4	\$ 10.00ea	
197-50752-05	5 -player rod	2	\$ 10.00ea	
197-50752-06	3 -player rod	4	\$ 10.00 ea	
197-50752-07	2- player rod	2	\$ 10.00 ea	
197-50752-08	Apron bracket	4	\$ 3.00 ea	
197-50752-09	Blue player	13	\$ 3.00 ea	
197-50752-10	Red player	13	\$ 3.00 ea	
197-50752-11	Bolt # 8x1-1/8"	26	\$ 1.00 ea	
197-50752-12	Bolt # 5/16"x 3/4"	12	\$ 1.00 ea	
197-50752-13	Washer #5/16"x23mm	56	\$ 1.00 ea	
197-50752-14	Bolt #5/16"X 1/2"	32	\$ 1.00 ea	
197-50752-15	Bolt T5x 5/8"	8	\$ 1.00 ea	
197-50752-16	Leg bracket	4	\$ 5.00 ea	
197-50752-17	Rod end cap	8	\$ 1.00 ea	
197-50752-18	Screw F4x2"	4	\$ 1.00 ea	
197-50752-19	Rod handle	8	\$ 5.00 ea	
197-50752-20	Slide scorer	2	\$ 5.00 ea	
197-50752-21	5/8"plastic rod washer	16	\$ 1.00 ea	
197-50752-22	Screw T4x1/2"	24	\$ 1.00 ea	
197-50752-23	Bolt 5/16"x 1 -1/2"	12	\$ 1.00 ea	
197-50752-24	Wood goal	2	\$ 8.00 ea	
197-50752-25	Rubber bushing	16	\$ 2.00 ea	

****PRICES SUBJECT TO CHANGE WITHOUT NOTICE.**

50752

197-50752-26	nut	26	\$ 1.00 ea	
197-50752-27	Screw	8	\$ 1.00 ea	
197-50752-28	Soccer ball	4	\$ 2.00 ea	
197-50752-30	Plate	4	\$ 5.00 ea	

****PRICES SUBJECT TO CHANGE WITHOUT NOTICE.**

Also be sure to check out our web site at:

www.regent-halex.com

• Parts Ordering • Owners Manual • Product Information



© 2007
Regent Sports Corporation
Hauppauge, New York