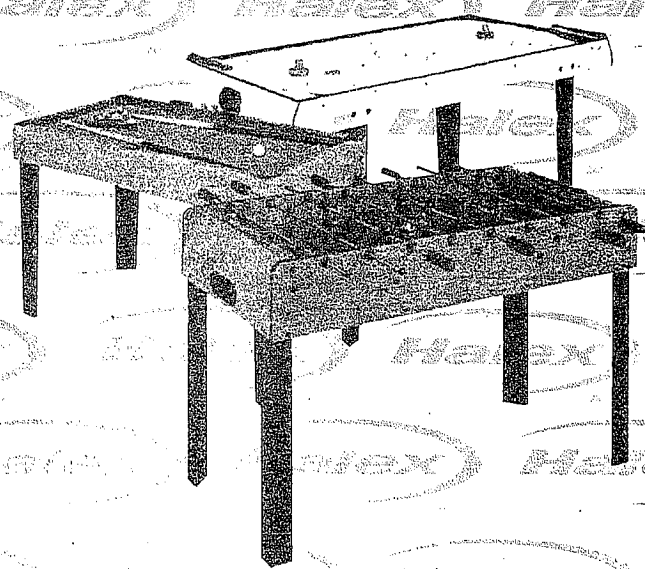


TABLE
Games

Assembly instructions



50615

PLEASE DO NOT RETURN THIS ITEM TO THE STORE!

Should you have a defect or parts issue, please refer to the warranty instructions listed below and contact Regent Sports at our toll free number!!

LIMITED 90 DAY WARRANTY

This Halex product is warranted to be free from defects in workmanship or materials at the time of purchase for a period of 90 (ninety) days. Certain restrictions apply (see below).

Should any evidence of defects appear within the limited warranty period after the date of purchase, Regent Sports will either send replacement parts or advise of another course of action. A list of replaceable parts can be found on the parts order form page of this manual. Parts not listed on this order form are not replaceable. **Table tops, playing surfaces, and main frames are not replaceable.** This warranty covers normal consumer use and does not cover failures, which result from alterations, accidents, misuse, abuse, or neglect.

For prompt warranty service and special offers, please register your Halex product at our customer service center by visiting our website at: www.regent-halex.com. Enter the following unique registration number followed by the item number of your table found on the cover of this manual: 1ZAK7 _____. You must register your product within 30 days of purchase to be eligible for warranty service. Please make sure to visit our website to order additional parts not covered under the warranty, as well as on-line instruction manuals and new product information. You may also order parts by calling our automated voice recognition system (877) 516-8707.

A purchase receipt or other proof of date of purchase will be required before warranty service is performed. Requests for warranty service can be provided by e-mailing the customer service department at cstables@regent-halex.com or by calling customer service at:

877-516-9707 (Toll Free)

10:00 AM to 6:00 PM, EST. (Dec. through Jan.)

10:00 AM to 5:00 PM, EST. (Feb. through Nov.)

Or send request in writing to:

Regent Sports Corporation
45 Ranick Road
Hauppauge, NY 11788
Attn: Halex Customer Service

This warranty gives you specific legal rights and you may have other rights that vary from state to state.

AIR HOCKEY 50615 PARTS LIST
















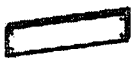


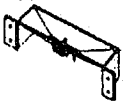


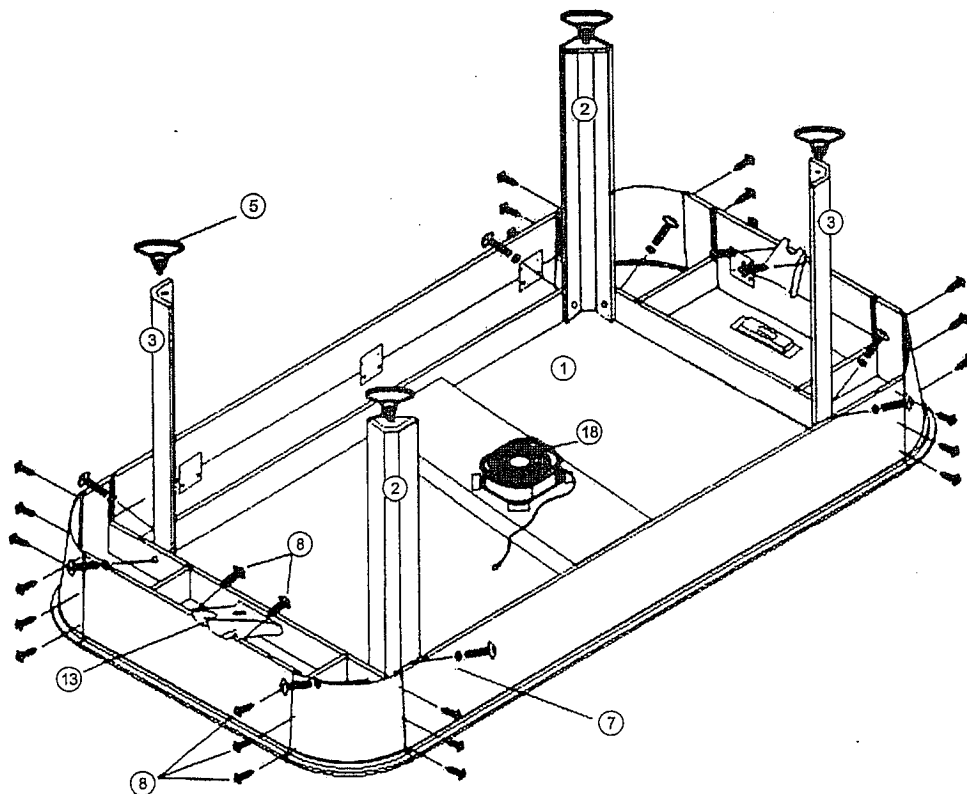
① 197-50615-01  TABLE ASSEMBLY 1EA	② 197-50615-02  RIGHT LEG 2EA	③ 197-50615-03  LEFT LEG 2EA	④ 197-50615-04  LEG END PANEL 2EA	⑤ 197-50615-05  LEG LEVELER 4EA	⑥ 197-50615-06  8X30MM ALLENKEY LEG BOLT 8EA
⑦ 197-50615-07  22MM FLAT WASHER 8EA	⑧ 197-50615-08  3.5X12MM WASHER HEAD SCREW 2EA	⑨ 197-50615-09  3.5X25MM ALUT HEAD SCREW 4EA	⑩ 197-50615-10  4X25MM WASHER HEADBOLT 6EA	⑪ 197-50615-11  SLIDE SCORER 2EA	⑫ 197-50615-12  LCD SCORER 1EA
⑬ 197-50615-13  PUCK RETURN UNIT 2EA	⑭ 197-50615-14  PUSHER 2EA	⑮ 197-50615-15  PUCK 4EA	⑯ 197-50615-16  LEG SDE BRACE 2EA	⑰ 197-50615-17  APROM CORNER 4EA	⑱ 197-50615-18 PRE-INSTALLED  HOCKEY MOTOR 1EA
⑲ 197-50615-19 PRE-INSTALLED  INDUCTANCE BOX 2EA	⑳ 197-50615-20  3.5X14MM FLAT HEAD SCREW 2EA	㉑ 197-50615-21  ALLEN KEY 1EA			

FIG1



Step 1 -

Place table face down on a flat surface. Attach Right Leg #2 and Left Leg #3 to the table assembly using Washer Head Screw #8 and Flat Washer #7. Screw in Leg Levelers #5. Next attach Puck Return Unit #13 to the ends of the table using Washer Head Screw #8.

PL-307 SCORER

FIG. 1

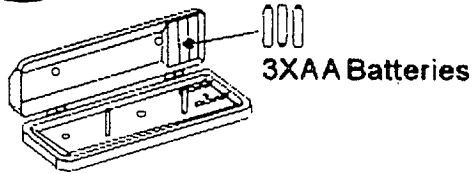


FIG. 1: Insert 3 AA Batteries to the correct place.

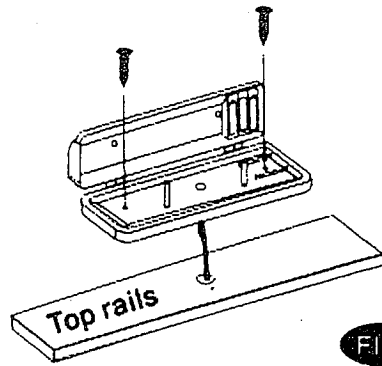
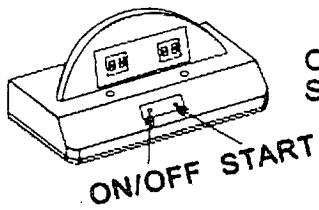


FIG. 2

FIG. 2: Attach the Scorer to the table top rails using two Screws.

FIG. 3



ON/OFF Button : Power switch
START Button: Press the button to begin the game

Step 2 -

Attach Leg End Panel #4 to the legs using Washer Head Bolt #10 Next attach Leg Side Brace #16 to the legs using Washer

FIG2

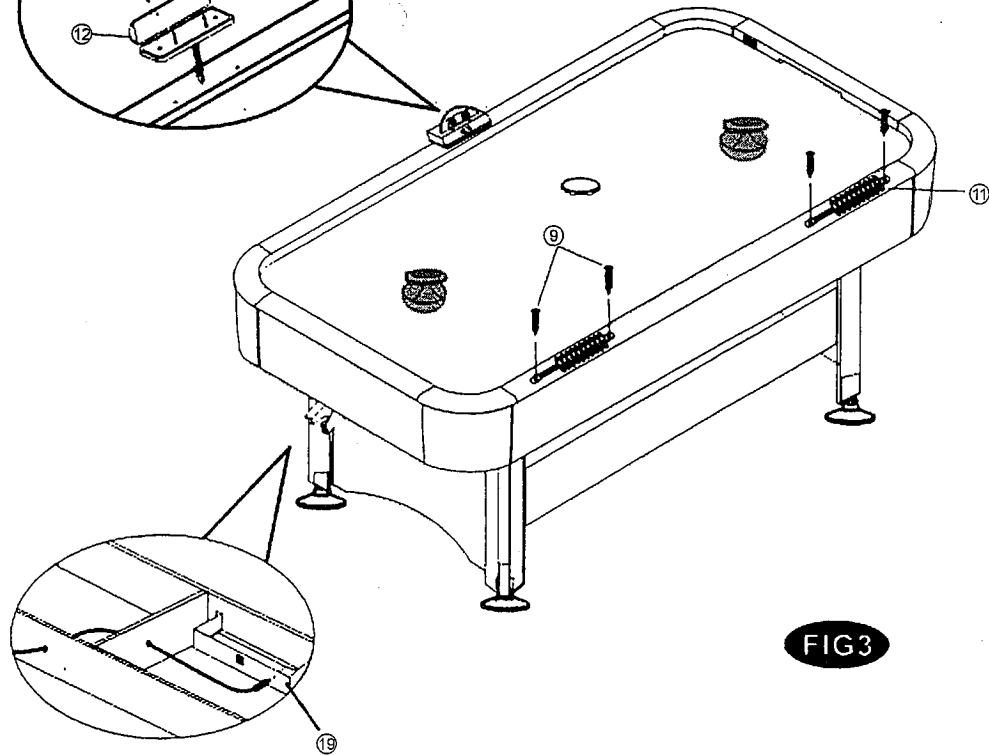
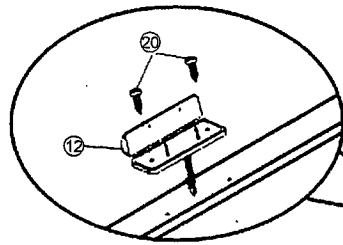
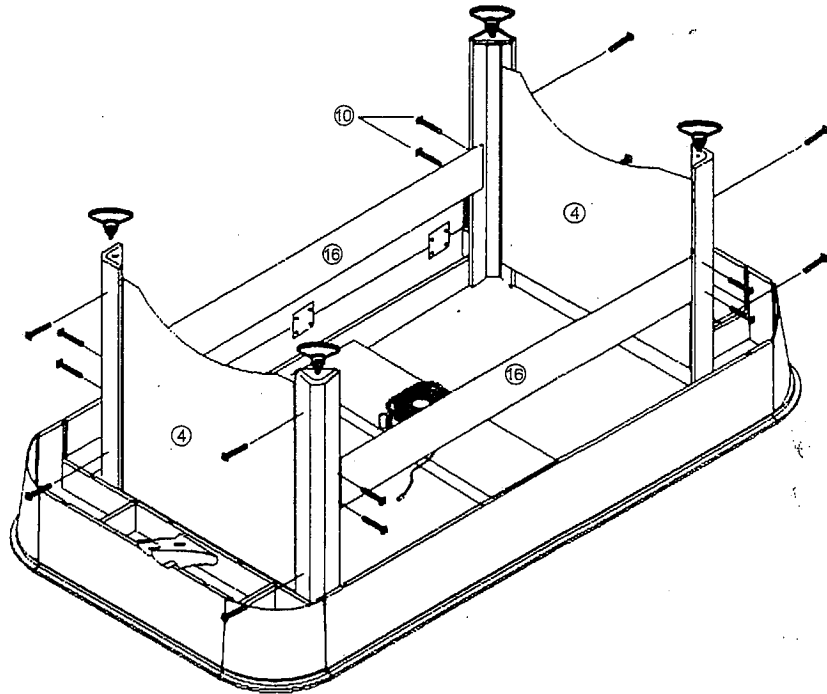


FIG3

Step 3 -

With the help of an adult carefully flip the table face up. Attach Slide Scorer #11 to the side rail using Flat Head Screw #9. Next attach LCD Scorer #12 to the opposite side rail using Flat Head Screw #20.

PARTS ORDER FORM

If for some reason you are missing any assembly parts for your Halex game table, please call the Regent Sports Customer Service line at (877) 516-9707 (toll free) between the hours of 10:00am and 5:00 pm EST or go online at www.regent-halex.com for parts ordering. Please refer to the REGENT SPORTS LIMITED WARRANTY concerning missing and defective parts.

Parts also may be ordered by filling out the form below. Please fill in all the information and return to:

REGENT SPORTS CORP.
45 RANICK ROAD
HAUPPAUGE, NEW YORK, 11788
ATTN: CUSTOMER SERVICE

REGENT SPORTS CORP. requires that all orders for replacement parts must be paid by check, money order, VISA, or MC. Cash is not accepted. Please make all checks or money orders payable to REGENT SPORTS CORP. *Please note all prices include shipping and handling.*

Name of Purchaser: _____
Address: _____
City: _____
State: _____ Zip Code: _____
Phone: _____

Part #	Description	Quantity	Price	Total Cost
197-50615-02	Right Leg	2	\$13.50 ea	
197-50615-03	Left Leg	2	\$13.50 ea	
197-50615-04	Leg End Panel	2	\$15.00 ea	
197-50615-05	Leg Leveler	4	\$6.00 ea	
197-50615-06	8 X 30MM Allen Key Leg Bolt	8	\$1.25 ea	
197-50615-07	22MM Flat Washer	8	\$1.25 ea	
197-50615-08	3.5 X 12MM Washer Head Screw	20	\$1.25 ea	
197-50615-09	3.5 X 25MM Flat Head Screw	4	\$1.25 ea	
197-50615-10	4 x 25MM Washer Head Bolt	16	\$1.25 ea	
197-50615-11	Slide Scorer	2	\$5.00 ea	
197-50615-12	LCD Scorer	1	\$15.00 ea	
197-50615-13	Puck Return Unit	2	\$5.00 ea	
197-50615-14	Pusher	2	\$4.00 ea	
197-50615-15	Puck	4	\$2.00 ea	
197-50615-16	Leg Side Brace	2	\$15.00 ea	
197-50615-17	Apron Corner	4	\$6.00 ea	
197-50615-18	Hockey Motor	1	\$12.00 ea	
197-50615-19	Inductance Box	2	\$5.00 ea	
197-50615-20	3.5 X 14MM Flat Head Screw	2	\$1.25 ea	
197-50615-21	Allen Key	1	\$1.25 ea	

Also be sure to check out our web site at:

WWW.regent-halex.com

• Parts Ordering • Owners Manual • Product Information



© 2007
Regent Sports Corporation
Hauppauge, New York