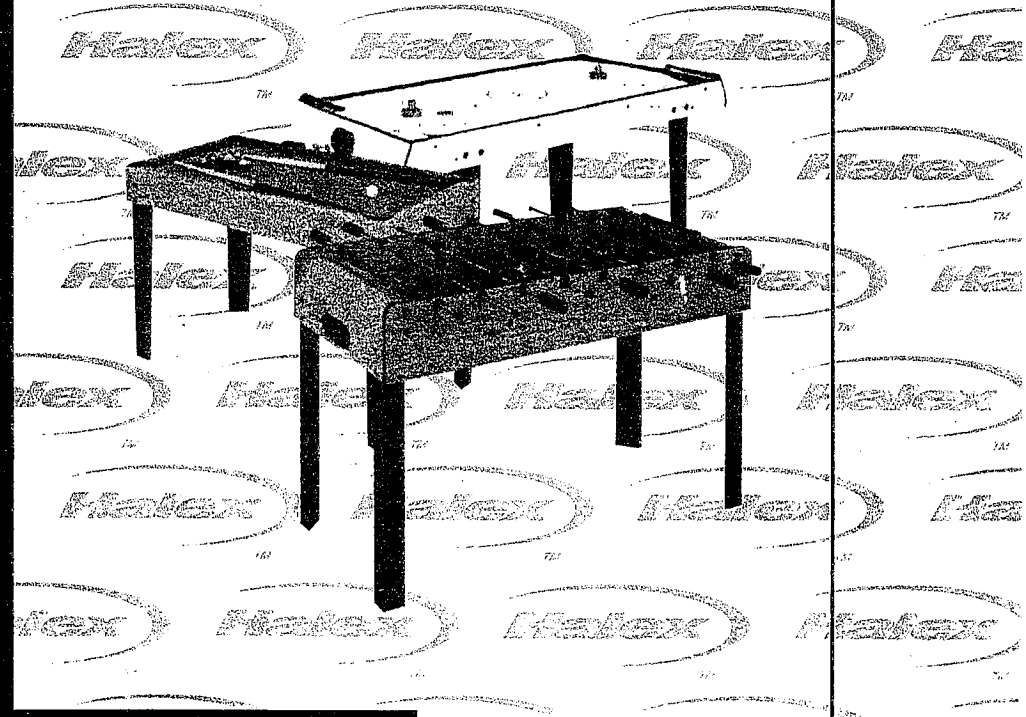


Halex™ Halex™ Halex™ Ha

Halex™ Halex™ Halex™ Halex™

TABLE  
**Games**

**Assembly instructions**



50611TRU

**PLEASE DO NOT RETURN THIS ITEM TO THE STORE!**

**Should you have a defect or parts issue, please refer to the warranty instructions listed below and contact Regent Sports at our toll free number!!**

**LIMITED 90 DAY WARRANTY**

This Halex product is warranted to be free from defects in workmanship or materials at the time of purchase for a period of 90 (ninety) days. Certain restrictions apply (see below).

Should any evidence of defects appear within the limited warranty period after the date of purchase, Regent Sports will either send replacement parts or advise of another course of action. A list of replaceable parts can be found on the parts order form page of this manual. Parts not listed on this order form are not replaceable. **Table tops, playing surfaces, and main frames are not replaceable.** This warranty covers normal consumer use and does not cover failures, which result from alterations, accidents, misuse, abuse, or neglect.

For prompt warranty service and special offers, please register your Halex product at our customer service center by visiting our website at: [www.regent-halex.com](http://www.regent-halex.com). Enter the following unique registration number followed by the item number of your table found on the cover of this manual: 1ZAK7 \_\_\_\_\_. You must register your product within 30 days of purchase to be eligible for warranty service. Please make sure to visit our website to order additional parts not covered under the warranty, as well as on-line instruction manuals and new product information. You may also order parts by calling our automated voice recognition system (877) 516-8707.

**A purchase receipt or other proof of date of purchase will be required before warranty service is performed.** Requests for warranty service can be provided by e-mailing the customer service department at [cstables@regent-halex.com](mailto:cstables@regent-halex.com) or by calling customer service at:

**877-516-9707 (Toll Free)**

**10:00 AM to 6:00 PM, EST. (Dec. through Jan.)**

**10:00 AM to 5:00 PM, EST. (Feb. through Nov.)**

Or send request in writing to:

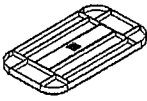
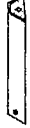



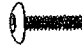

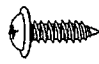


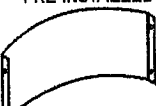



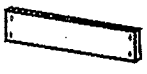





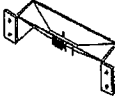
**Regent Sports Corporation**  
45 Ranick Road  
Hauppauge, NY 11788  
Attn: Halex Customer Service

This warranty gives you specific legal rights and you may have other rights that vary from state to state.

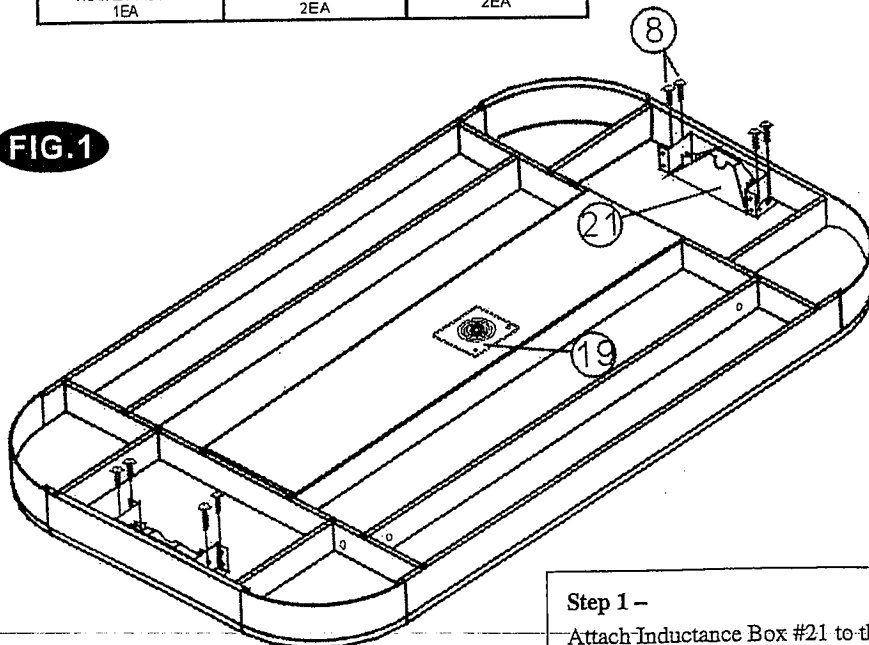
# AIR HOCKEY

## 50611TRU

### PARTS LIST

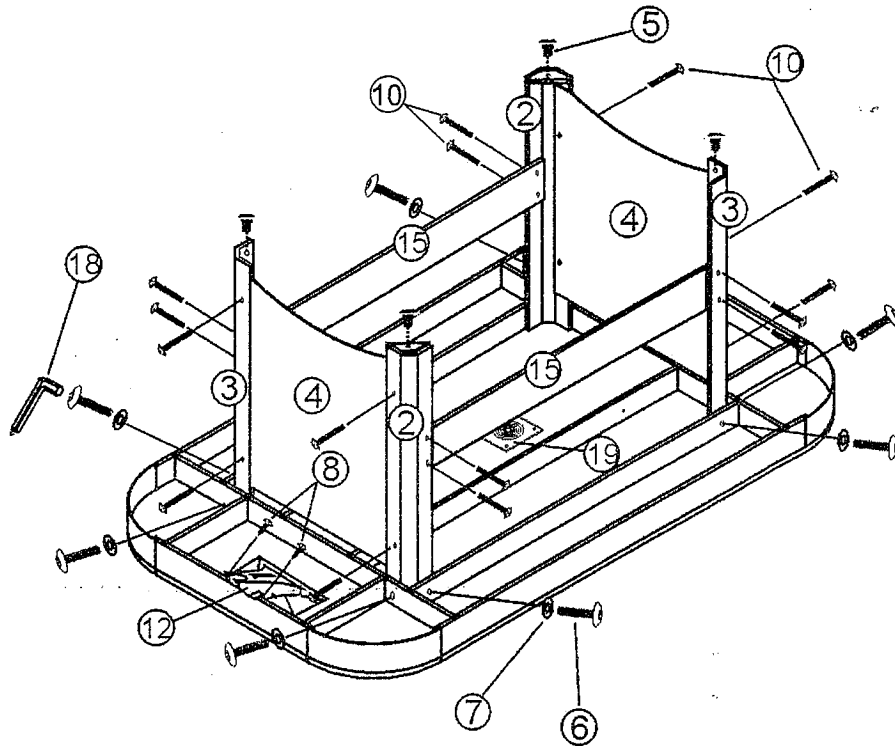
① 197-50611TRU-01  TABLE ASSEMBLY	② 197-50611TRU-02  RIGHT LEG 2EA	③ 197-50611TRU-03  LEFT LEG 2EA	④ 197-50611TRU-04  LEG END PANEL 2EA	⑤ 197-50611TRU-05  LEG LEVELER 4EA	⑥ 197-50611TRU-06  8X30MM LEG BOLT 8EA
⑦ 197-50611TRU-07  22MM FLAT WASHER 8EA	⑧ 197-50611TRU-08  3.5X12MM WASHER HEAD SCREW 12EA	⑨ 197-50611TRU-09  3.5X25MM FLAT HEAD SCREW 4EA	⑩ 197-50611TRU-10  4X25MM WASHER HEAD BOLT 16EA	⑪ 197-50611TRU-11 PRE-INSTALLED  APRON CORNER 4EA	⑫ 197-50611TRU-12  PUCK RETURN VNUIT 2EA
⑬ 197-50611TRU-13  PUSHER 2EA	⑭ 197-50611TRU-14  PUCK 4EA	⑮ 197-50611TRU-15  LEG SIDE BRACE 2EA	⑯ 197-50611TRU-16  LED SCORER 1EA	⑰ 197-50611TRU-17  3.5X14MM FLAT HEAD SCREW 2EA	⑱ 197-50611TRU-18  ALLEN KEY 1EA
⑲ 197-50611TRU-19 PRE-INSTALLED  HOCKEY MOTOR 1EA	⑳ 197-50611TRU-20  SCORER 2EA	㉑ 197-50611TRU-21  INDUCTANCE BOX 2EA			

**FIG. 1**



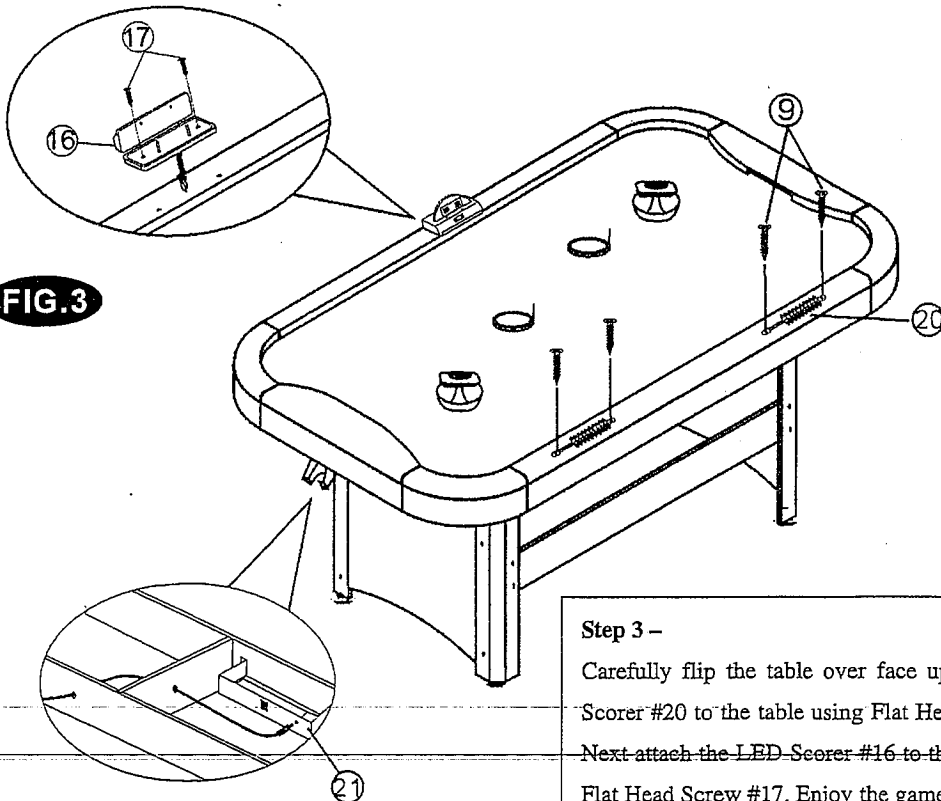
**Step 1 –**  
Attach Inductance Box #21 to the table using Washer Head Screw #8.

**FIG. 2**



**Step 2 –**

Place table face down on a flat surface. Attach Right Legs #2 and Left Legs #3 to the table using Leg Bolt #6 and Flat Washer #7. Make sure to place the legs correctly. Next attach the Leg End Panel #4 to the legs using Washer Head Bolt #10. Next attach the Leg Side Brace #15 to the legs using Washer Head Bolt #10. Next attach the Puck Return Unit #12 to the Table Assembly #1 using Washer Head Screw #8.



**FIG. 3**

**Step 3 –**

Carefully flip the table over face up. Attach the Scorer #20 to the table using Flat Head Screw #9. Next attach the LED Scorer #16 to the table using Flat Head Screw #17. Enjoy the game!

# PL-307 SCORER

**FIG.1**

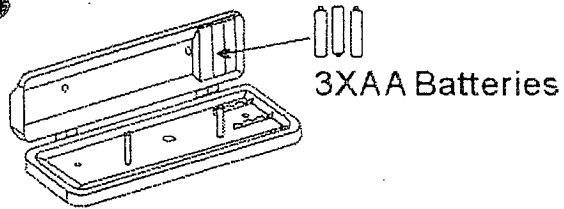


FIG.1: Insert 3 AA Batteries to the correct place.

**FIG.2**

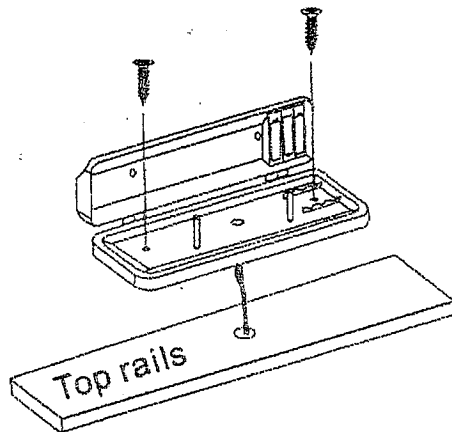
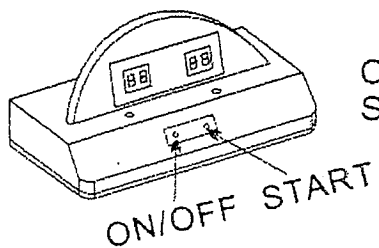


FIG.2: Attach the Scorer to the table top rails using two Screws.

**FIG.3**



ON/OFF Button : Power switch  
START Button: Press the button to begin the game

## PARTS ORDER FORM

If for some reason you are missing any assembly parts for your Halex game table, please call the Regent Sports Customer Service line at (1877) 516-9707 (toll free) between the hours of 10:00am and 5:00 pm EST or go online at [www.regent-halex.com](http://www.regent-halex.com) for parts ordering. Please refer to the REGENT SPORTS LIMITED WARRANTY concerning missing and defective parts.

Parts also may be ordered by filling out the form below. Please fill in all the information and return to:

REGENT SPORTS CORP.  
45 RANICK ROAD  
HAUPPAUGE, NEW YORK, 11788  
ATTN: CUSTOMER SERVICE

REGENT SPORTS CORP. requires that all orders for replacement parts must be paid by check, money order, VISA, or MC. Cash is not accepted. Please make all checks or money orders payable to REGENT SPORTS CORP. *Please note all prices include shipping and handling.*

Name of Purchaser: \_\_\_\_\_  
Address: \_\_\_\_\_  
City: \_\_\_\_\_  
State: \_\_\_\_\_ Zip Code: \_\_\_\_\_  
Phone: \_\_\_\_\_

Part #	Description	Quantity	Price	Total Cost
197-50611TRU-02	Right Leg	2	\$13.00each	
197-50611TRU-03	Left Leg	2	\$13.00 each	
197-50611TRU-04	Leg End Panel	2	\$12.00 each	
197-50611TRU-05	Leg Leveler	4	\$5.00 each	
197-50611TRU-06	Leg Bolt 8 x 30mm	8	\$1.50 each	
197-50611TRU-07	Flat Washer 22mm	8	\$1.50 each	
197-50611TRU-08	Washer Head Screw 3.5 x 12mm	12	\$1.50 each	
197-50611TRU-09	Flat Head Screw 3.5 x 25mm	4	\$1.50 each	
197-50611TRU-10	Washer Head Bolt 4 x 25mm	16	\$1.50 each	
197-50611TRU-11	Apron Corner	4	\$5.00 each	
197-50611TRU-12	Puck Return Unit	2	\$5.00 each	
197-50611TRU-13	Pusher	2	\$5.00 each	
197-50611TRU-14	Puck	4	\$2.00 each	
197-50611TRU-15	Leg Side Brace	2	\$10.00 each	
197-50611TRU-16	Electronic Scorer	1	\$15.00 each	
197-50611TRU-17	Flat Head Screw 3.5 x 14mm	2	\$1.50 each	
197-50611TRU-19	Fan	1	\$10.00 each	
197-50611TRU-20	Slide Scorer	2	\$7.00 each	
197-50611TRU-21	Inductance Box	2	\$5.00 each	

Also be sure to check out our web site at:

**[www.regent-halex.com](http://www.regent-halex.com)**

• Parts Ordering • Owners Manual • Product Information



© 2007  
Regent Sports Corporation  
Hauppauge, New York