

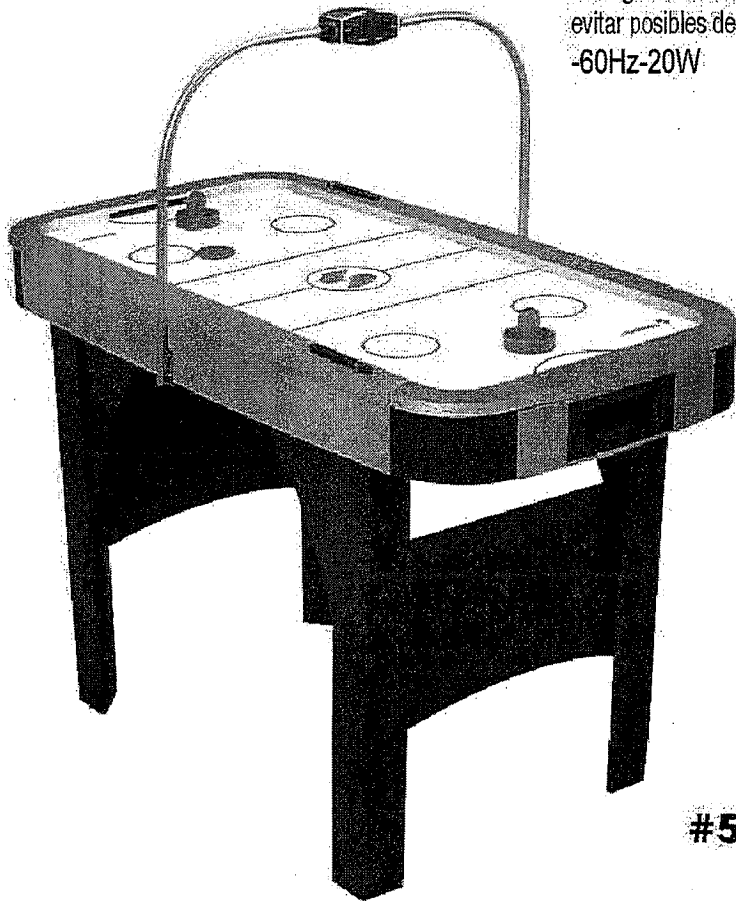


CAUTION: ELECTRIC TOY.

Not recommended for children under 6 years of age.
As with all electric products, precautions should be observed during handling and use to prevent electric shock.
INPUT: 110~120VAC-60Hz-20W

PRECAUCIÓN: FUNCIONA CON ELECTRICIDAD.

No recomendado para niños menores de 6 años.
Al funcionar con electricidad, deben cumplirse los consejos de seguridad durante la manipulación y la utilización para evitar posibles descargas eléctricas. ENTRADA: 110~120VAC-60Hz-20W



#50473



WARNING:

Adult assembly required.



ADVERTENCIA:

Las tareas de montaje debe realizarlas un adulto.



66" Air Hockey Table with Overhead Scoring

Mesa de hockey de aire de 168 cm. con puntuación visible en la parte superior

LIMITED 90 DAY WARRANTY

This Halex product is warranted to be free from defects in workmanship or materials at the time of purchase for a period of 90 (ninety) days. Certain restrictions apply (see below).

Should any evidence of defects appear within the limited warranty period after the date of purchase, Regent Sports will either send replacement parts or advise of another course of action. A list of replaceable parts can be found on the parts order form page of this manual. Parts not listed on this order form are not replaceable. **Table tops, playing surfaces, and main frames are not replaceable.** This warranty covers normal consumer use and does not cover failures, which result from alterations, accidents, misuse, abuse, or neglect.

For prompt warranty service and special offers, please register your Halex product at our customer service center by visiting our website at: www.regent-halex.com. Enter the following unique registration number followed by the item number of your table found on the cover of this manual: 1ZAK7 _____. You can also register your product on our automated voice recognition system at the toll free number below. You must register your product within 30 days of purchase to be eligible for warranty service. Please make sure to visit our website to order additional parts not covered under the warranty, as well as on-line instruction manuals and new product information. You may also order parts by calling our automated voice recognition system.

A purchase receipt or other proof of date of purchase will be required before warranty service is performed. Requests for warranty service can be provided by e-mailing the customer service department at cstables@regent-halex.com or by calling customer service at:

877-516-9707 (Toll Free)

10:00 AM to 6:00 PM, EST. (Dec. through Jan.)

10:00 AM to 5:00 PM, EST. (Feb. through Nov.)

Or send request in writing to:

Regent Sports Corporation
45 Ranick Road
Hauppauge, NY 11788
Attn: Halex Customer Service



This warranty gives you specific legal rights and you may have other legal rights that vary from state to state.

CARE AND USE OF YOUR TABLE

WARNING: To reduce the risk of fire, electric shock or injury to persons, use this unit only in the manner intended by the manufacturer. If you have any question, contact the manufacturer. Before servicing or cleaning the unit, switch the power off and unplug the adapter from the wall outlet.

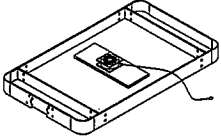


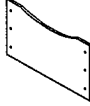

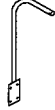









This appliance has a polarized plug (one blade is wider than the other). To reduce the risk of electric shock, this plug is intended to fit in a polarized outlet only one way. If the plug does not fit fully in the outlet, reverse the plug. If it still does not fit, contact a qualified electrician. **DO NOT** attempt to defeat this safety feature.

1. Use spray furniture polish to clean all exterior surfaces of your game table.
2. Use only a suitable 120v AC household outlet.
3. This product is intended for INDOOR use only.
4. **DO NOT** sit, climb or lean on the table.
5. **DO NOT** drag the table when moving it. This will damage the leg.
6. The fan should be unplugged before cleaning and servicing.

NOTE TO PARENTS

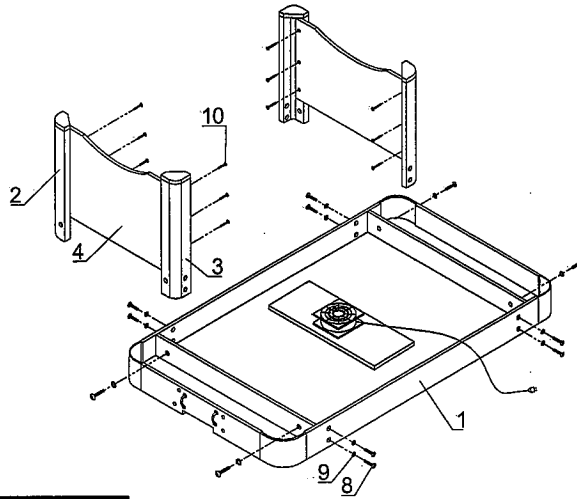
The transformer and toy should be examined periodically for conditions like frayed or loose wires, metal touching metal, dirty electrical contacts, careless or sloppy wiring such as damage to the output cord, housing or other parts that may result in fire, electric shock or injury. In the event of such conditions, the transformer should not be used until properly repaired. Read all instructions carefully before you begin to play. Remember this table is designed to be played by adults and/or children under adult supervision.

Part list for 50473

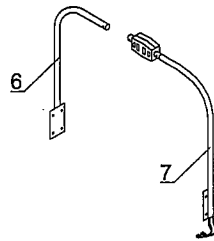
<p>#1</p>  <p>Main frame 1piece</p>	<p>#2</p>  <p>Right leg 2pieces</p>	<p>#3</p>  <p>Left leg 2pieces</p>	<p>#4</p>  <p>Leg panel 2pieces</p>
<p>#5</p>  <p>Goals 2pieces</p>	<p>#6</p>  <p>Metal duct 1piece</p>	<p>#7</p>  <p>Electronic scorer 1piece</p>	<p>#8</p>  <p>Leg bolt 12pieces</p>
<p>#9</p>  <p>Leg washer 12pieces</p>	<p>#10</p>  <p>1/2" screw 28pieces</p>	<p>#11</p>  <p>Allen wrench 1piece</p>	<p>#12</p>  <p>Bolt 2pieces</p>
<p>#13</p>  <p>Pusher 2pieces</p>	<p>#14</p>  <p>Pusher felt sticker 2pieces</p>	<p>#15</p>  <p>Round puck 2pieces</p>	

Step 1

Lay the main frame of the table upside down on a clean dry surface. Align legs #2 and #3 up to the pre drilled holes and attach using bolts #8 washers#9. Repeat this process for all 4 legs. Next attach the end panels #4 to each leg assembly using screws #10.

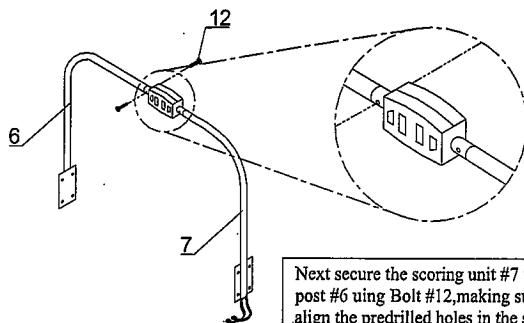


Step 2



Assembly the electronic scoring unit #7 to its support posts #6

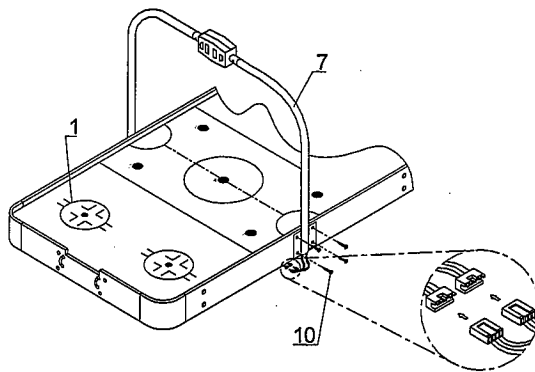
Step 3



Next secure the scoring unit #7 to the support post #6 using Bolt #12, making sure that you correctly align the predrilled holes in the scoring unit with the predrilled holes in the support post.

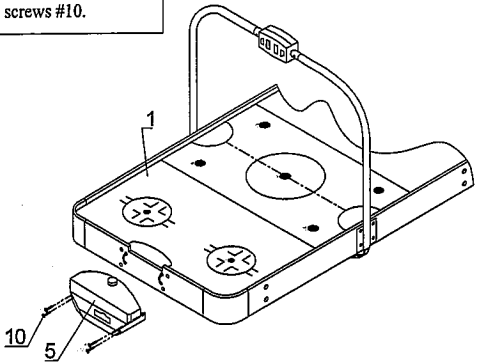
Attach overhead scoring assembly to the table. Line up the support posts with the predrilled holes on the side of the table and secure it with screw #10. Connect the remaining ends of the wires as shown. Need 3 pieces "AAA" batteries. Batteries not include.

Step 4



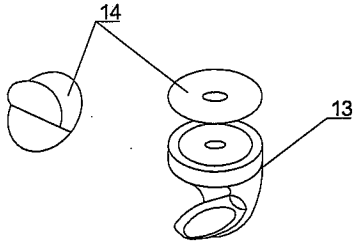
Step 5

To complete the assembly attach goal units #5 to each end of the table using screws #10.



Step 6

Place felt pads #14 to each pusher #13 before game play.



PARTS ORDER FORM

If for some reason you are missing any assembly parts for your Halex game table, please call the Regent Sports Customer Service line at 1-877 516-9707 (toll free) between the hours of 10:00am and 5:00 pm EST or go online at www.regent-halex.com for parts ordering. Please refer to the REGENT SPORTS LIMITED WARRANTY concerning missing and defective parts.

Parts also may be ordered by filling out the form below. Please fill in all the information and return to:

REGENT SPORTS CORP.
45 RANICK ROAD
HAUPPAUGE, NEW YORK, 11788
ATTN: CUSTOMER SERVICE

REGENT SPORTS CORP. requires that check, money order, VISA, or MC must pay all orders for replacement parts. Cash is not accepted. Please make all checks or money orders payable to REGENT SPORTS CORP. *Please note all prices include shipping and handling.*

Name of Purchaser: _____
Address: _____
City: _____
State: _____ Zip Code: _____
Phone: _____

Part #	Description	Quantity	Price	Total Cost
197-50473-02	Right Leg	2	\$12.50 ea	
197-50473-03	Left Leg	2	\$12.50 ea	
197-50473-04	Leg Panel	2	\$10.00 ea	
197-50473-05	Goals	2	\$5.00 ea	
197-50473-06	Metal Duct	1	\$5.00 ea	
197-50473-07	Electronic Scorer	1	\$7.00 ea	
197-50473-08	Leg Bolt	12	\$1.00 ea	
197-50473-09	Leg Washer	12	\$1.00 ea	
197-50473-10	½" Screw	28	\$1.00 ea	
197-50473-11	Allen Wrench	1	\$1.00 ea	
197-50473-12	Bolt	2	\$1.00 ea	
197-50473-13	Pusher	2	\$4.00 ea	
197-50473-14	Pusher Felt Sticker	2	\$3.00 ea	
197-50473-15	Round Puck	2	\$2.00 ea	

Power Glide Hockey

Rules of Play

The Object of the Game

The object of Power Glide Hockey is to be the first player to score 10 goals against the opposing player.

Beginning the Game

A coin toss is used to determine which player starts with the puck ("serve"). The player winning the coin toss gets the puck and begins play by striking the puck with his/her pusher onto the opponent's side.

During Play

Players can strike the puck anywhere on their half of the playing surface. Players cannot cross the centerline to strike the puck. If a goal is scored when a player strikes the puck over the centerline, it does not count.

A player may stand anywhere around the table on his/her side of the centerline. Players may not stand past that line.

When the puck contacts any part of the centerline, either player may strike the puck to score.

Scoring

A goal is scored when the puck enters and drops inside the opponent's goal.

The player scored upon receives possession of the puck for the next serve.

What Counts as a Goal?

If the puck stops in the goal and has tilted into the goal drop, it counts as a goal.

If the puck stops in the goal and has not tilted into the goal, it does not count as a goal. Player can move the puck out of the goal area with his/her hand or pusher.

If the puck rebounds out of the goal, the point does not count.

Winning

The first player to score 10 points is declared the winner.



www.toysrus.com

#50473



Contents and colors may vary.
El contenido y los colores pueden variar.

STATS is a mark of Geoffrey, Inc., a subsidiary of Toys "R" Us, Inc.
© Copyright 2007 Geoffrey, Inc.
Made in China
Distributed in the United States by Toys "R" Us, Inc., Wayne, NJ 07470
Distributed in Australia by Toys "R" Us (Australia) PTY Ltd.,
Regents Park NSW 2143