

Hockey

Halex Halex Halex Ha

lex Halex Halex Halex

TABLE

# Games

Halex Ha

*Assembly instructions*

lex Halex Halex

Halex Halex Halex Ha

lex Halex Halex

Halex Halex Ha

lex Halex Halex Halex

Halex Halex Ha

lex Halex Halex Halex

Halex Halex Ha



50410

# **Power Glide Hockey**

## **Rules of Play**

### **The Object of the Game**

The object of Power Glide Hockey is to be the first player to score 10 goals against the opposing player.

### **Beginning the Game**

A coin toss is used to determine which player starts with the puck ("serve"). The player winning the coin toss gets the puck and begins play by striking the puck with his/her pusher onto the opponent's side.

### **During Play**

Players can strike the puck anywhere on their half of the playing surface. Players cannot cross the centerline to strike the puck. If a goal is scored when a player strikes the puck over the centerline, it does not count.

A player may stand anywhere around the table on his/her side of the centerline. Players may not stand past that line.

When the puck contacts any part of the centerline, either player may strike the puck to score.

### **Scoring**

A goal is scored when the puck enters and drops inside the opponent's goal.

The player scored upon receives possession of the puck for the next serve.

### **What Counts as a Goal?**

If the puck stops in the goal and has tilted into the goal drop, it counts as a goal.

If the puck stops in the goal and has not tilted into the goal, it does not count as a goal. Player can move the puck out of the goal area with his/her hand or pusher.

If the puck rebounds out of the goal, the point does not count.

### **Winning**

The first player to score 10 points is declared the winner.



## CARE AND USE OF YOUR TABLE

**WARNING:** To reduce the risk of fire, electric shock or injury to persons, use this unit only in the manner intended by the manufacturer. If you have any question, contact the manufacturer. Before servicing or cleaning the unit, switch the power off and unplug the adapter from the wall outlet.

This appliance has a polarized plug (one blade is wider than the other). To reduce the risk of electric shock, this plug is intended to fit in a polarized outlet only one way. If the plug does not fit fully in the outlet, reverse the plug. If it still does not fit, contact a qualified electrician. **DO NOT** attempt to defeat this safety feature.

1. Use spray furniture polish to clean all exterior surfaces of your game table.
2. Use only a suitable 120v AC household outlet.
3. This product is intended for INDOOR use only.
4. DO NOT sit, climb or lean on the table.
5. DO NOT drag the table when moving it. This will damage the leg.
6. The fan should be unplugged before cleaning and servicing.

## **LIMITED 90 DAY WARRANTY**

This Halex product is warranted to be free from defects in workmanship or materials at the time of purchase for a period of 90 (ninety) days. Certain restrictions apply (see below).

Should any evidence of defects appear within the limited warranty period after the date of purchase, Regent Sports will either send replacement parts or advise of another course of action. A list of replaceable parts can be found on the parts order form page of this manual. Parts not listed on this order form are not replaceable. **Table tops, playing surfaces, and main frames are not replaceable.** This warranty covers normal consumer use and does not cover failures, which result from alterations, accidents, misuse, abuse, or neglect.

For prompt warranty service and special offers, please register your Halex product at our customer service center by visiting our website at: [www.regent-halex.com](http://www.regent-halex.com). Enter the following unique registration number followed by the item number of your table found on the cover of this manual: 1ZAK7 \_\_\_\_\_. You must register your product within 30 days of purchase to be eligible for warranty service. Please make sure to visit our website to order additional parts not covered under the warranty, as well as on-line instruction manuals and new product information. You may also order parts by calling our automated voice recognition system at: 877-516-9707 (Toll Free).

**A purchase receipt or other proof of date of purchase will be required before warranty service is performed.** Requests for warranty service can be provided by e-mailing the customer service department at [cstables@regent-halex.com](mailto:cstables@regent-halex.com) or by calling customer service at:

**877-516-9707 (Toll Free)**

**10:00 AM to 6:00 PM, EST. (Dec. through Jan.)**

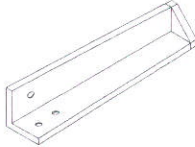

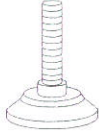

**10:00 AM to 5:00 PM, EST. (Feb. through Nov.)**

Or send request in writing to:

**Regent Sports Corporation**  
45 Ranick Road  
Hauppauge, NY 11788  
Attn: Halex Customer Service

This warranty gives you specific legal rights and you may have other rights that vary from state to state.

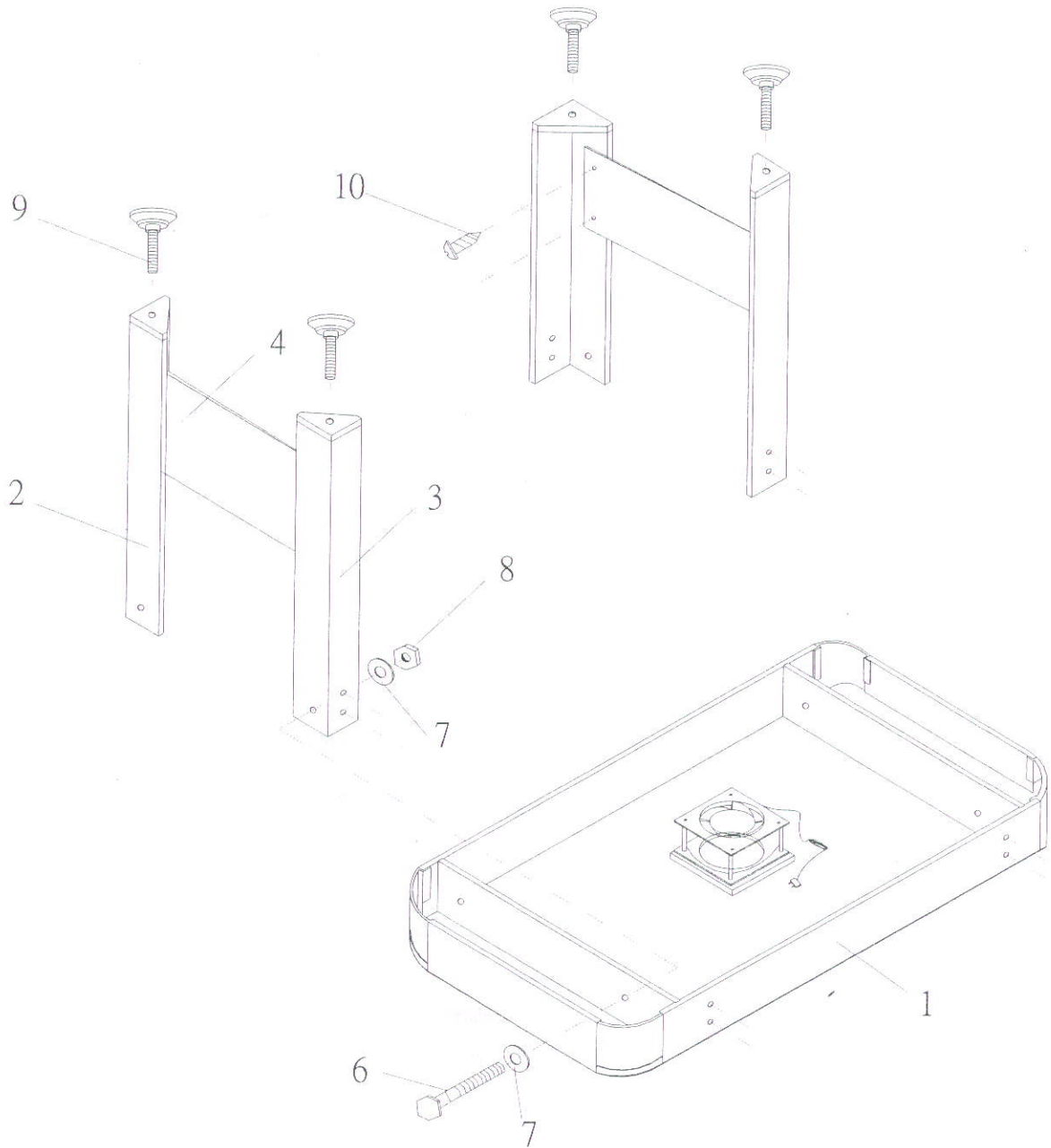
# 50410 Parts List

<p>#1</p>  <p>Main frame 1piece</p>	<p>#2</p>  <p>Left leg 2pieces</p>	<p>#3</p>  <p>Right leg 2pieces</p>	<p>#4</p>  <p>Leg panel 2pieces</p>
<p>#5</p>  <p>Goal 2pieces</p>	<p>#6</p>  <p>Leg bolt 12pieces</p>	<p>#7</p>  <p>Leg washer 24pieces</p>	<p>#8</p>  <p>Leg nut 12pieces</p>
<p>#9</p>  <p>Leg leveler 4pieces</p>	<p>#10</p>  <p>1/2" Screw 18pieces</p>	<p>#11</p>  <p>Wrench 1piece</p>	<p>#12</p>  <p>Electronic scores 1piece</p>
<p>#13</p>  <p>Pusher 2pieces</p>	<p>#14</p>  <p>Pusher felt sticker 2pieces</p>	<p>#15</p>  <p>Round puck 2pieces</p>	

# Assembly Instructions for 50410 Hockey Table

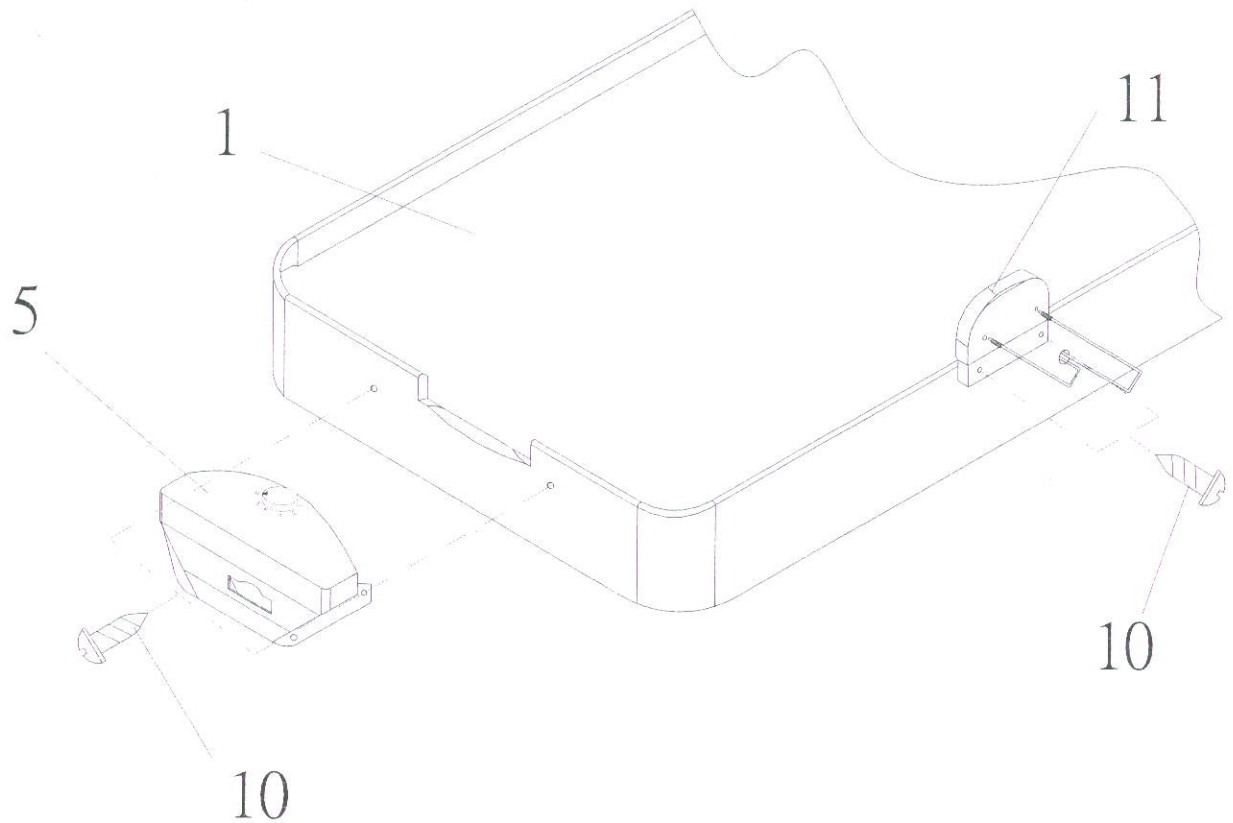
## Step 1

Place the main cabinet face down on a clean, flat surface. Attach the legs (parts #2 and #3) to the cabinet using the leg bolts (#6) and leg washers (#7) and leg nut (#8). Secure the leg end panels (#4) to each set of legs using the screws (#10). Screw the leg levelers (#9) into the bottom of each leg, as shown.



### Step 2

With the help of another adult, carefully flip the table over. Attach the goals (#5) to each end of the table using the screws (#10). Affix the electronic scorer (#11) to the main frame in the pre-drilled holes using the 1/2" screws (#10). Extend the wires found under the main frame to the electronic scorer (#11) and connect them in the appropriate acceptors as shown.



### Step 3

Peel off the backing on the pusher felt stickers (#14) and adhere to the pushers (#13).

