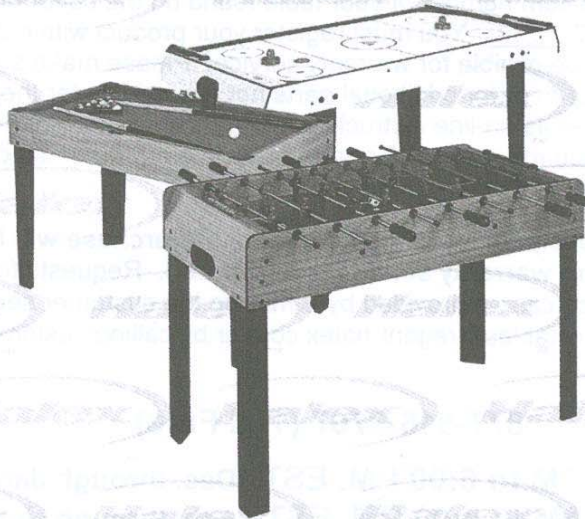


TABLE

# Games

*Assembly instructions*



50164-NHL

## **LIMITED 90 DAY WARRANTY**

This Halex product is warranted to be free from defects in workmanship or materials at the time of purchase for a period of 90 (ninety) days. Certain restrictions apply (see below).

Should any evidence of defects appear within the limited warranty period after the date of purchase, Regent Sports will either send replacement parts or advise of another course of action. A list of replaceable parts can be found on the parts order form page of this manual. Parts not listed on this order form are not replaceable. **Table tops, playing surfaces, and main frames are not replaceable.** This warranty covers normal consumer use and does not cover failures, which result from alterations, accidents, misuse, abuse, or neglect.

For prompt warranty service and special offers, please register your Halex product at our customer service center by visiting our website at: [www.regent-halex.com](http://www.regent-halex.com). Enter the following unique registration number followed by the item number of your table found on the cover of this manual: 1ZAK7 \_\_\_\_\_. You must register your product within 30 days of purchase to be eligible for warranty service. Please make sure to visit our website to order additional parts not covered under the warranty, as well as on-line instruction manuals and new product information. You may also order parts by calling our automated voice recognition system at: 877-516-9707 (Toll Free).

**A purchase receipt or other proof of date of purchase will be required before warranty service is performed.** Requests for warranty service can be provided by e-mailing the customer service department at [cstables@regent-halex.com](mailto:cstables@regent-halex.com) or by calling customer service at:

**877-516-9707 (Toll Free)**

**10:00 AM to 6:00 PM, EST. (Dec. through Jan.)**

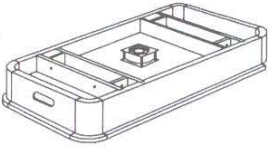
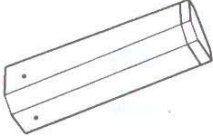


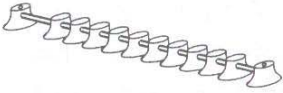
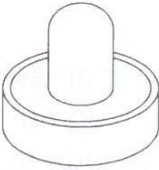
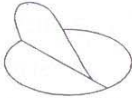

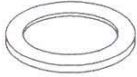
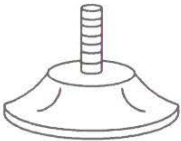
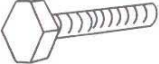
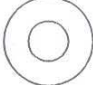
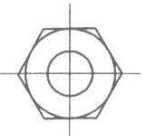
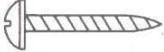
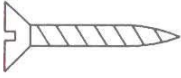


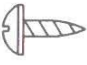
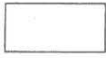
**10:00 AM to 5:00 PM, EST. (Feb. through Nov.)**

Or send request in writing to:

**Regent Sports Corporation**  
45 Ranick Road  
Hauppauge, NY 11788  
Attn: Halex Customer Service

This warranty gives you specific legal rights and you may have other rights that vary from state to state.

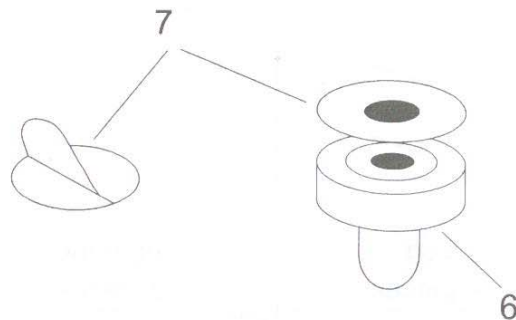
# Parts List For 50164-NHL

<p>#1</p>  <p>Main Frame 1 piece</p>	<p>#2</p>  <p>Leg 4 pieces</p>	<p>#3</p>  <p>Leg panel 2 pieces</p>	<p>#4</p>  <p>Goal 2 pieces</p>
<p>#5</p>  <p>Scorer 2 pieces</p>	<p>#6</p>  <p>Pusher 2 pieces</p>	<p>#7</p>  <p>Pusher felt sticker 2 pieces</p>	<p>#8</p>  <p>Red puck 2 pieces</p>
<p>#9</p>  <p>Yellow puck 2 pieces</p>	<p>#10</p>  <p>Leg leveler 4 pieces</p>	<p>#11</p>  <p>Leg Bolt 8 pieces</p>	<p>#12</p>  <p>Leg Washer 16 pieces</p>
<p>#13</p>  <p>Leg nut 8 Pieces</p>	<p>#14</p>  <p>1" round head screw 12 pieces</p>	<p>#15</p>  <p>1" flat head screw 4 pieces</p>	<p>#16</p>  <p>Wrench 1 piece</p>
<p>#17</p>  <p>Electronic scorer 1 piece</p>	<p>#18</p>  <p>5/8" Phillips head screw 4 pieces</p>	<p>#19</p>  <p>Sticker Sheet 1 pieces</p>	

# Assembly Instructions

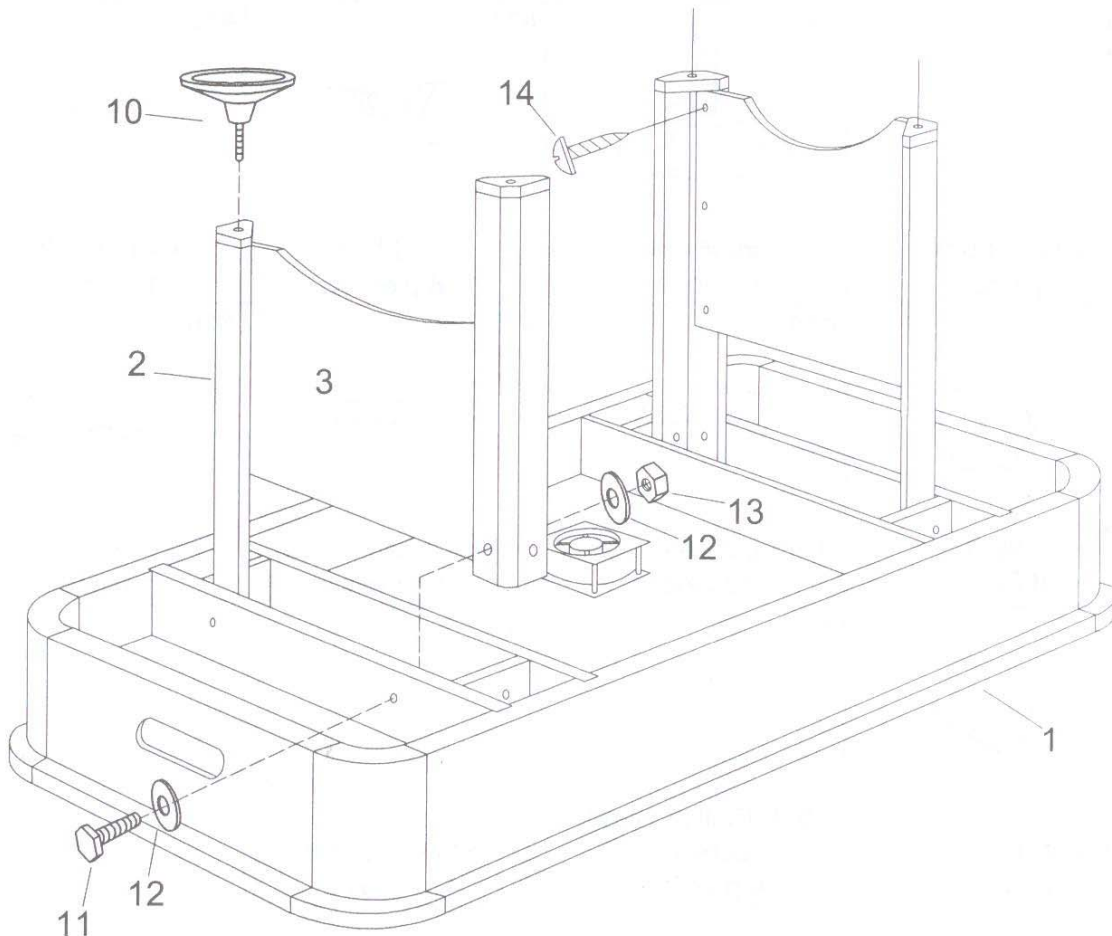
## Step 1

Adhere the Pusher felt stickers (#7) to the Pushers (#6).



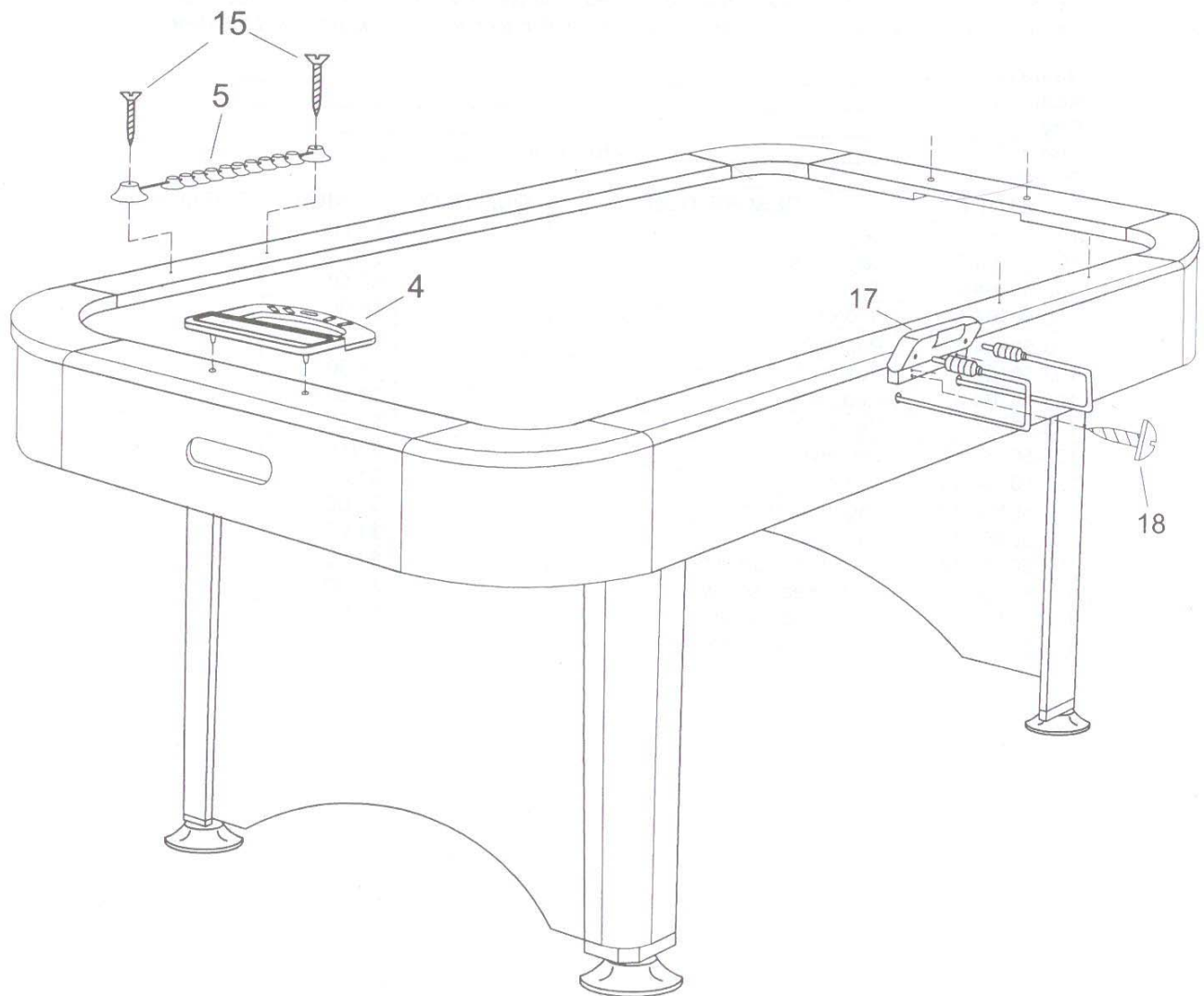
## Step 2

Place the main frame (#1) face down on a flat, clean surface. Attach the legs (#2) using the leg bolts (#11), leg washers (#12) and leg nut (#13) as shown in the diagram. Affix the leg panels (#3) to each set of legs using the 1" round head screws (#14) as shown. Screw the leg levelers (#10) into the bottom of each leg.



### Step 3

Attach the scorer (#5) to the top rail of the main frame by screwing the 1" flat head screws (#15) into the pre-drilled holes. Next insert the goals (#4) into the appropriate pre-drilled holes at each end of the main frame. These goals are optional and can be removed for standard game play. Affix the electronic scorer (#17) to the main frame in the pre-drilled holes using the 5/8" Phillips head screws (#18). Extend the wires found under the main frame to the electronic scorer (#17) and connect them in the appropriate acceptors.



# 50164-NHL

## PARTS ORDER FORM

If for some reason you are missing any assembly parts for your Halex game table, please call the Regent Sports Customer Service line at (877) 516-9707 (toll free) between the hours of 10:00am and 5:00 pm EST or go online at [www.regent-halex.com](http://www.regent-halex.com) for parts ordering. Please refer to the REGENT SPORTS LIMITED WARRANTY concerning missing and defective parts.

Parts also may be ordered by filling out the form below. Please fill in all the information and return to:

REGENT SPORTS CORP.  
45 RANICK ROAD  
HAUPPAUGE, NEW YORK, 11788  
ATTN: CUSTOMER SERVICE

REGENT SPORTS CORP. requires that all orders for replacement parts must be paid by check, money order, VISA, or MC. Cash is not accepted. Please make all checks or money orders payable to REGENT SPORTS CORP. *Please note all prices include shipping and handling.*

Name of Purchaser: \_\_\_\_\_  
Address: \_\_\_\_\_  
City: \_\_\_\_\_  
State: \_\_\_\_\_ Zip Code: \_\_\_\_\_  
Phone: \_\_\_\_\_

Part #	Description	Quantity	Price	Total Cost
194-50164-2	Leg	4	\$15.00	
194-50164-3	Leg Panel	2	\$10.00	
300-10051R	Red Flat Goal	2	\$5.00	
030-01004R	Red Bubble Scorer	2	\$5.00	
030-01001TM	Red Translucent Pusher	2	\$3.00	
030-01003M	Pusher Felt Sticker	2	\$1.00	
030-01002TM	Red Translucent Puck	2	\$2.50	
030-01002TYM	Yellow Translucent Puck	2	\$2.50	
030-01006M	Leg Leveler	4	\$10.00	
194-50164-11	Leg Bolt	8	\$1.00	
194-50164-12	Leg Washer	16	\$1.00	
194-50164-13	Leg Nut	8	\$1.00	
194-50164-14	1" Round Head Screw	12	\$1.00	
194-50164-15	1" Flat Head Screw	4	\$1.00	
300-10042	Electronic Scorers	1	\$3.50	
194-50164-18	5/8" Phillips Head Screw	4	\$1.00	
194-50164-19	Sticker Sheet	1	\$2.50	

Also be sure to check out our web site at:

**[www.regent-halex.com](http://www.regent-halex.com)**

• Parts Ordering • Owners Manual • Product Information



© 2004  
Regent Sports Corporation  
Hauppauge, New York