

TABLE
Games

Assembly instructions



50160 AUST

Halex
TM

LIMITED 90 DAY WARRANTY

This Halex product is warranted to be free from defects in workmanship or materials at the time of purchase for a period of 90 (ninety) days. Certain restrictions apply (see below).

Should any evidence of defects appear within the limited warranty period after the date of purchase, Regent Sports will either send replacement parts or advise of another course of action. A list of replaceable parts can be found on the parts order form page of this manual. Parts not listed on this order form are not replaceable. **Table tops, playing surfaces, and main frames are not replaceable.** This warranty covers normal consumer use and does not cover failures, which result from alterations, accidents, misuse, abuse, or neglect.

For prompt warranty service and special offers, please register your Halex product at our customer service center by visiting our website at: www.regent-halex.com. Enter the following unique registration number followed by the item number of your table found on the cover of this manual: 1ZAK7 _____. You must register your product within 30 days of purchase to be eligible for warranty service. Please make sure to visit our website to order additional parts not covered under the warranty, as well as on-line instruction manuals and new product information. You may also order parts by calling our automated voice recognition system at: 877-516-9707 (Toll Free).

A purchase receipt or other proof of date of purchase will be required before warranty service is performed. Requests for warranty service can be provided by e-mailing the customer service department at cstables@regent-halex.com or by calling customer service at:

877-516-9707 (Toll Free)

10:00 AM to 6:00 PM, EST. (Dec. through Jan.)

10:00 AM to 5:00 PM, EST. (Feb. through Nov.)

Or send request in writing to:

Regent Sports Corporation

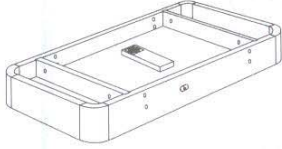
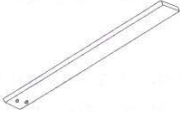
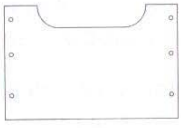
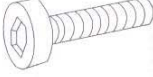
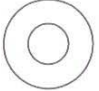
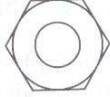
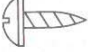
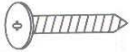

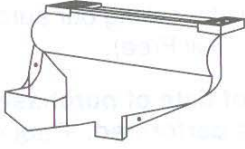
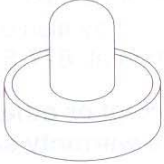
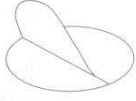

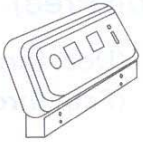


45 Ranick Road

Hauppauge, NY 11788

Attn: Halex Customer Service

This warranty gives you specific legal rights and you may have other rights that vary from state to state.

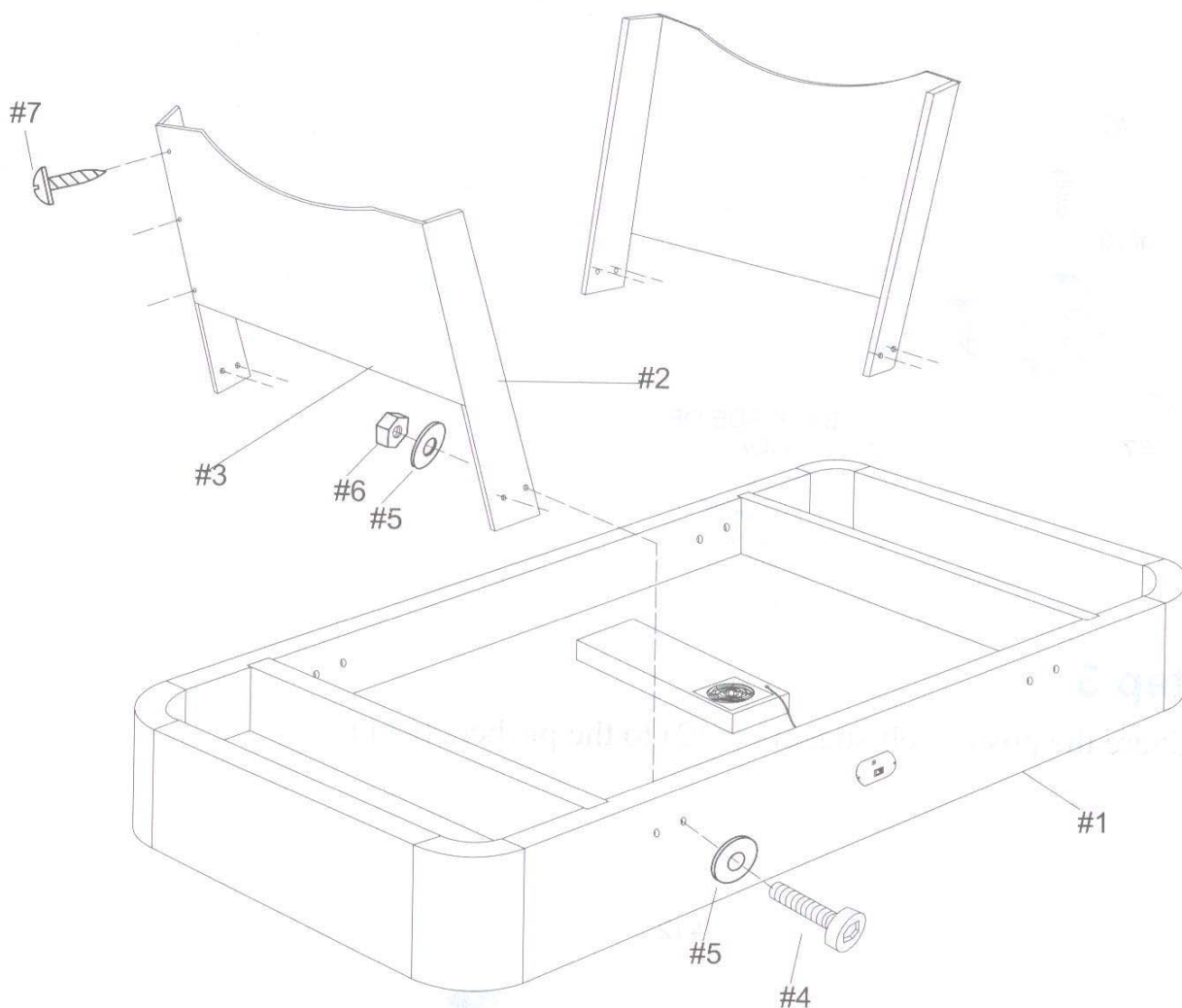
PARTS LIST FOR 50160

<p>#1</p>  <p>Main Frame 1 piece</p>	<p>#2</p>  <p>Leg 4 pieces</p>	<p>#3</p>  <p>Leg end panel 2 pieces</p>	<p>#4</p>  <p>Leg Bolt 8 pieces</p>
<p>#5</p>  <p>Leg Washer 16 pieces</p>	<p>#6</p>  <p>Leg nut 8 Pieces</p>	<p>#7</p>  <p>1/2" Phillips head screw 20pieces</p>	<p>#8</p>  <p>5/8"Flat head screw 4pieces</p>
<p>#9</p>  <p>Adapter 1piece</p>	<p>#10</p>  <p>Goals 2 pieces</p>	<p>#11</p>  <p>Pusher 2 pieces</p>	<p>#12</p>  <p>Pusher felt sticker 2 pieces</p>
<p>#13</p>  <p>Red puck 4pieces</p>	<p>#14</p>  <p>Electronic scorer 1 piece</p>	<p>#15</p>  <p>Allen tool 1 piece</p>	<p>#16</p>  <p>Wrench 1 piece</p>

Assembly Instructions

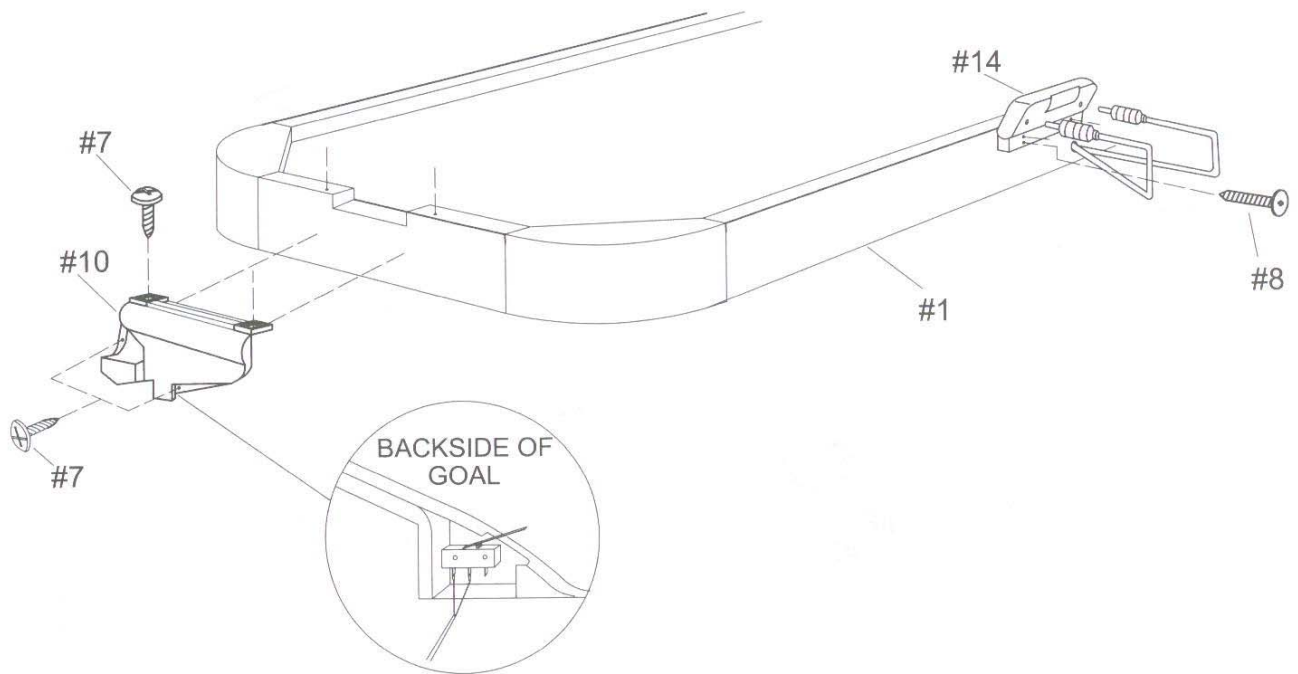
Step 1

Place the main frame (#1) face down on a flat, clean surface. Attach the legs (#2) to the main frame using the leg bolt (#4), leg washer (#5), and leg nut (#6) as shown in the diagram. Affix the leg end panel (#3) to the legs using 1/2"Phillips head screws (#7) as shown.



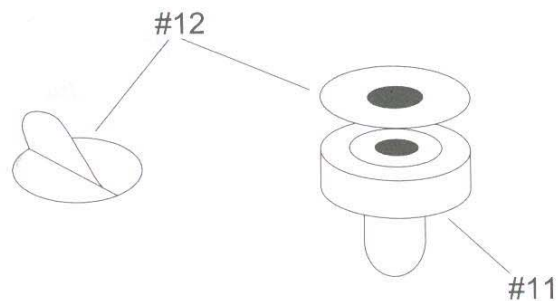
Step 2

With the help of another adult, carefully flip the table over. Attach the goals (#10) to each end of the table using the 1/2" Phillips head screws (#7) as shown. Affix the electronic scorer (#14) to the main frame in the pre-drilled holes using the 5/8" flat head screws (#8). Locate the switches underneath the table and attach each one switch to a goal. Attach the switch to the two small tabs on the backside of the goal. The switch will only fit in one direction as depicted in the diagram.



Step 3

Adhere the pusher felt stickers (#12) to the pushers (#11).



50160

PARTS ORDER FORM

If for some reason you are missing any assembly parts for your Halex game table, please call the Regent Sports Customer Service line at (877) 516-9707 (toll free) between the hours of 10:00am and 5:00 pm EST or go online at www.regent-halex.com for parts ordering. Please refer to the REGENT SPORTS LIMITED WARRANTY concerning missing and defective parts.

Parts also may be ordered by filling out the form below. Please fill in all the information and return to:

REGENT SPORTS CORP.
45 RANICK ROAD
HAUPPAUGE, NEW YORK, 11788
ATTN: CUSTOMER SERVICE

REGENT SPORTS CORP. requires that all orders for replacement parts must be paid by check, money order, VISA, or MC. Cash is not accepted. Please make all checks or money orders payable to REGENT SPORTS CORP. *Please note all prices include shipping and handling.*

Name of Purchaser: _____
Address: _____
City: _____
State: _____ Zip Code: _____
Phone: _____

Part #	Description	Quantity	Price	Total Cost
194-50160-2	Leg	2	\$12.00 EA	
194-50160-3	Leg End Panel	2	\$10.00 EA	
194-50160-4	Leg Bolt	8	\$1.00 EA	
194-50160-5	Leg Washer	16	\$1.00 EA	
194-50160-6	Leg Nut	8	\$1.00 EA	
194-50160-7	1/2"Phillips head screw	20	\$1.00 EA	
194-50160-8	5/8" Flat head screw	4	\$1.00 EA	
194-50160-9	Adapter	1	\$5.00	
0300-1005B	Goals	2	\$5.00 EA	
0300-1001M	Pushers	2	\$3.00 EA	
0300-1003M	Pusher Felt Sticker	2	\$1.50 EA	
0300-1002M	Red Puck	4	\$2.50 EA	
300-10041	Electronic Scorer	1	\$12.00	

Also be sure to check out our web site at:

www.regent-halex.com

• Parts Ordering • Owners Manual • Product Information



© 2004
Regent Sports Corporation
Hauppauge, New York