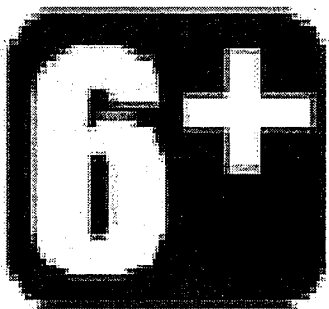
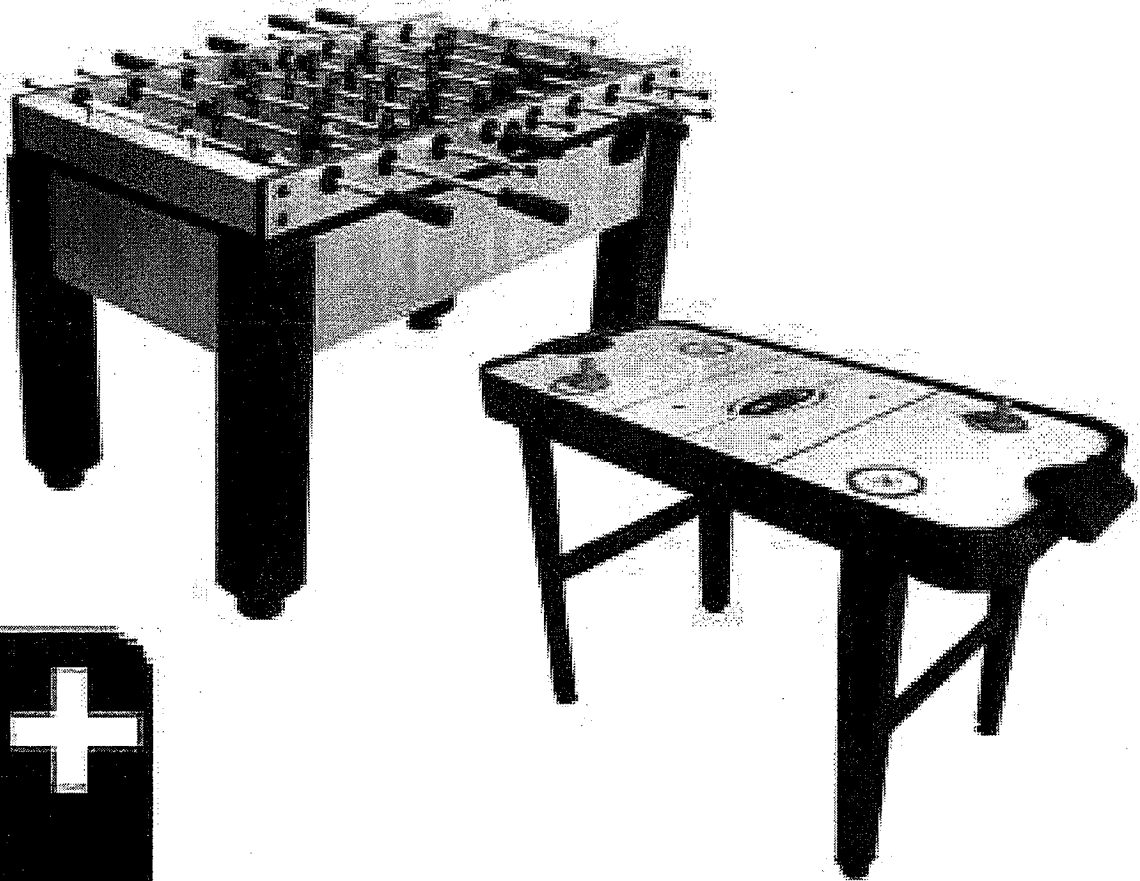


ASSEMBLY INSTRUCTIONS

**Cooper<sup>®</sup>**



**50102**

## **LIMITED 90 DAY WARRANTY**

This Cooper product is warranted to be free from defects in workmanship or materials at the time of purchase for a period of 90 (ninety) days. Certain restrictions apply (see below).

Should any evidence of defects appear within the limited warranty period after the date of purchase, Cooper will either send replacement parts or advise of another course of action. A list of replaceable parts can be found on the parts order form page of this manual. Parts not listed on this order form are not replaceable. **Table tops, playing surfaces, and main frames are not replaceable.** This warranty covers normal consumer use and does not cover failures, which result from alterations, accidents, misuse, abuse, or neglect.

For prompt warranty service and special offers, please register your Cooper product at our customer service center by visiting our website at: [www.regent-halex.com](http://www.regent-halex.com). Enter the following unique registration number followed by the item number of your table found on the cover of this manual: 1ZAK7 \_\_\_\_\_. You must register your product within 30 days of purchase to be eligible for warranty service. Please make sure to visit our website to order additional parts not covered under the warranty, as well as on-line instruction manuals and new product information. You may also order parts by calling our automated voice recognition system (877) 516-9707.

**A purchase receipt or other proof of date of purchase will be required before warranty service is performed.** Requests for warranty service can be provided by e-mailing the customer service department at [cstables@regent-halex.com](mailto:cstables@regent-halex.com) or by calling customer service at:

**877-516-9707 (Toll Free)**

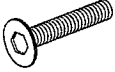




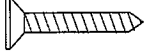
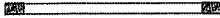

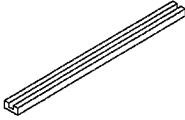
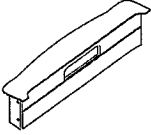
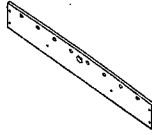
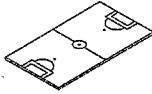


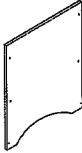
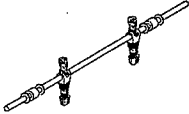
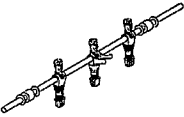
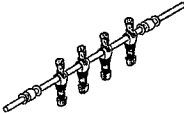
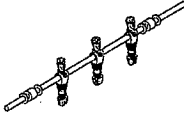
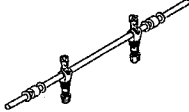
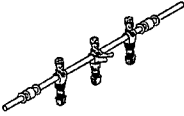
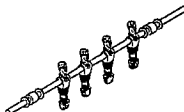
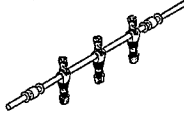
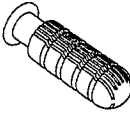
**10:00 AM to 6:00 PM, EST. (Dec. through Jan.)**

**10:00 AM to 5:00 PM, EST. (Feb. through Nov.)**





Or send request in writing to:

**Regent Sports Corporation**  
45 Ranick Road  
Hauppauge, NY 11788  
Attn: Cooper Customer Service

## 50102 Parts List

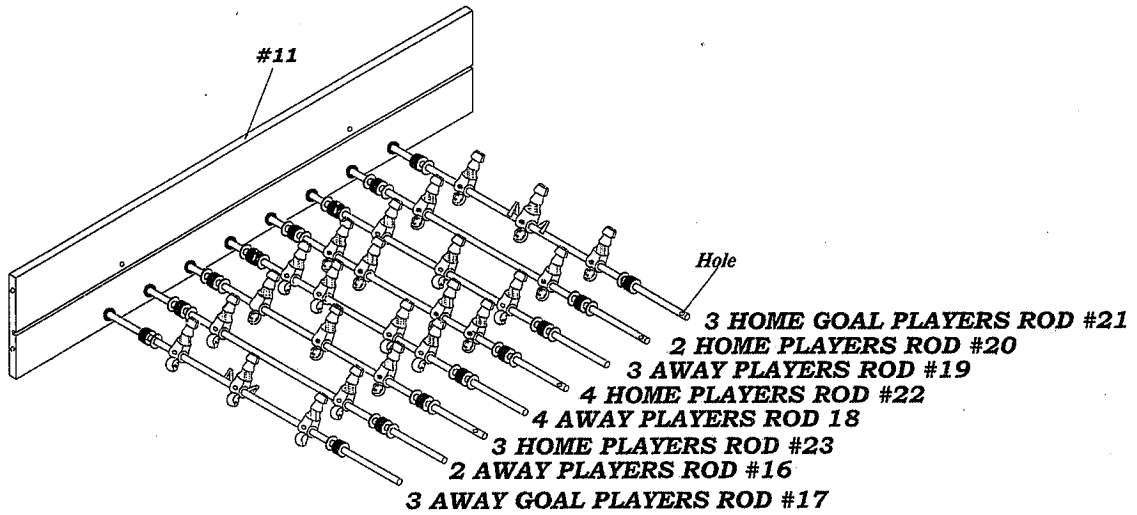
<p><b>#1</b></p>  <p>1/4" (0.635cm) bolt 20 pieces</p>	<p><b>#2</b></p>  <p>1/4" (0.635cm) washer 24 pieces</p>	<p><b>#3</b></p>  <p>1/2" (1.27cm) Round head screw 12 pieces</p>	<p><b>#4</b></p>  <p>tool 2 pieces</p>
<p><b>#5</b></p>  <p>tool 1 piece</p>	<p><b>#6</b></p>  <p>1" (2.54cm) flat head screw 4 pieces</p>	<p><b>#7</b></p>  <p>1/4" (0.635cm) support rod 2 pieces</p>	<p><b>#8</b></p>  <p>1/4" (0.635cm) nut 4 pieces</p>
<p><b>#9</b></p>  <p>playfield support brace 2 pieces</p>	<p><b>#10</b></p>  <p>end panel 2 pieces</p>	<p><b>#11</b></p>  <p>side panel 2 pieces</p>	<p><b>#12</b></p>  <p>playing field 1 piece</p>
<p><b>#13</b></p>  <p>left leg 2 pieces</p>	<p><b>#14</b></p>  <p>right leg 2 pieces</p>	<p><b>#15</b></p>  <p>Leg end panel 2 pieces</p>	<p><b>#16</b></p>  <p>2 away players rod 1 piece</p>
<p><b>#17</b></p>  <p>3 away goal players rod 1 piece</p>	<p><b>#18</b></p>  <p>4 away players rod 1 piece</p>	<p><b>#19</b></p>  <p>3 away players rod 1 piece</p>	<p><b>#20</b></p>  <p>2 home players rod 1 piece</p>
<p><b>#21</b></p>  <p>3 home goal players rod 1 piece</p>	<p><b>#22</b></p>  <p>4 home players rod 1 piece</p>	<p><b>#23</b></p>  <p>3 home players rod 1 piece</p>	<p><b>#24</b></p>  <p>rod handle 8 pieces</p>

## 50102 Parts List

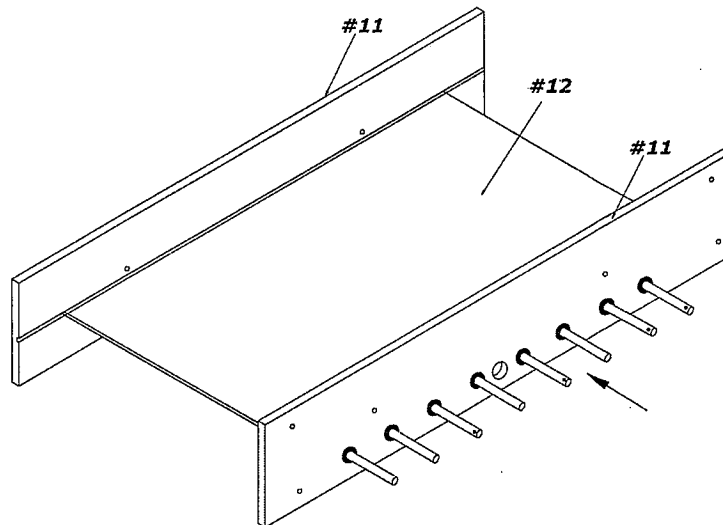
<p><b>#25</b></p>  <p>rod end cap 8 pieces</p>	<p><b>#26</b></p>  <p>slide scorer 2 pieces</p>	<p><b>#27</b></p>  <p>soccer ball 2 pieces</p>	<p><b># 28</b></p>  <p>Leg leveler 4 pieces</p>
---	--	--	--

# 50102 assembly instructions

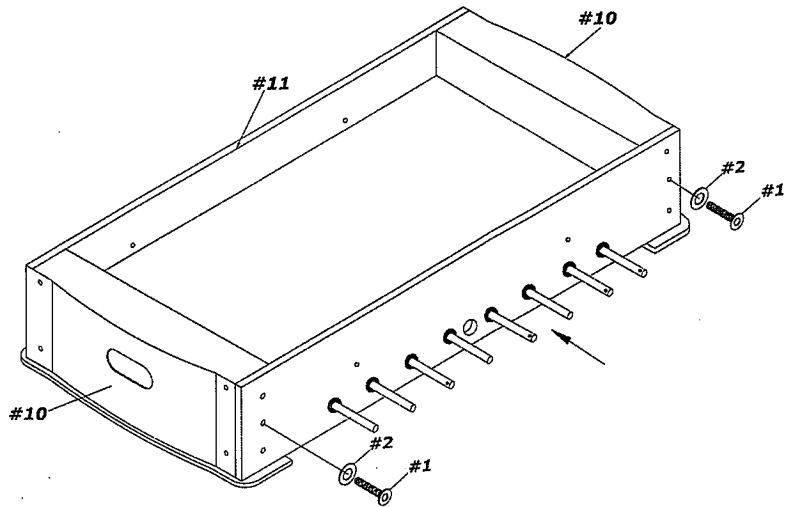
Step 1- Insert Player Rods #16 through #23 (follow order shown) into side panel #11. (Place side Panel upside down so the holes for the men are closest to the floor before inserting the men . Make sure to pay close attention to the direction that the players are facing. Placing the player rods incorrectly will impact later steps.)



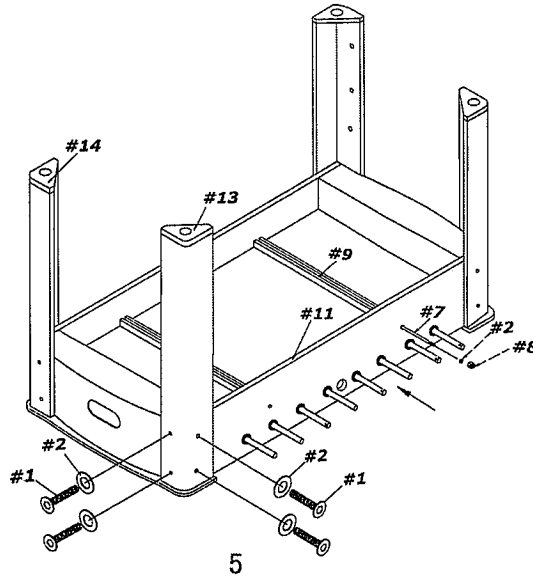
Step 2- Place other side panel #11 over other end of rods. Insert the Playing field #12(upside down) into side panels.



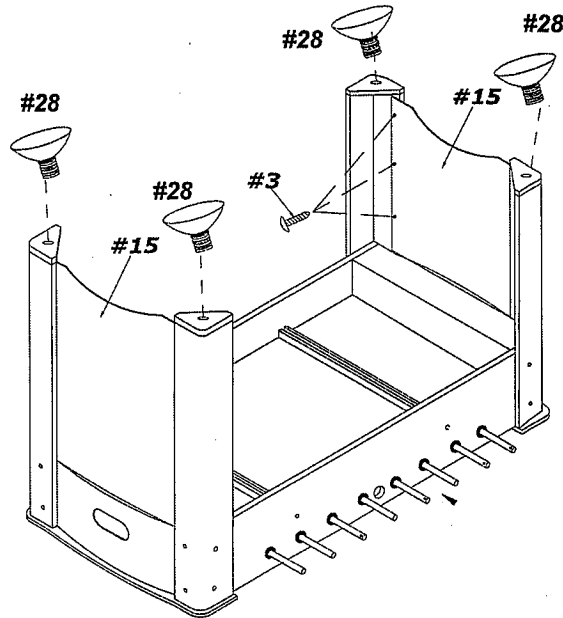
Step 3- Attach End Panels # 10 to each end of the table using Bolts #1 and Washers #2.



Step 4- Place the playfield Support Brace #9 on the playing field so the groove is facing up. Slide the support rods #7 through the appropriate holes in the side panel and through the grooves in the playfield Support Brace. Tighten these rods using washer #2 and nut #8. Next attach left leg # 13 and right #14 to each end of the table using Bolts #1 and Washers #2. If they mount right and left legs to the improper corner then the pre-drilled holes for the 'leg end panels' will not be in the proper locations.

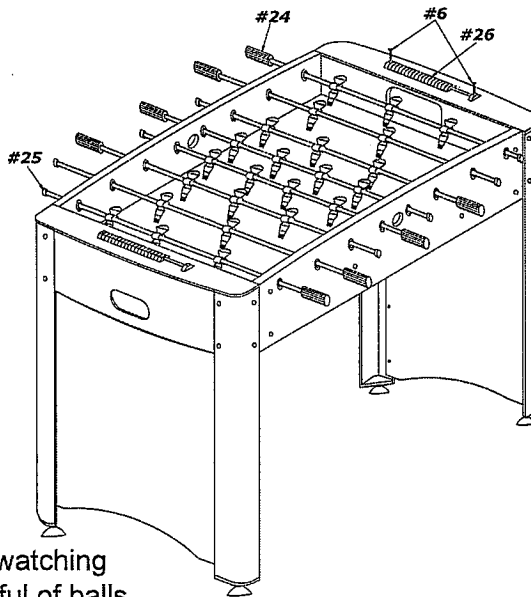


Step 5- Next attach the leg end panels #15 to the legs using 1/2" screws #3 as shown. Next Screw Leg leveler #28 into each leg.



Step 6 - Carefully flip the table over. Next attach the slide scorer #26 using screws #6. Next attach handles #24 and rod end caps #25 to each of the Rods.

(Use caution while inserting caps onto the end of the rods.)



Caution: While playing or watching the game, please be careful of balls that might be ejected.

## Foosball Table Game Rules

### To Start a Match:

- A coin flip shall precede the start of the match. The team that wins the flip has the choice of table side or first serve.

### The Serve:

- A serve through the serving hole is used to put the ball into play at the start of the match, after a point is scored, or after a ball leaves the table.

### Subsequent Serves:

- Following the first serve of the match, subsequent serves shall be made by the team last scored upon.

### Ball in Play:

- Once a ball is put in play by the server, it shall remain in play until the ball is hit off the table, a dead ball is declared, time out is called, or a point is scored.

### Ball Off the Table:

- The ball should be put back into play with a serve by the team which originally served that ball.

### Dead Ball:

- A ball shall be declared dead when it has completely stopped its motion and is not within reach of any player figure.
- If the ball is declared dead between the goalie and the 2-man rods, it shall be put back into play by placing the ball in the corner nearest the spot of the dead ball.
- If the ball is declared dead anywhere else on the table, it shall be put back into play with a serve by the team that originally served that ball.

### Point Scored:

- A ball entering the goal shall count as a point, as long as it was legally scored. A ball which enters the goal but returns to the playing surface and/or leaves the table still counts as a goal.

### Change of Positions:

- In any doubles event, each player may play only the two rods normally designated for his position. Once the ball is put into play, the players must play the same position until a point is scored.

### Spinning the Rods:

- Spinning the rods is illegal. Spinning is defined as the rotation of any soccer figure more than 360 degrees before or after striking the ball.
- If the ball goes in the goal, then it will not be counted as a point and will be put back into play by the goalie as if the ball had been declared a dead ball between the goal and the nearest two-man rod.

### Jarring:

- Any jarring, sliding, or lifting of the table shall be illegal.

### Reaching Into The Playing Area:

- It is illegal for a player to reach into the playing area while the ball is in play.

## PARTS ORDER FORM

If for some reason you are missing any assembly parts for your Halex game table, please call the Regent Sports Customer Service line at (1-877) 516-9707 (toll free) between the hours of 10:00am and 5:00 pm EST or go online at [www.regent-halex.com](http://www.regent-halex.com) for parts ordering. Please refer to the REGENT SPORTS LIMITED WARRANTY concerning missing and defective parts.

Parts also may be ordered by filling out the form below. Please fill in all the information and return to:

REGENT SPORTS CORP.  
45 RANICK ROAD  
HAUPPAUGE, NEW YORK, 11788  
ATTN: CUSTOMER SERVICE

REGENT SPORTS CORP. requires that all orders for replacement parts must be paid by check, money order, VISA, or MC. Cash is not accepted. Please make all checks or money orders payable to REGENT SPORTS CORP. *Please note all prices include shipping and handling.*

Name of Purchaser: \_\_\_\_\_  
Address: \_\_\_\_\_  
City: \_\_\_\_\_  
State: \_\_\_\_\_ Zip Code: \_\_\_\_\_  
Phone: \_\_\_\_\_

Part #	Description	Quantity	Price	Total Cost
197-50102-01	1/4"(0.635cm)Bolt	20	\$1.00	
197-50102-02	1/4"(0.635cm)Washer	24	\$1.00	
197-50102-03	1/2"(1.27cm) Round head screw	12	\$1.00	
197-50102-04	Tool	2	\$1.00	
197-50102-05	Tool	1	\$1.00	
197-50102-06	1"(2.54cm)flat head screw	4	\$1.00	
197-50102-07	1/4"(0.635cm)Support Rod	2	\$1.00	
197-50102-08	1/4"(0.635cm)Nut	4	\$1.00	
197-50102-09	Playfield Support Brace	2	\$5.00	
197-50102-10	End Panel	2	\$10.00	
197-50102-11	Side Panel	2	\$10.00	
197-50102-12	Playing Field	1	\$5.00	
197-50102-13	Left Leg	2	\$12.50	
197-50102-14	Right Leg	2	\$12.50	
197-50102-15	Leg End Panel	2	\$10.00	
197-50102-16	2 Away Players Rod	1	\$10.00	
197-50102-17	3 Away Goal Players Rod	1	\$10.00	
197-50102-18	4 Away Players Rod	1	\$10.00	
197-50102-19	3 Away Players Rod	1	\$10.00	
197-50102-20	2 Home Players Rod	1	\$10.00	
197-50102-21	3 Home Goal Players Rod	1	\$10.00	
197-50102-22	4 Home Players Rod	1	\$10.00	
197-50102-23	3 Home players Rod	1	\$10.00	
197-50102-24	Rod Handle	8	\$3.00	
197-50102-25	Rod End Cap	8	\$1.00	
197-50102-26	Slide Scorer	2	\$5.00	
197-50102-27	Soccer Ball	2	\$2.00	
197-50102-28	Leg leveler	4	\$2.00	

**Also be sure to check out our web site at:**

**[www.regent-halex.com](http://www.regent-halex.com)**

• Parts Ordering • Owners Manual • Product Information

© 2007  
Regent Sports Corporation  
Hauppauge, New York