

Halex

Halex

Halex

Halex

Halex

Halex

Halex

TABLE

Games

Assembly instructions

Halex

Halex

Halex

Halex

Halex

Halex

Halex

Halex

Halex

Halex

Halex

Halex

Halex

Halex

Halex

Halex

Halex

Halex

Halex

Halex

Halex

Halex

Halex

Halex

Halex

Halex

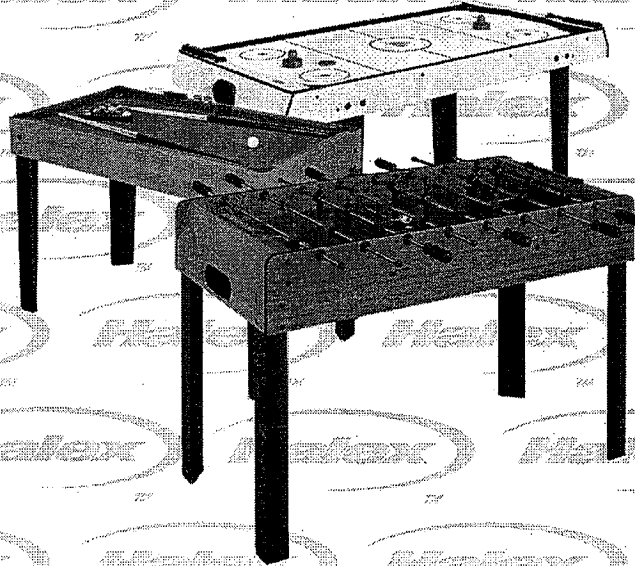
Halex

Halex

Halex

Halex

Halex



50049



TM

LIMITED 90 DAY WARRANTY

This Halex product is warranted to be free from defects in workmanship or materials at the time of purchase for a period of 90 (ninety) days. Certain restrictions apply (see below).

Should any evidence of defects appear within the limited warranty period after the date of purchase, Regent Sports will either send replacement parts or advise of another course of action. A list of replaceable parts can be found on the parts order form page of this manual. Parts not listed on this order form are not replaceable. **Table tops, playing surfaces, and main frames are not replaceable.** This warranty covers normal consumer use and does not cover failures, which result from alterations, accidents, misuse, abuse, or neglect.

For prompt warranty service and special offers, please register your Halex product at our customer service center by visiting our website at: www.regent-halex.com. Enter the following unique registration number followed by the item number of your table found on the cover of this manual: 1ZAK7 _____. You can also register your product on our automated voice recognition system at the toll free number below. You must register your product within 30 days of purchase to be eligible for warranty service. Please make sure to visit our website to order additional parts not covered under the warranty, as well as on-line instruction manuals and new product information. You may also order parts by calling our automated voice recognition system.

A purchase receipt or other proof of date of purchase will be required before warranty service is performed. Requests for warranty service can be provided by e-mailing the customer service department at cstables@regent-halex.com or by calling customer service at:

877-516-9707 (Toll Free)

10:00 AM to 6:00 PM, EST. (Dec. through Jan.)


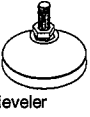
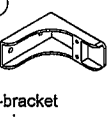
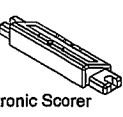
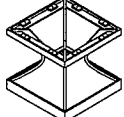
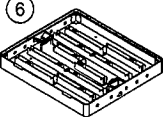
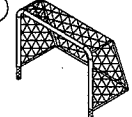



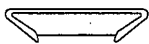

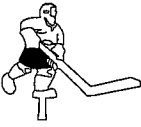

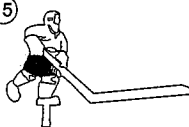

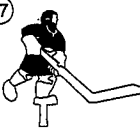

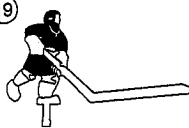

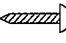


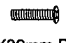

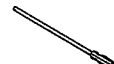
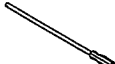
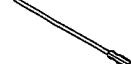
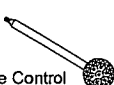


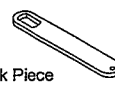


10:00 AM to 5:00 PM, EST. (Feb. through Nov.)

Or send request in writing to:

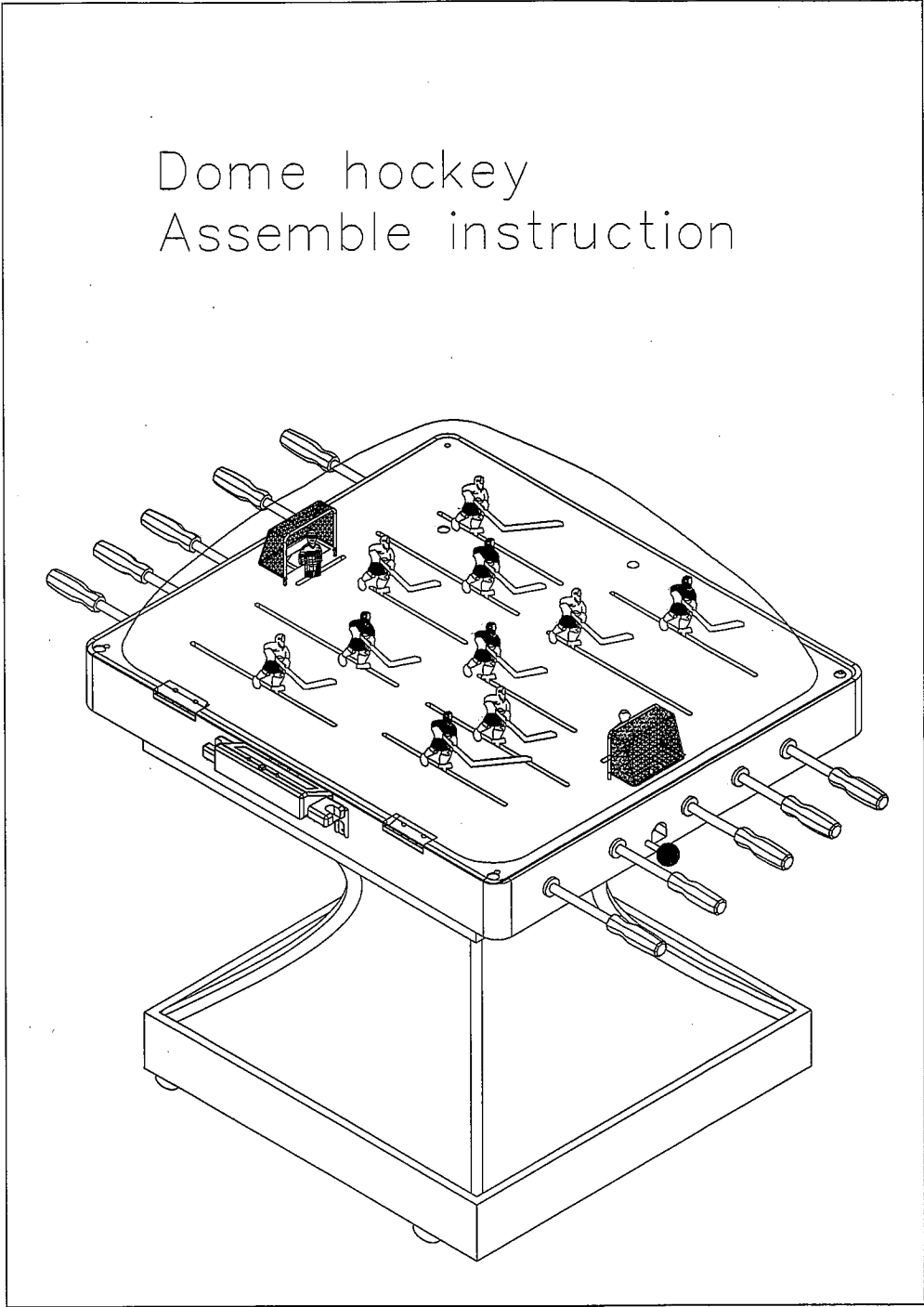
Regent Sports Corporation
45 Ranick Road
Hauppauge, NY 11788
Attn: Halex Customer Service

This warranty gives you specific legal rights and you may have other rights that vary from state to state.

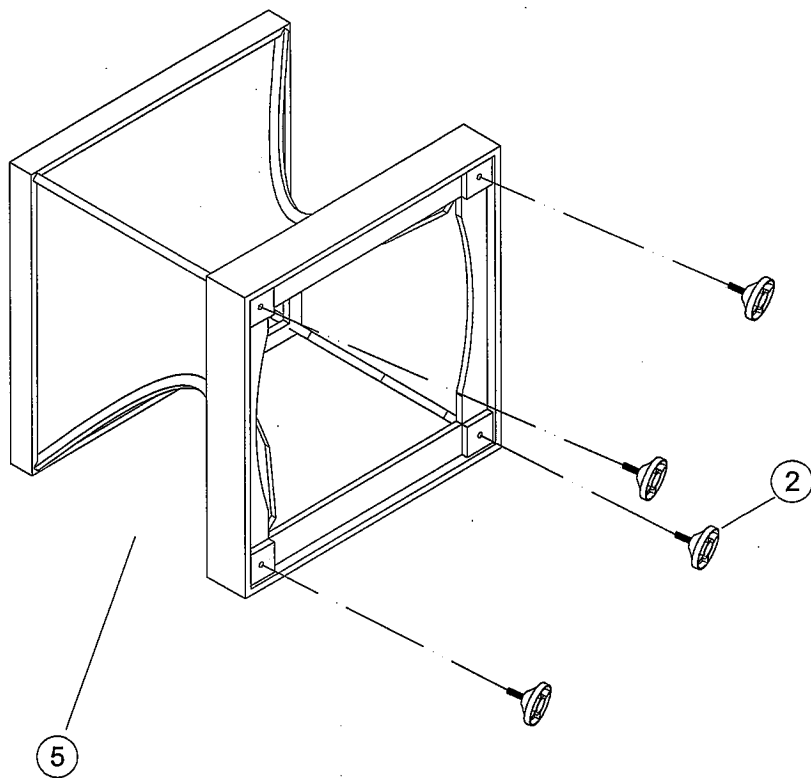
Dome Hockey parts List

<p>①</p>  <p>Dome 1 piece</p>	<p>②</p>  <p>Leg level 4 pieces</p>	<p>③</p>  <p>L-bracket 2 pieces</p>	<p>④</p>  <p>Electronic Scorer 1 piece</p>
<p>⑤</p>  <p>Pedestal main 1 piece</p>	<p>⑥</p>  <p>Upper part 1 piece</p>	<p>⑦</p>  <p>Goal 2 pieces</p>	<p>⑧</p>  <p>Playfield 1 piece</p>
<p>⑨</p>  <p>13mm Washer 4 pieces</p>	<p>⑩</p>  <p>20X10mm Washer 12 pieces</p>	<p>⑪</p>  <p>playfield Block 2 pieces</p>	<p>⑫</p>  <p>playfield End 2 pieces</p>
<p>⑬</p>  <p>White short stick player 4 pieces</p>	<p>⑭</p>  <p>White goalie 1 piece</p>	<p>⑮</p>  <p>White long stick player 1 piece</p>	<p>⑯</p>  <p>M4 mm Nut 6 pieces</p>
<p>⑰</p>  <p>Green short stick player 4 pieces</p>	<p>⑱</p>  <p>Green goalie 1 piece</p>	<p>⑲</p>  <p>Green long stick player 1 piece</p>	<p>⑳</p>  <p>M3X12mm Screw 8 pieces</p>
<p>㉑</p>  <p>M4X12mm Screw 6 pieces</p>	<p>㉒</p>  <p>M6X15mm Bolt 4 pieces</p>	<p>㉓</p>  <p>M8X55mm Bolt 8 pieces</p>	<p>㉔</p>  <p>M8X30mm Bolt 4 pieces</p>
<p>㉕</p>  <p>Short Rod 4 pieces</p>	<p>㉖</p>  <p>Medium Rod A 2 pieces</p>	<p>㉗</p>  <p>Medium Rod B 2 pieces</p>	<p>㉘</p>  <p>Long Rod 2 pieces</p>
<p>㉙</p>  <p>Goalie Control 2 pieces</p>	<p>㉚</p>  <p>M4X20mm Bolt 10 pieces</p>	<p>㉛</p>  <p>Spring coil 10 pieces</p>	<p>㉜</p>  <p>Link Piece 2 pieces</p>
<p>㉝</p>  <p>M6mm Nut 4 pieces</p>	<p>㉞</p>  <p>Adapter 1 piece</p>		

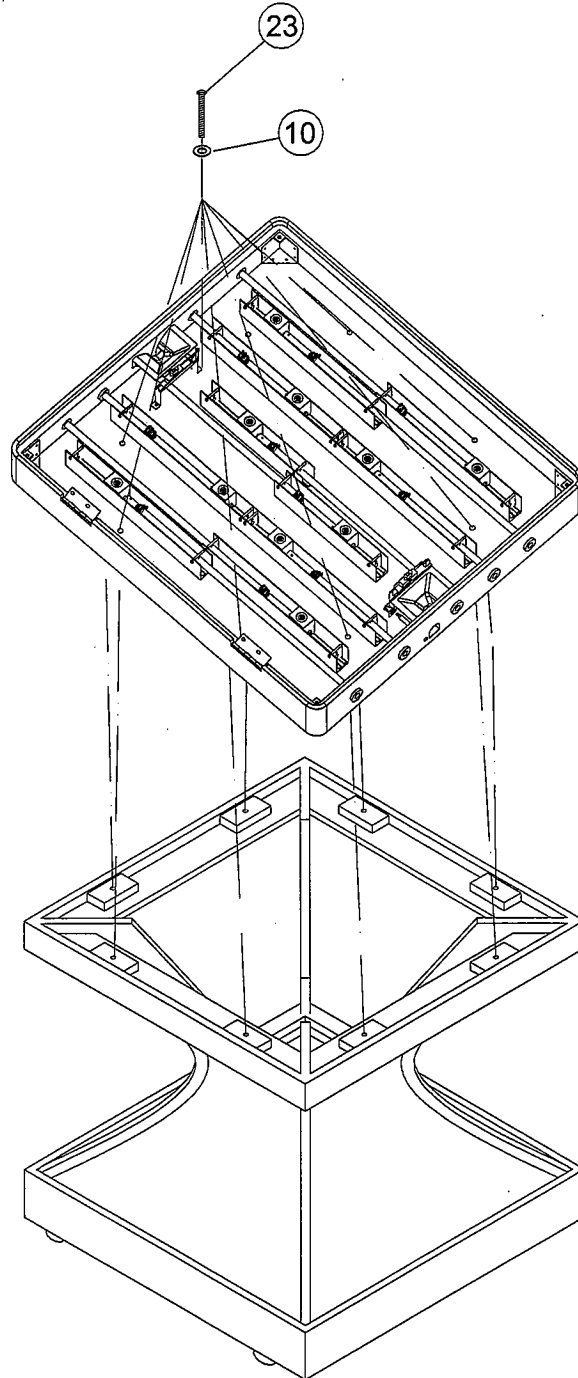
Dome hockey Assemble instruction



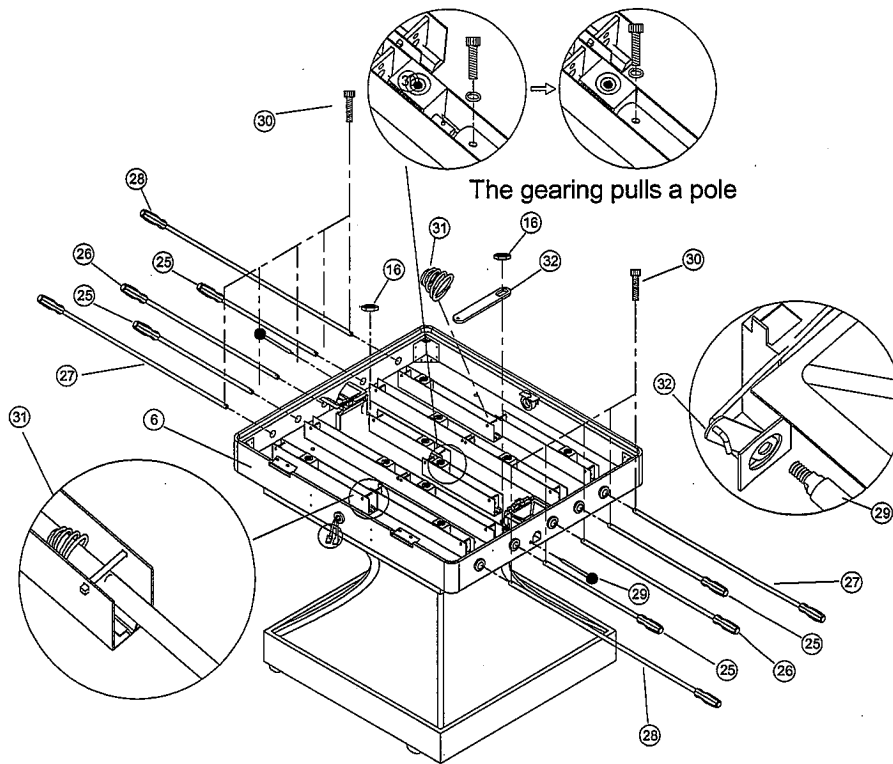
Step 1 Assemble Leg leveler #2 to the Main Pedestal main #5.



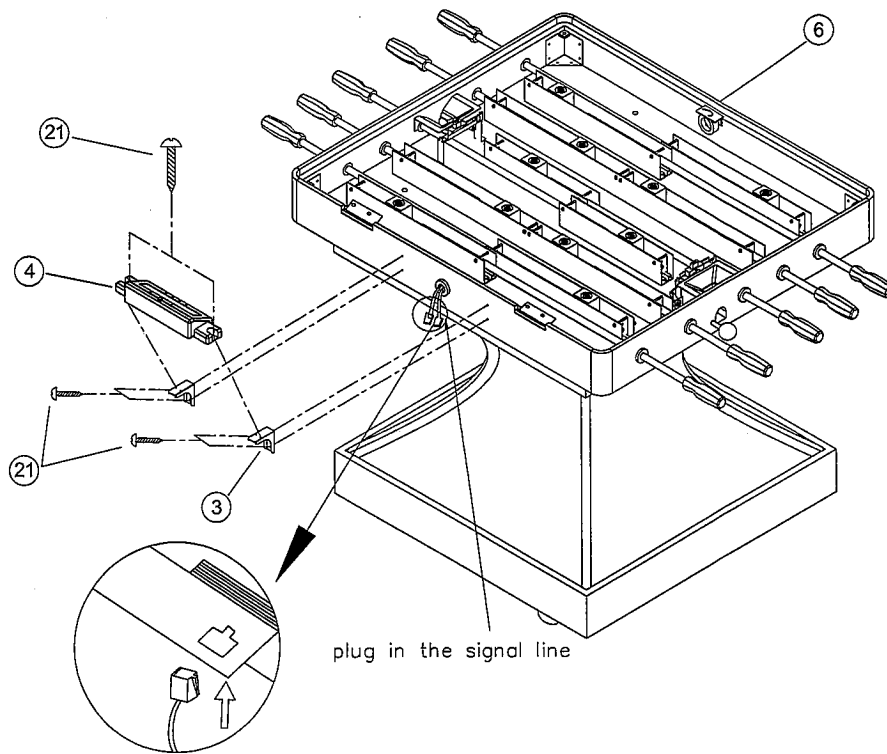
Step 2 - Attach the Upper Part #6 to the Main Pedestal #5 using 55mm Bolt #23 and 10mm Washer #10.



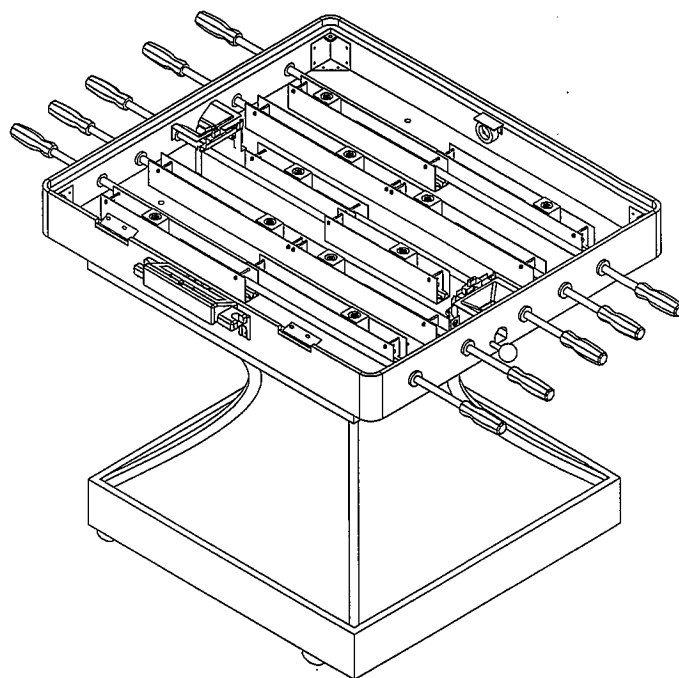
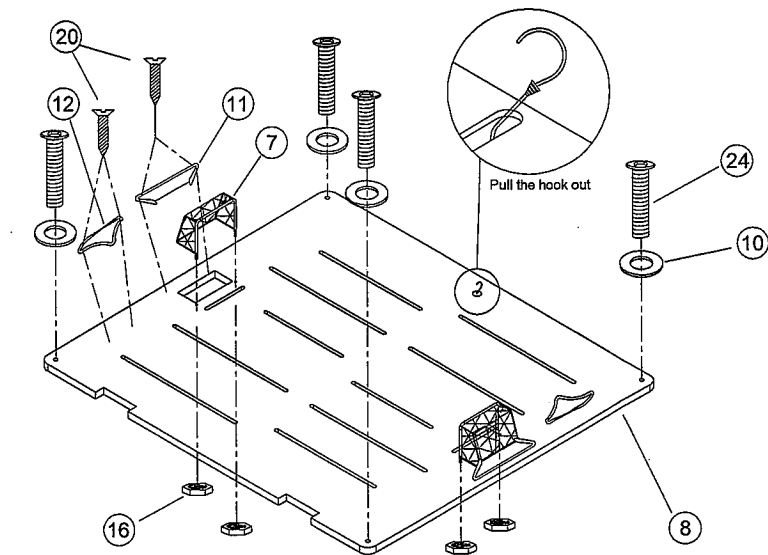
Step 3 - Insert the Handles #25, #26, #27, #28, into the upper part using the 20mm Bolt #30 and 4mm Nut #16 while closely following the order of handles. Next Attach the Spring Coil #31 to each pole. Use the Link Piece #32 to attach the Handle Knob #29 to the board.



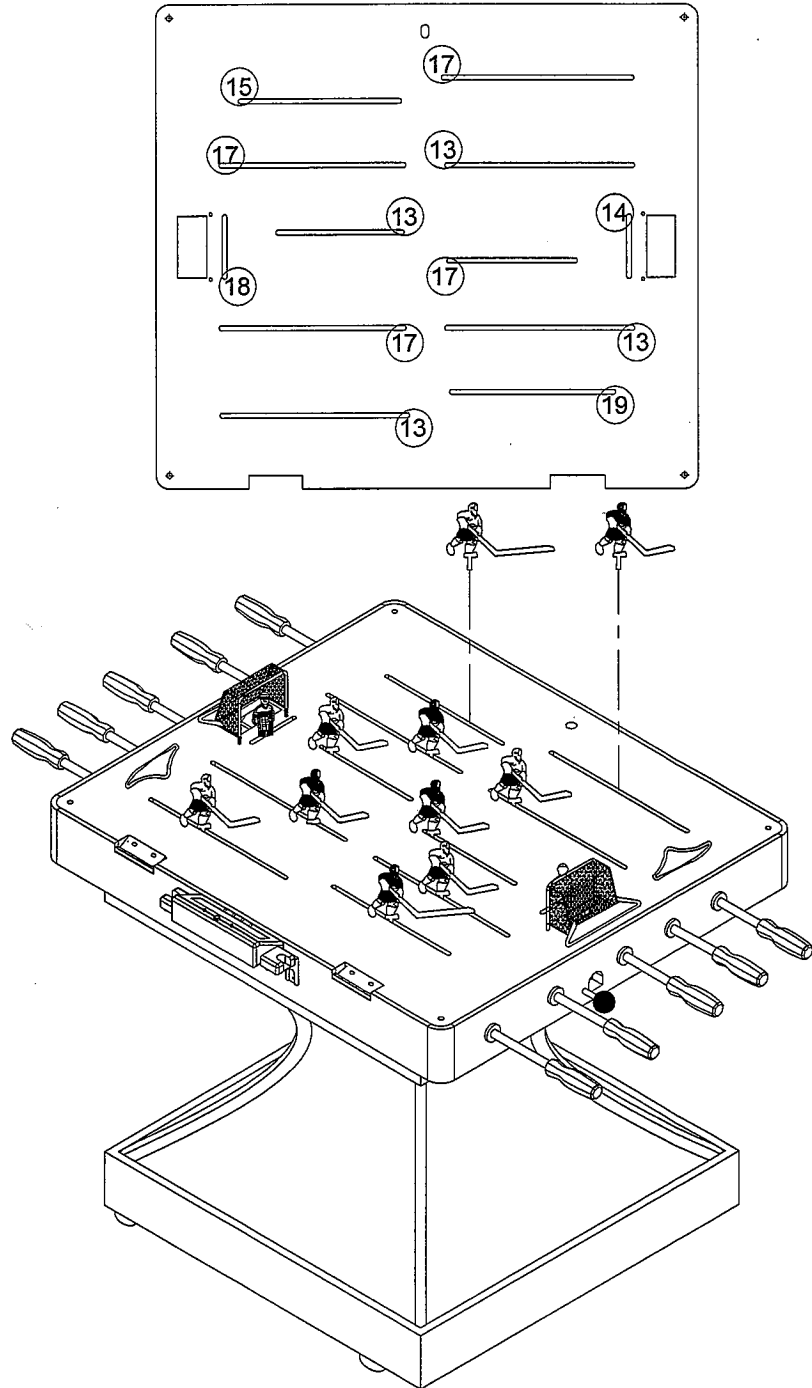
Step 4 - Attach the Electronic Scorer #4 to the unit using 12mm Screw #21 and L-bracket #3. Be sure to plug in the signal line to the Electronic Scorer.



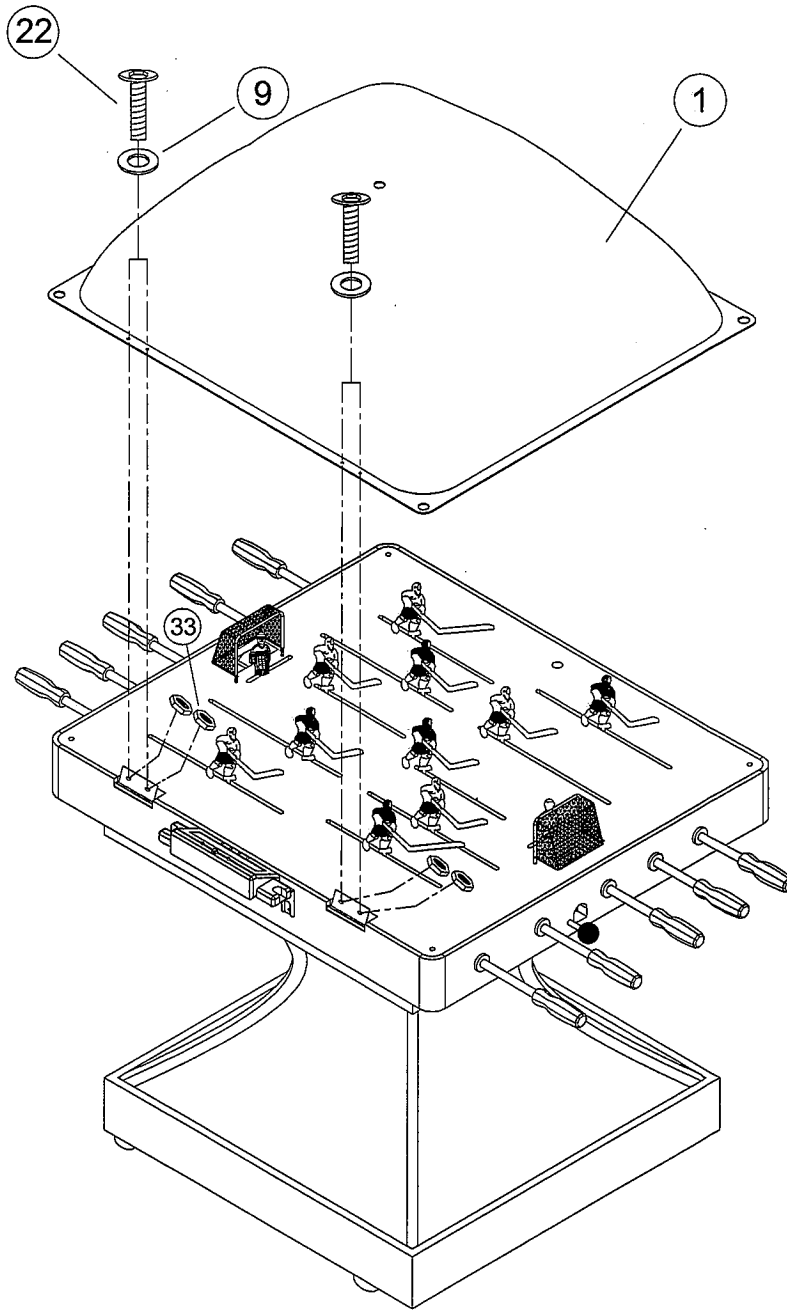
Step 5 - First pull the hook out of the Playfield #8. Next attach the playfield to the upper part using 30mm Bolt #24 and 10mm Washer #10. Next attach the Playfield End #12 to the Playfield #8 using 12mm Screw #20. Next Attach the Goal #7 and Playfield Block #11 to the Playfield #8 using 12 mm Screw #20 and Nut #16.



Step 6 - Assemble players #13, #14, #15, #16, #17, #18, #19 to the Playfield. Follow the diagram to place players in the right order.



Step 7 - Attach the Dome #1 to the Playfield using 15mm Bolt #22, Washer #9, and Nut #33.



PARTS ORDER FORM

If for some reason you are missing any assembly parts for your Halex game table, please call the Regent Sports Customer Service line at (877) 516-9707 (toll free) between the hours of 10:00am and 5:00pm EST or go online at www.regent-halex.com for parts ordering. Please refer to the REGENT SPORTS LIMITED WARRANTY concerning missing and defective parts.

Parts also may be ordered by filling out the form below. Please fill in all the information and return to:

REGENT SPORTS CORP.
45 RANICK ROAD
HAUPPAUGE, NEW YORK, 11788
ATTN: CUSTOMER SERVICE

REGENT SPORTS CORP. requires that all orders for replacement parts must be paid by check, money order, VISA, or MC. Cash is not accepted. Please make all checks or money orders payable to REGENT SPORTS CORP. *Please note all prices include shipping and handling .*

Name of Purchaser: _____
Address: _____
City: _____
State: _____ Zip Code: _____
Phone: _____

PART #	DESCRIPTION	QUANTITY	PRICE	TOTAL COST
197-50049-2	Leg leveler	4	\$5.00 ea.	
197-50049-3	L-bracket	2	\$5.00 ea.	
197-50049-4	Electronic Scorer	1	\$15.00 ea.	
197-50049-7	Goal	2	\$5.00 ea.	
197-50049-8	Playfield	1	\$30.00 ea.	
197-50049-9	13mm Washer	4	\$1.25 ea.	
197-50049-10	20 x 10mm Washer	12	\$1.25 ea.	
197-50049-11	Playfield Block	2	\$5.00 ea.	
197-50049-12	Playfield End	2	\$4.00 ea.	
197-50049-13	White short stick player	4	\$5.00 ea.	
197-50049-14	White goalie	1	\$5.00 ea.	
197-50049-15	White long stick player	1	\$5.00 ea.	
197-50049-16	M4 mm Nut	6	\$1.25 ea.	
197-50049-17	Green short stick player	4	\$5.00 ea.	
197-50049-18	Green goalie	1	\$5.00 ea.	
197-50049-19	Green long stick player	1	\$5.00 ea.	
197-50049-20	M3X12mm Screw	8	\$1.25 ea.	
197-50049-21	M4X12mm Screw	6	\$1.25 ea.	
197-50049-22	M6X15mm Bolt	4	\$1.25 ea.	
197-50049-23	M8X55mm Bolt	8	\$1.25 ea.	
197-50049-24	M8X30mm Bolt	4	\$1.25 ea.	
197-50049-25	Short Rod	4	\$5.00 ea.	
197-50049-26	Medium Rod A	2	\$6.00 ea.	

197-50049-27	Medium Rod B	2	\$6.00 ea.	
197-50049-28	Long Rod	2	\$7.00 ea.	
197-50049-29	Goalie Control	2	\$5.00 ea.	
197-50049-30	M4X20mm Bolt	10	\$1.25 ea.	
197-50049-31	Spring coil	10	\$1.25 ea.	
197-50049-32	Link Piece	2	\$3.00 ea.	
197-50049-33	M6mm Nut	4	\$1.25 ea.	
197-50049-35	Puck	2	\$2.00 ea.	
197-50049-36	NHL Sticker	1	\$5.00 ea.	

Rod Hockey

Rules of Play

The Object of the Game

The object of Rod Hockey is to be the first player to score 10 goals against the opposing player.

Beginning the Game

Matches begin with the puck placed in the center of the rink, the 2 center-forwards being on their own side. Face off is made by releasing the puck in the center of the middle circle, the 2 center-forwards being in the position above mentioned. Before releasing the puck, be sure opponent is ready.

During Play

Players attempt to pass the puck to their own players, and utilizing the rods, try to score a goal. If the puck becomes stuck on a part of the table that cannot be reached by a hockey player, the puck needs to be picked up and placed in the center for a new face-off. Each player controls his/her own offense and defense during play. The goalie can be controlled for lateral movement to block shots on goal.

Scoring

A goal is scored when the puck enters and drops inside the opponent's goal.

A face-off is required to after each goal is scored.

Winning

The first player to score 10 points is declared the winner.



Also be sure to check out our web site at:

www.regent-halex.com

• Parts Ordering • Owners Manual • Product Information



© 2007
Regent Sports Corporation
Hauppauge, New York