



TABLE

Games

Assembly instructions



50045

LIMITED 90 DAY WARRANTY

This Halex product is warranted to be free from defects in workmanship or materials at the time of purchase for a period of 90 (ninety) days. Certain restrictions apply (see below).

Should any evidence of defects appear within the limited warranty period after the date of purchase, Regent Sports will either send replacement parts or advise of another course of action. A list of replaceable parts can be found on the parts order form page of this manual. Parts not listed on this order form are not replaceable. **Table tops, playing surfaces, and main frames are not replaceable.** This warranty covers normal consumer use and does not cover failures, which result from alterations, accidents, misuse, abuse, or neglect.

For prompt warranty service and special offers, please register your Halex product at our customer service center by visiting our website at: www.regent-halex.com. Enter the following unique registration number followed by the item number of your table found on the cover of this manual: 1ZAK7 _____. You must register your product within 30 days of purchase to be eligible for warranty service. Please make sure to visit our website to order additional parts not covered under the warranty, as well as on-line instruction manuals and new product information. You may also order parts by calling our automated voice recognition system at: 877-516-9707 (Toll Free).

A purchase receipt or other proof of date of purchase will be required before warranty service is performed. Requests for warranty service can be provided by e-mailing the customer service department at cstables@regent-halex.com or by calling customer service at:

877-516-9707 (Toll Free)

10:00 AM to 6:00 PM, EST. (Dec. through Jan.)

10:00 AM to 5:00 PM, EST. (Feb. through Nov.)

Or send request in writing to:

Regent Sports Corporation



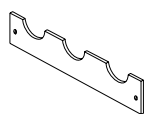
45 Ranick Road

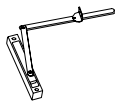
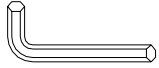
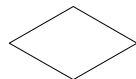
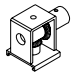
Hauppauge, NY 11788

Attn: Halex Customer Service

This warranty gives you specific legal rights and you may have other rights that vary from state to state.

Parts List

#1  Rod Handle 10 Pieces	#2  Hockey Goal 2 Pieces	#3  Short Stick Player (Red) 1 Piece	#4  Long Stick Player (Red) 4 Pieces	#5  Goalie (Red) 1 Piece	#6  Short Stick Player (Blue) 1 Piece
#7  Long Stick Player (Blue) 4 Pieces	#8  Goalie (Blue) 1 Piece	#9  Hockey Puck (Black) 4 Pieces	#10  Rod Bushing (Black) 10 Pieces	#11  Puck Return 2 Pieces	#12  Hockey Cabinet 1 Piece
#13  Goalie Handle 2 Pieces	#14  3/8" Allen Key Bolt 8 Pieces	#15  3/4" Round Head Screw 2 Pieces	#16  Adapter 1 Piece	#17  Long Rod With Gear Mechanism 4 Pieces	#18  Medium Rod With Gear Mechanism 2 Pieces
#19  Short Rod With Gear Mechanism 4 Pieces	#20  Control Box 1 Piece	#21  Wiring Harness (long) 1 Piece	#22  Wiring Harness (short) 1 Piece	#23  Rod Hockey Corner 4 Pieces	#24  6" Leg Leveler 4 Pieces
#25  Playfield End 2 Pieces	#26  End Apron 2 Pieces	#27  Center Support 1 Piece	#28  Side Apron with Opening 1 Piece	#29  Long Acrylic Insert 2 Pieces	#30  Short Acrylic Insert 2 Pieces
#31  Side Apron 1 Piece	#32  Corner Scoreboard (Counter) 2 Pieces	#33  Corner Scoreboard (Timer) 2 Pieces	#34  End Leg Panel 2 Pieces	#35  Side Leg Panel 2 Pieces	#36  Table Leg 4 Pieces
#37  5/8" Flat Head Screw 4 Pieces	#38  7/8" Bolt 6 Pieces	#39  1/4" Nut 16 Pieces	#40  1/2" Silver Round Head Screw 8 Pieces	#41  5/16"x1-1/4" Allen Key Bolt 8 Pieces	#42  5/16" Washer 16 Pieces
#43  3/4" Flat Head Screw 8 Pieces	#44  5/16"x1" Allen Key Bolt 8 Pieces	#45  1/2" Round Head Screw 54 Pieces	#46  1-1/8" Bolt 10 Pieces	#47  1/2" Flat Head Screw 8 Pieces	#48  3/8" Flat Head Screw 4 Pieces

<p>#49</p>  <p>Goalie Control 2 Piece</p>	<p>#50</p>  <p>Allen Key 1 Piece</p>	<p>#51</p>  <p>Sticker Sheet 1 Piece</p>	<p>#52 (PRE-INSTALLED)</p>  <p>Gear Mechanism 10 Pieces</p>
--	---	---	--

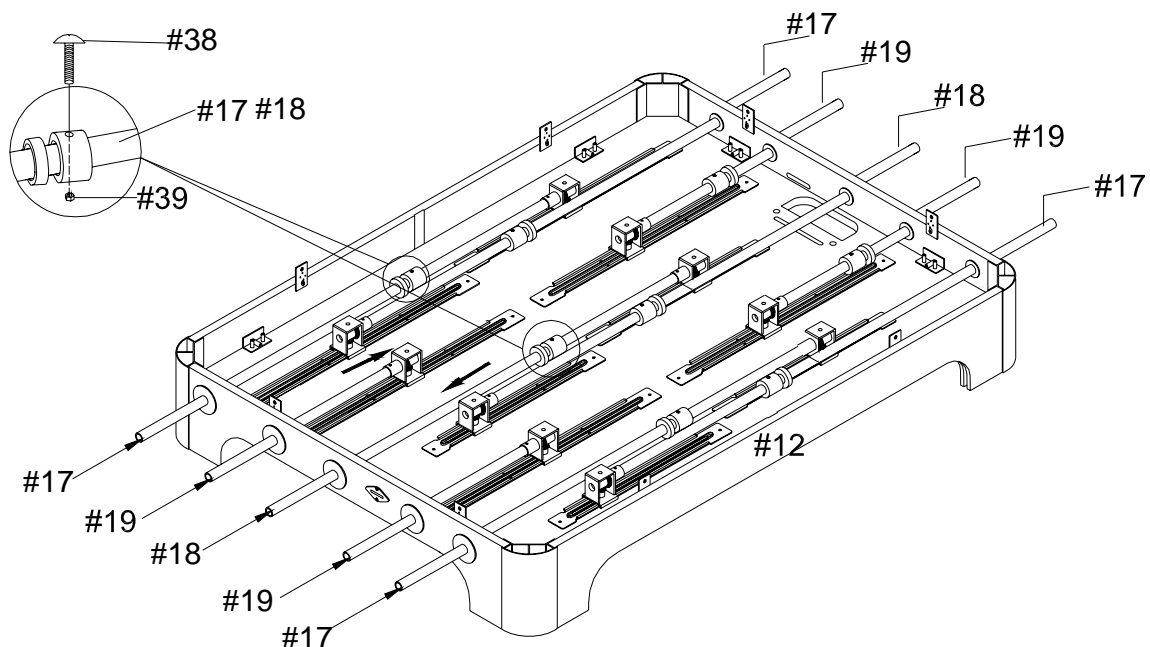
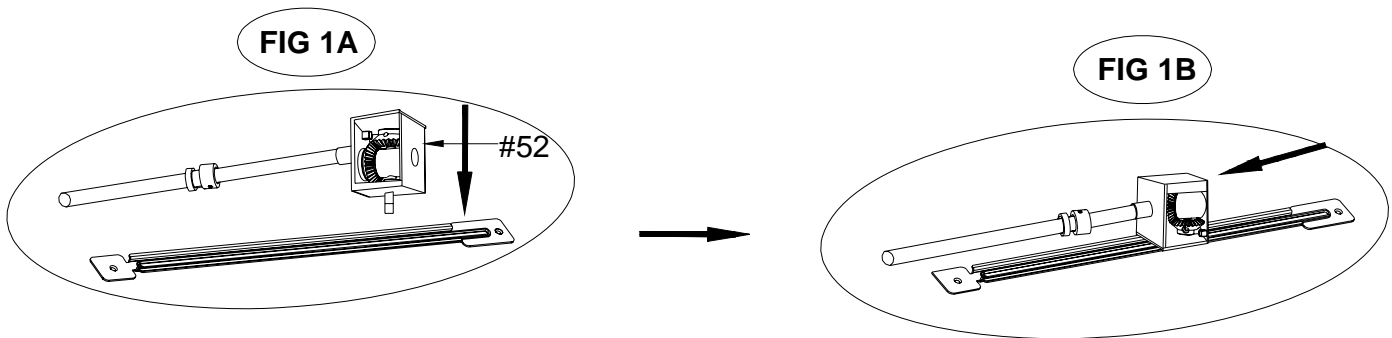
50045 Assembly Instructions

We recommend that two adults work together to assemble this game.

Step 1

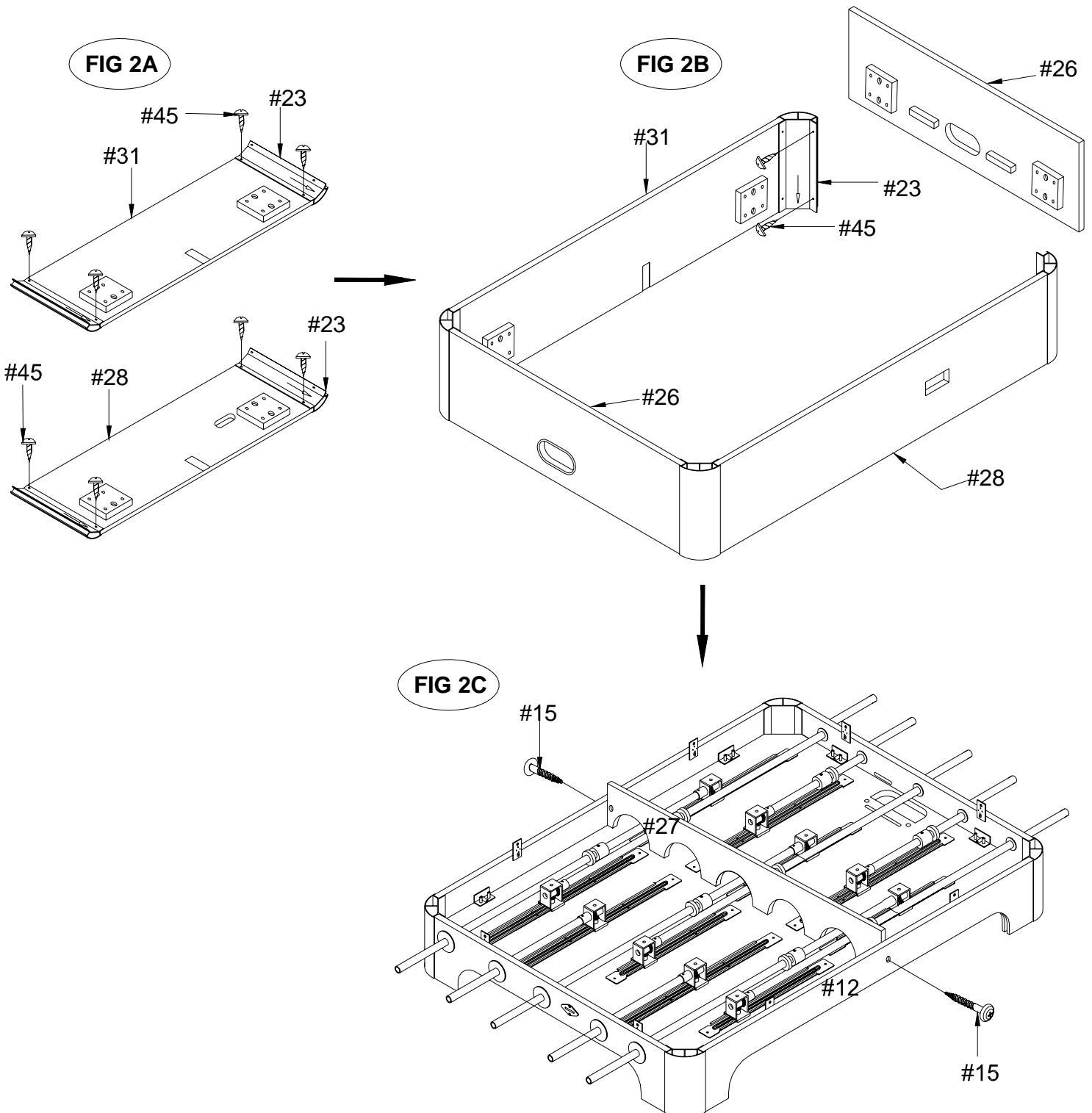
- 1) Open the carton of your new Rod Hockey game near where you will play. Select a clear level floor. This game requires at least two adults to assemble the table.
- 2) Remove all the contents from inside the carton and verify that you have all listed parts as shown on the parts list. We suggest that you use the bottom carton as a clean flat working area to protect the game. Carefully cut or tear the four carton corners so that the bottom is now your work area.
- 3) Insert the Gear Mechanisms (# 17, #18 & #19) into each player track as shown in diagram.
NOTE: The Gear Mechanisms are numbered and need to be slid from the center end of the tracks towards the Cabinet.
- 4) Next, secure the Rod Stoppers that are pre-installed on the Rod Hockey - Long Rods (#17), Medium Rods (#18) and Long Rods (#19) to keep them from moving using one Bolt (#38) and One Hex Nut (#39) per rod.

NOTE: Make sure that the foam spacers are behind the Rod stoppers.



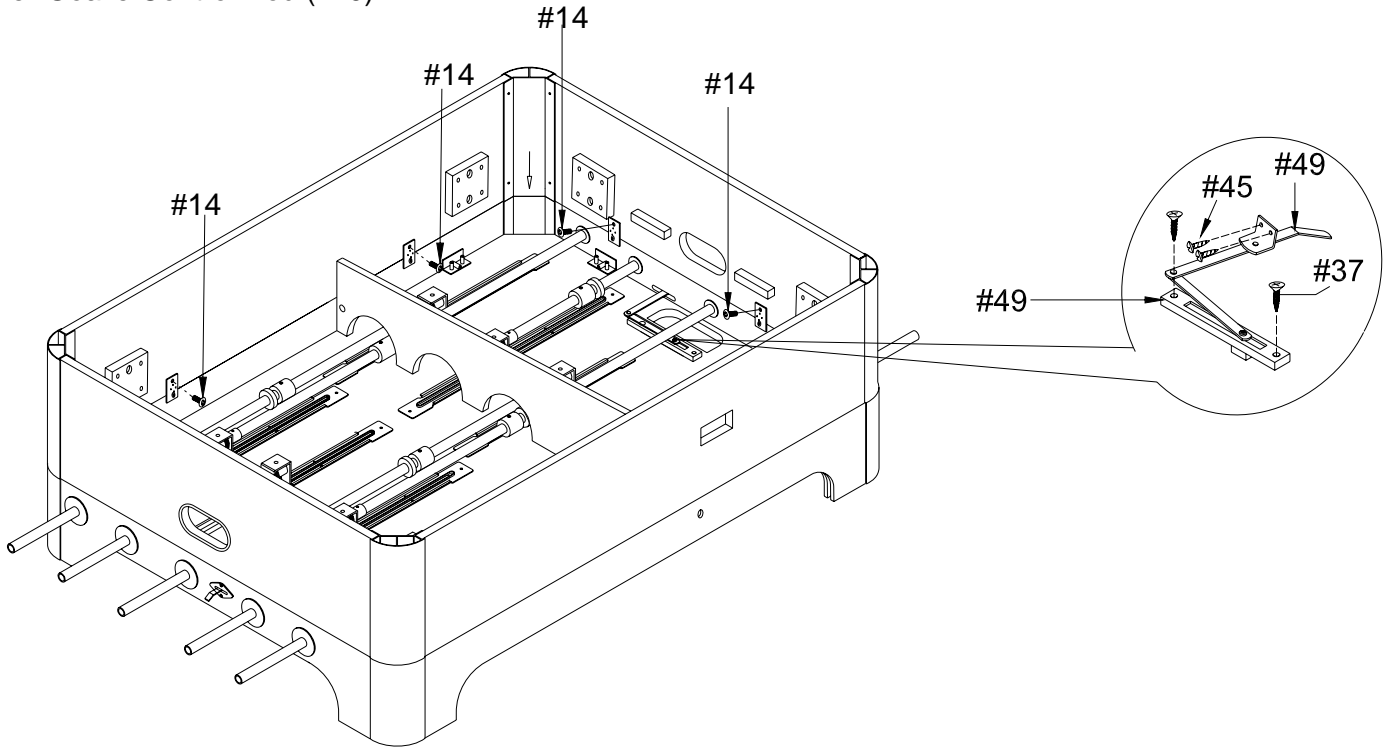
Step 2

- 5) Place the Center Support (#27) in the middle of the Hockey Cabinet (#12) as shown in FIG. 2C and attach with one Screw (#15) at each end.
- 6) Attach the Hockey Corners (#23) to the Side Aprons (#28 and #31) using two Screws (#45) per Corner. See FIG. 2A. **NOTE:** Make sure the edge of the Apron Corner (#23), which the side marked "arrowhead facing downward" is in the same direction as the edge of the Black T-strips found on the Side Aprons (#28 and #31). In addition, the other edge of the Apron Corner (#23) and the bottom of the apron not having the Black T-Strips must be aligned.
- 7) Next, attach the End Aprons (#26) to the Hockey Corners (#23) on the Side Aprons (#28 and #31) using two Screws (#45). See FIG. 2B. **NOTE:** Make sure the other edge of the Apron Corner (#23) and the bottom of the End Apron (#26) not having the Black T-Strips are aligned.



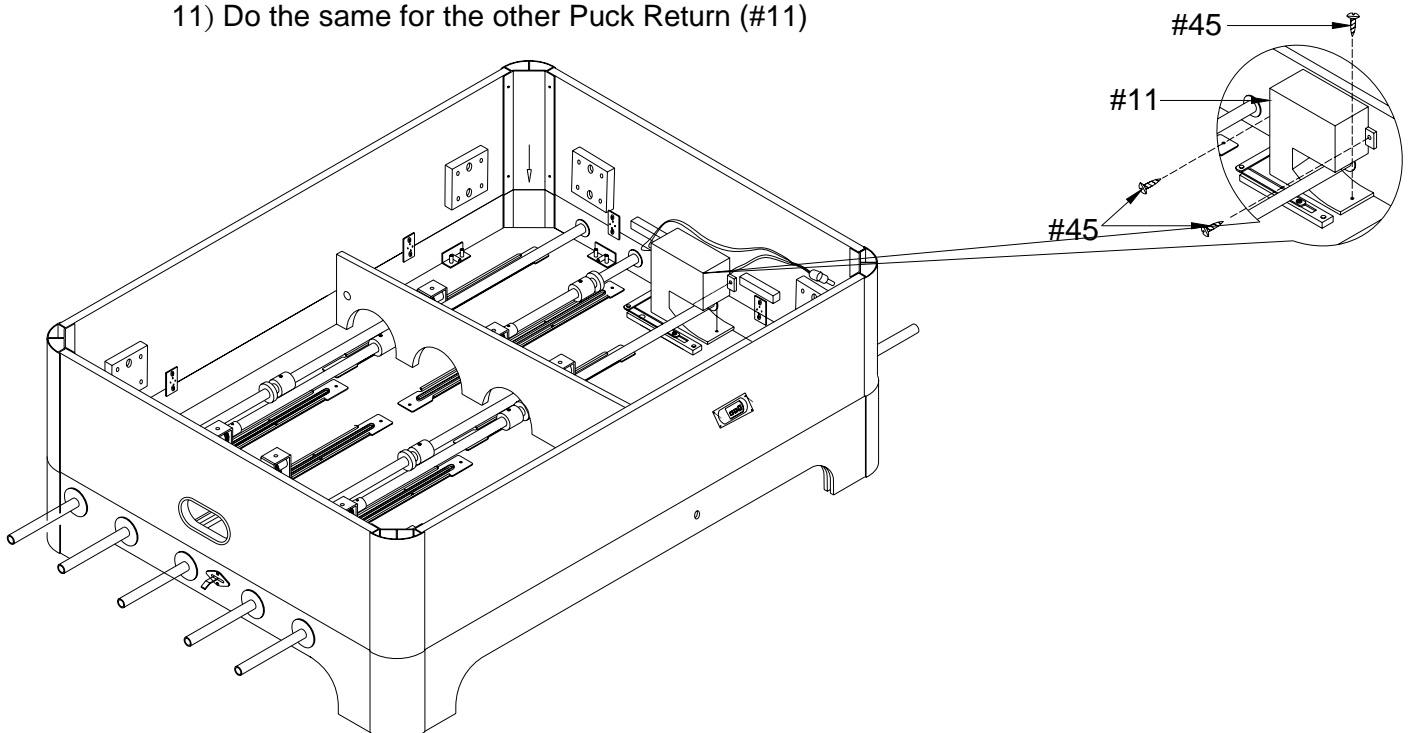
Step 3

- 8) Place the Side/End Apron assembly on the top of the Hockey Cabinet (#12) making sure the "arrowhead facing downward" on the Hockey Corner (#23) is facing downward. Attach the aprons to the pre-attached Metal Plates with eight Bolts (#14) using the Allen Key (#50) provided. **NOTE:** Make sure the Aprons are aligned with finished side outward and the pilot holes on the inner side are facing downward.
- 9) Slide the Goalie Control Rod (#49) through the goalie hole in the End Panel (#26), secure the Goalie Control Rod (#49) to the underside of the playfield using two Screws (#37) and secure the Goalie Control Rod (#49) to the End Panel (#26) using two Screws (#45) as shown in the diagram. Do the same for the other Goalie Control Rod (#49).



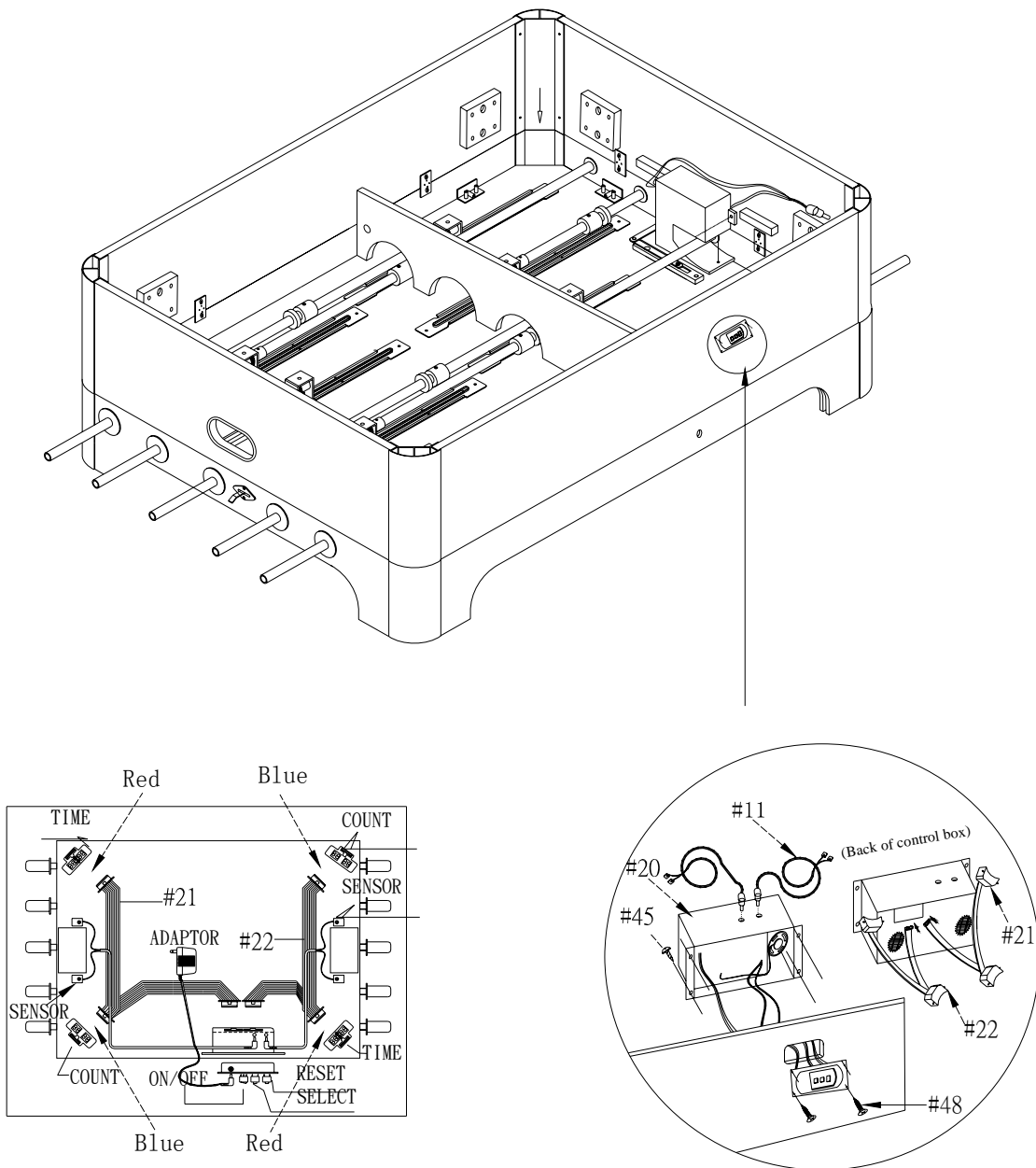
Step 4

- 10) Refer to the diagram for this step, attach the Puck Return (#11) to the playfield and the End Apron (#26) using three Screws (#45) as shown. Pilot holes show the proper screw placement. Make sure the flat end of the Puck Return (#11) is attached to the playfield.
- 11) Do the same for the other Puck Return (#11)



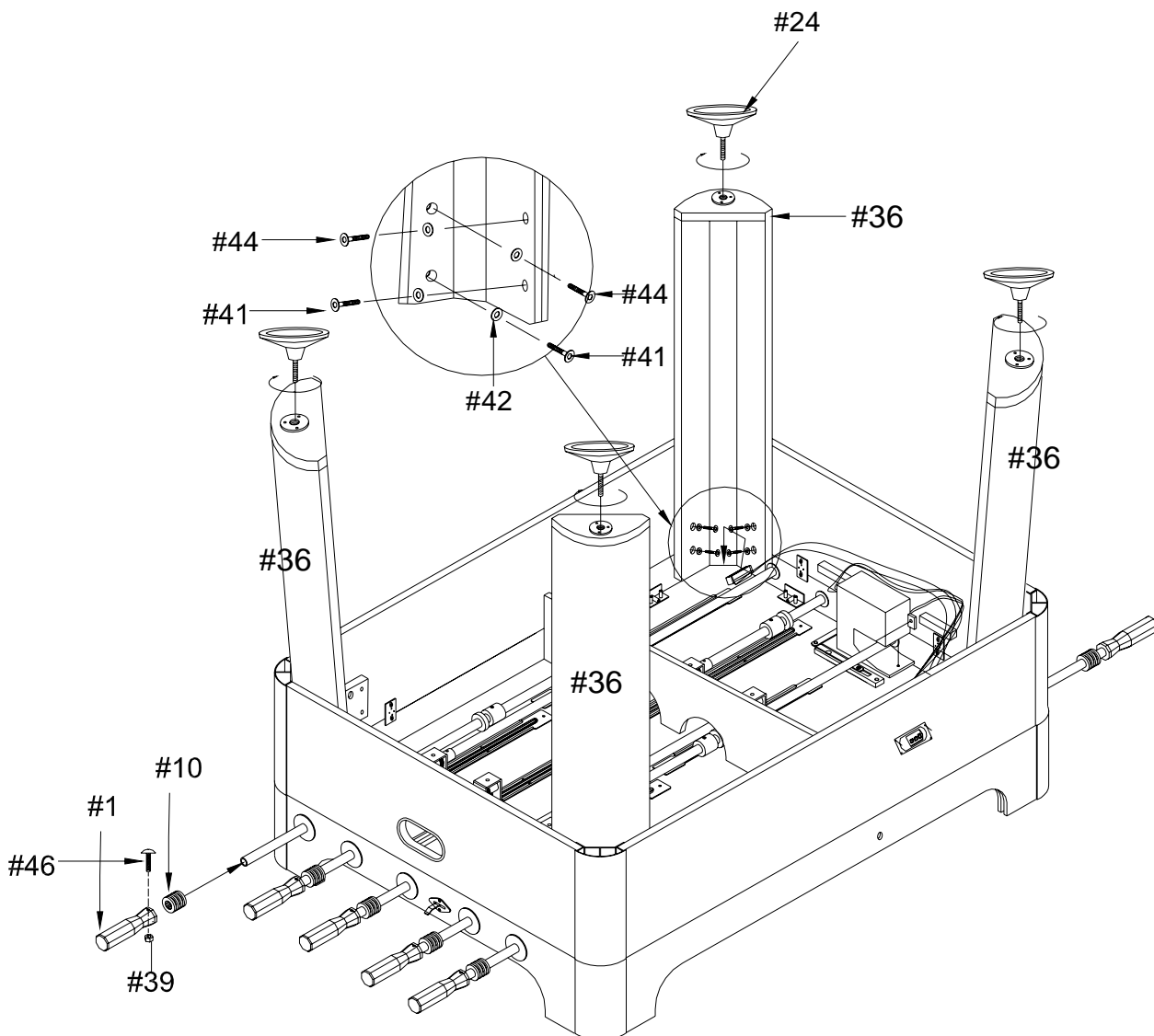
Step 5

- 12) Place the control panel of the Control Box (#20) into the rectangular hole on the finished Side Panel with Opening (#28) from inside out, secure with four Screws (#48).
- 13) Attach the Control Box (#20) to the hole of on the Side Panel with Opening (#28) and secure with four Screws (#45).
- 14) Connect the puck catcher wire from the Puck Catcher (# 11) to the hole in the top of the Control Box (#20) as shown in diagram.
- 15) Please refer to diagram, connect the left (short) wiring harness (#22) and the right (long) wiring harness (#21) to the back of the control box (#20). Stretch the scoreboard wires (#21 and #22) to the matching color-coded corner of the panel assembly as per the diagram. You will leave the wires unconnected until a later step.



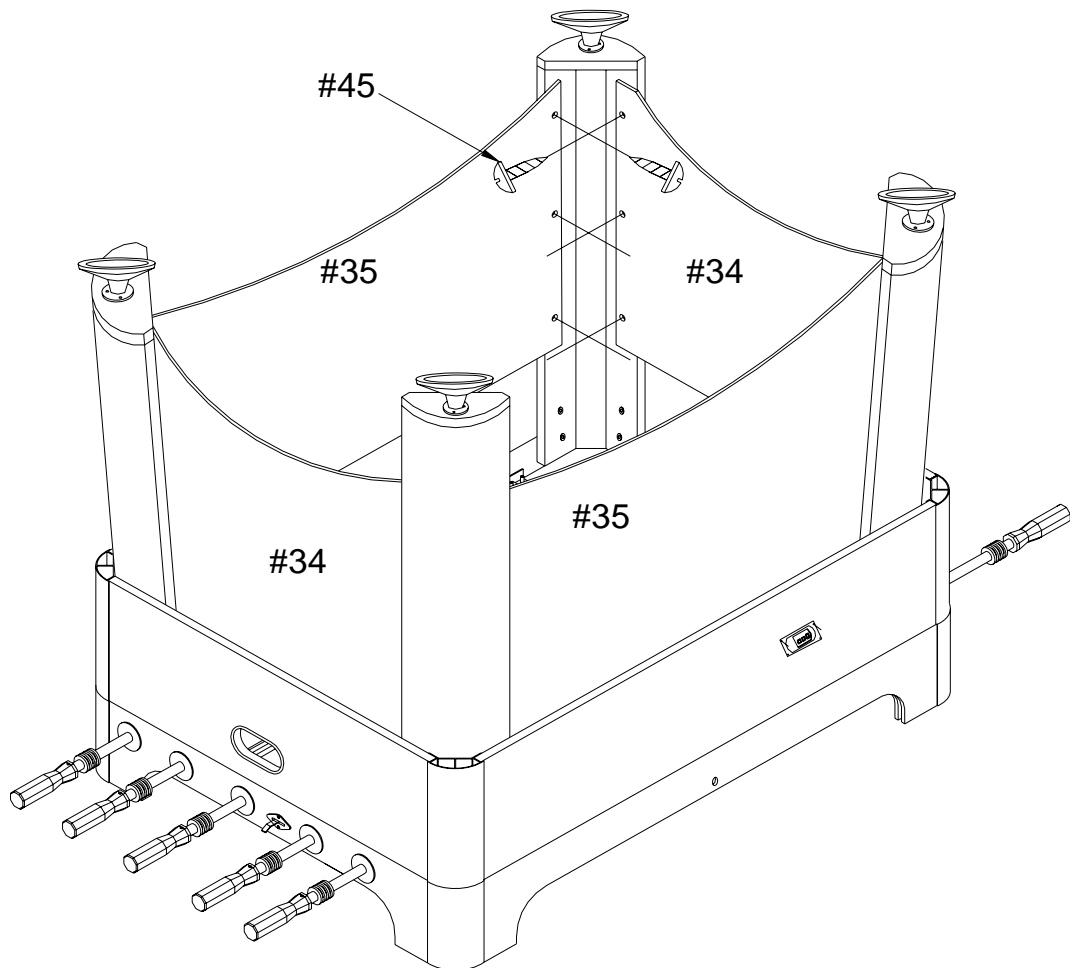
Step 6

- 16) Secure the four legs (#36) to the bottom side of the leg braces at table cabinet using two Bolts (#41) and two Flat Washers (#42) per leg. Next, secure two Bolts (#44) and two Flat Washers (#42) to the upper side of the leg braces at the table cabinet per leg.
- 17) Screw the four bell style Leg Levelers (#24) into each leg.
- 18) Attach one Rod Bushing (#10) to each rod hockey player rod as shown in diagram.
- 19) Attach one Rod Handle (#1) to each rod hockey player rod and secure with one Bolt (#46) and one Hex Nut (#39) as shown in the diagram.



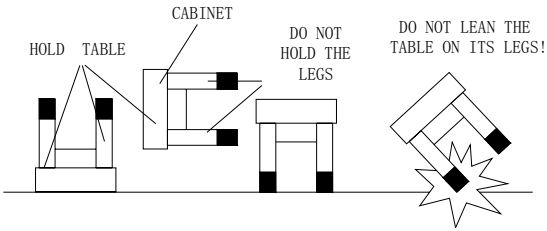
Step 7

20) Attach one Leg End Panel (#34) and Leg Side Panel (#35) between two legs (#36) using six Screws (#45) per panel. Repeat to attach the other Leg End Panel (#34) and Leg Side Panel (#35).



Step 8

21) With help of another adult, lift the table assembly from the floor, turn it over and set table on its legs in the location where you will play. Go back and make sure that all connections are tight.

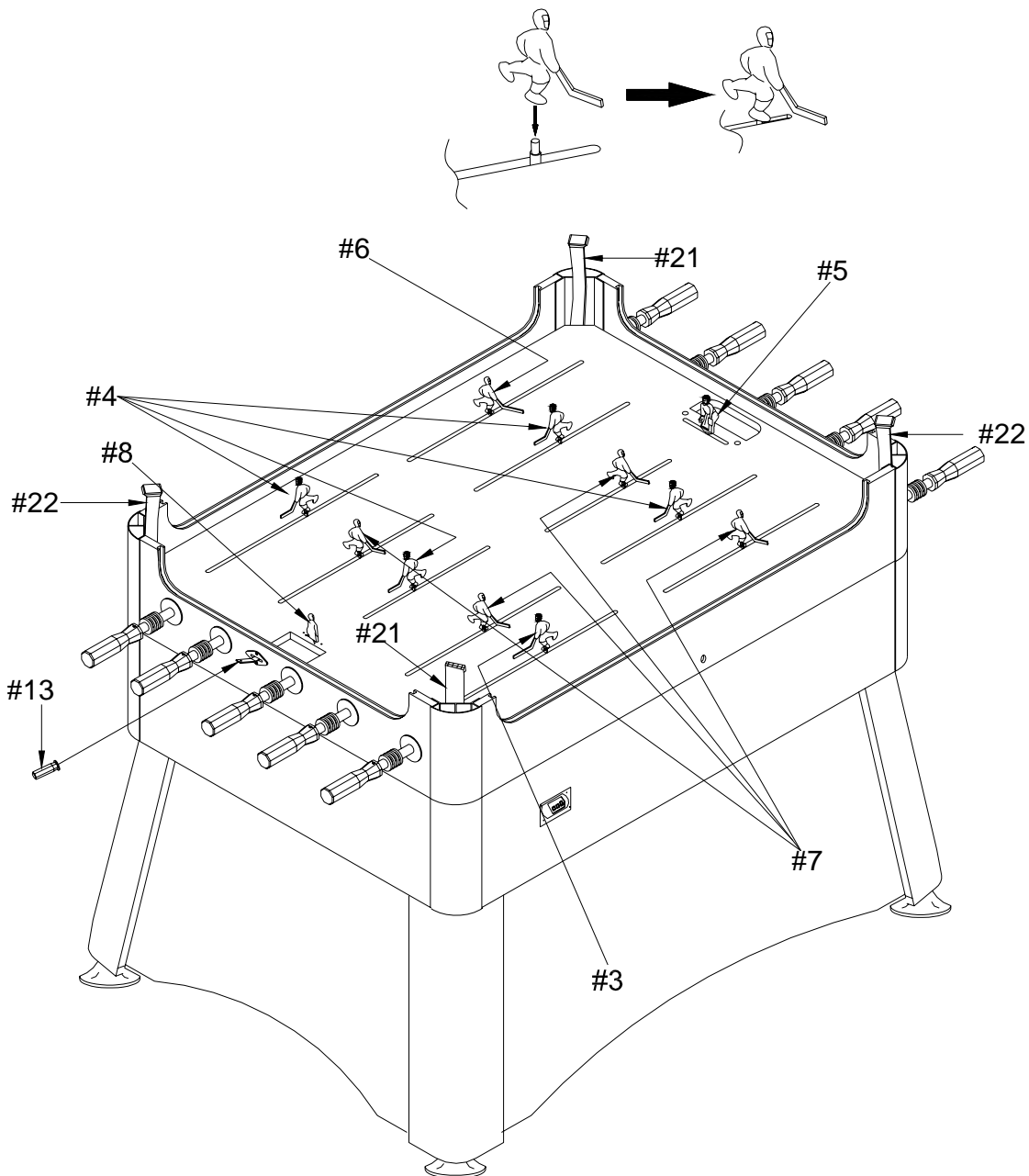


CAUTION: Two strong adults are recommended to turn the table over as shown.

1. Lift the table off the ground.
2. Turn the table over.
3. Place it on all four feet at the same time on the ground.

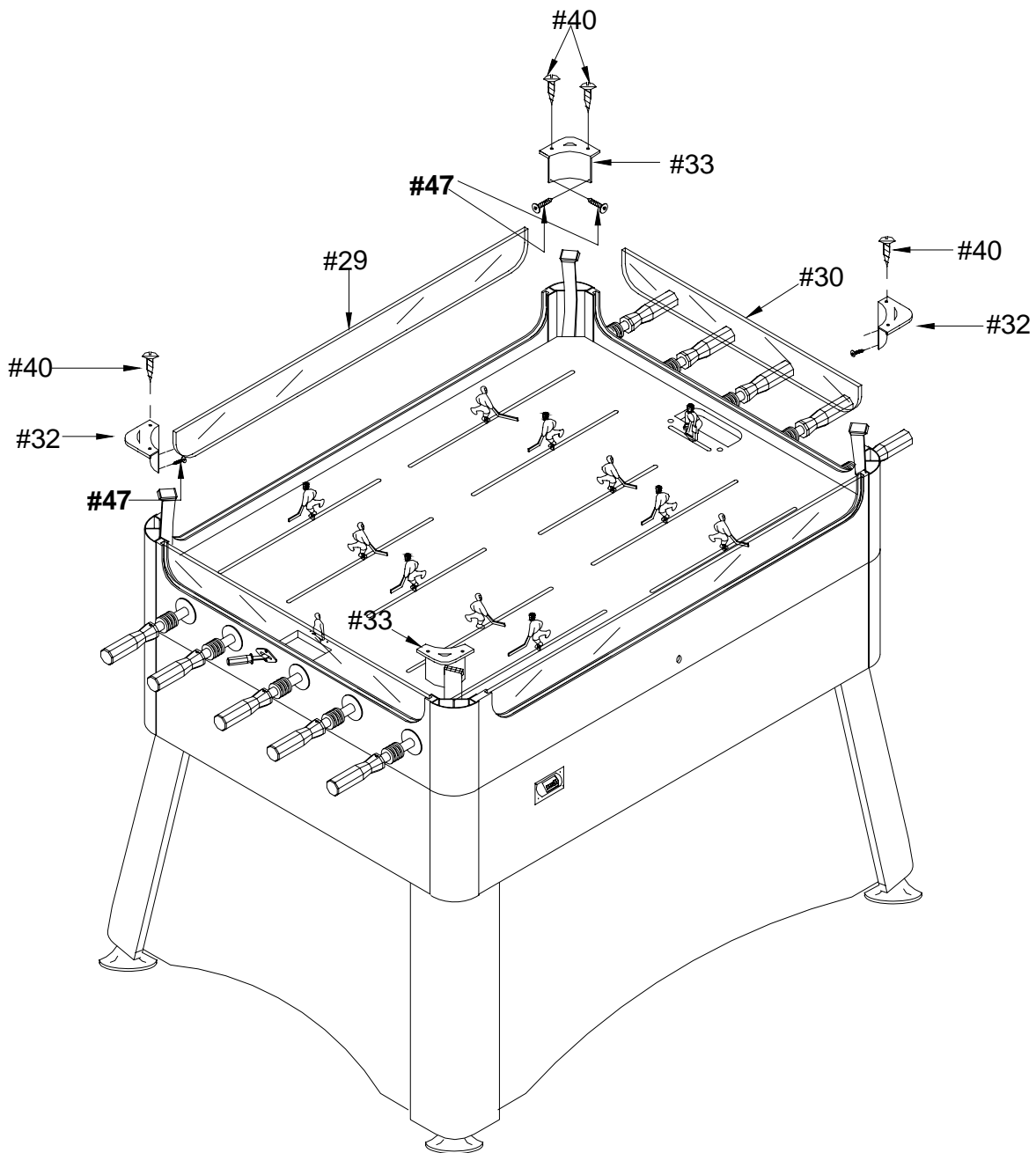
22) Attach the rod hockey Players (#3 - #8) to each player rod by pushing the player into the dowel of the gear mechanism. Make sure the players are installed to the correct player rod as shown in the diagram.

23) Slide the Goalie Handle (#13) onto the Goalie Control Rod (#49)



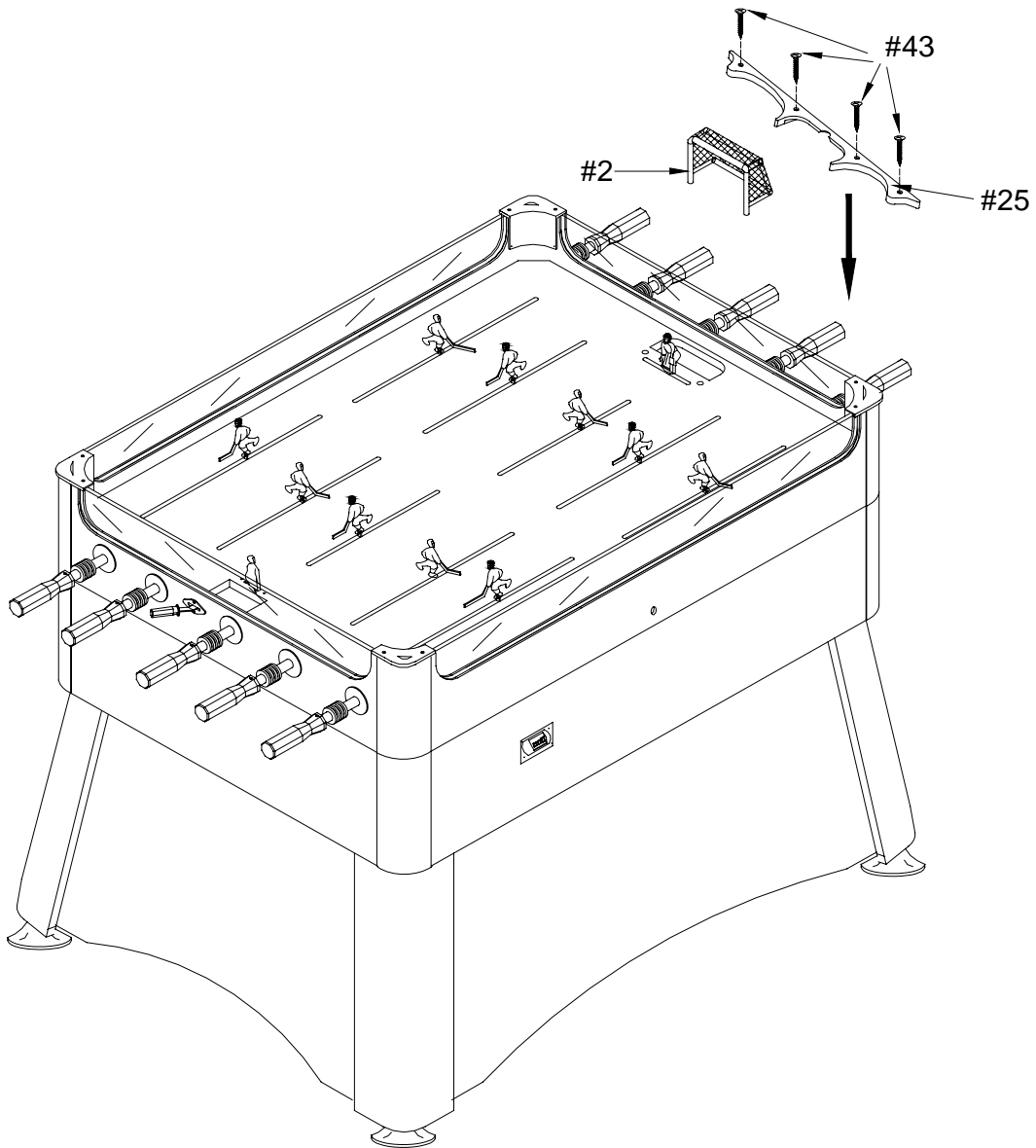
Step 9

- 24) Attach the two Acrylic Inserts - Long (# 29) onto each top of side panel as shown in the diagram. Next, attach the two Acrylic Inserts - Short (#30) onto each top of end panel as shown in the diagram.
- 25) Attach Corner Scoreboard (#32 and #33) to the apron corner which has the pre-installed wiring harness (# 21 and #22) by connecting to the wiring plug and secure with two Screws (#40) and two Screws (# 47). NOTE: Make sure the Screws (#40) are attached to the top of the corner scoreboard and Screws (#47) are attached to the bottom of the apron corner as shown in the diagram.



Step 10

- 26) Insert the Hockey Goal (#2) into the appropriate holes on each end of the playfield. Place the Playfield End (#25) on the playfield so it is up against the end panel. Secure with the small Flat Head Screws (#43).
- 27) Now go back and make sure all the connections are tighten. Turn on the Scorer in On/Off switch.



PARTS ORDER FORM

If for some reason you are missing any assembly parts for your Halex game table, please call the Regent Sports Customer Service line at (877) 516-9707 (toll free) between the hours of 10:00am and 5:00pm EST or go online at www.regent-halex.com for parts ordering. Please refer to the REGENT SPORTS LIMITED WARRANTY concerning missing and defective parts.

Parts also may be ordered by filling out the form below. Please fill in all the information and return to:

REGENT SPORTS CORP.
45 RANICK ROAD
HAUPPAUGE, NEW YORK, 11788
ATTN: CUSTOMER SERVICE

REGENT SPORTS CORP. requires that all orders for replacement parts must be paid by check, money order, VISA, or MC. Cash is not accepted. Please make all checks or money orders payable to REGENT SPORTS CORP. *Please note all prices include shipping and handling.*

Name of Purchaser: _____

Address: _____

City: _____

State: _____ **Zip Code:** _____

Phone: _____

PART #	DESCRIPTION	QUANTITY	PRICE	TOTAL COST
197-50045-01	rod handle		\$2.00	
197-50045-02	hockey goal		\$5.00	
197-50045-03	red short stick player		\$5.00	
197-50045-04	red long stick player		\$5.00	
197-50045-05	red goalie		\$5.00	
197-50045-06	blue short stick player		\$5.00	
197-50045-07	blue long stick player		\$5.00	
197-50045-08	blue goalie		\$5.00	
197-50045-09	hockey puck		\$1.00	
197-50045-10	rod bushing		\$1.00	
197-50045-11	puck return		\$5.00	
197-50045-12	hockey cabinet		\$70.00	
197-50045-13	goalie handle		\$1.00	
197-50045-14	3/8" Allen key bolt		\$1.00	
197-50045-15	3/4" round head screw		\$1.00	
197-50045-16	adapter		\$5.00	
197-50045-17	long rod with gear mechanism		\$15.00	
197-50045-18	medium rod with gear mechanism		\$15.00	
197-50045-19	Short rod with gear mechanism		\$15.00	
197-50045-20	control box		\$10.00	

197-50045-21	left wiring harness (long)		\$5.00	
197-50045-22	right wiring harness (short)		\$5.00	
197-50045-23	corner piece		\$5.00	
197-50045-24	leg leveler		\$5.00	
197-50045-25	playfield end		\$5.00	
197-50045-26	end panel		\$10.00	
197-50045-27	center support		\$5.00	
197-50045-28	side panel with opening		\$10.00	
197-50045-29	long acrylic insert		\$7.50	
197-50045-30	short acrylic insert		\$7.50	
197-50045-31	side panel		\$10.00	
197-50045-32	corner scoreboard (counter)		\$7.50	
197-50045-33	corner scoreboard (timer)		\$7.50	
197-50045-34	end leg panel		\$5.00	
197-50045-35	side leg panel		\$5.00	
197-50045-36	leg		\$10.00	
197-50045-37	5/8" flat head screw		\$1.00	
197-50045-38	7/8" bolt		\$1.00	
197-50045-39	1/4" nut		\$1.00	
197-50045-40	1/2" round head screw		\$1.00	
197-50045-41	5/16" x 1 1/4" Allen key bolt		\$1.00	
197-50045-42	5/16" washer		\$1.00	
197-50045-43	3/4" flat head screw		\$1.00	
197-50045-44	5/16" x 1" Allen key bolt		\$1.00	
197-50045-45	1/2" round head screw		\$1.00	
197-50045-46	1 1/8" bolt		\$1.00	
197-50045-47	1/2" flat head screw		\$1.00	
197-50045-48	3/8" flat head screw		\$1.00	
197-50045-49	goalie control rod		\$ 3.50	
197-50045-50	Allen key tool		\$1.00	
197-50045-51	sticker sheet		\$2.50	
197-50045-52	gear mechanism		\$7.50	

Rod Hockey

Rules of Play

The Object of the Game

The object of Rod Hockey is to be the first player to score 10 goals against the opposing player.

Beginning the Game

Matches begin with the puck placed in the center of the rink, the 2 center-forwards being on their own side. Face off is made by releasing the puck in the center of the middle circle, the 2 center-forwards being in the position above mentioned. Before releasing the puck, be sure opponent is ready.

During Play

Players attempt to pass the puck to their own players, and utilizing the rods, try to score a goal. If the puck becomes stuck on a part of the table that cannot be reached by a hockey player, the puck needs to be picked up and placed in the center for a new face-off. Each player controls his/her own offense and defense during play. The goalie can be controlled for lateral movement to block shots on goal.

Scoring

A goal is scored when the puck enters and drops inside the opponent's goal.

A face-off is required to after each goal is scored.

Winning

The first player to score 10 points is declared the winner.



Also be sure to check out our web site at:

www.regent-halex.com



© 2007

Regent Sports Corporation

Hauppauge, New York