

TABLE
Games

Assembly instructions



61218-OSH

Halex
TM

LIMITED 90 DAY WARRANTY

This Halex product is warranted to be free from defects in workmanship or materials at the time of purchase for a period of 90 (ninety) days.

Should any evidence of defects appear within the limited warranty period after the date of purchase, Regent Sports will either send replacement parts or advise of another course of action. A list of replaceable parts can be found on the parts order form page of this manual. Parts not listed on this order form are not replaceable. Table tops, Playing surfaces, and main frames are not replaceable. This warranty covers normal consumer use and does not cover failures, which result from alterations, accidents, misuse, abuse, or neglect.

For prompt warranty service and special offers, please register your Halex product by visiting our website at: www.regent-halex.com or send in the warranty registration card provided. Please make sure to visit our website to order additional parts not covered under the warranty, as well as on-line instruction manuals and new product information.

A purchase receipt or other proof of date of purchase will be required before warranty service is performed. Requests for warranty service can be provided by e-mailing the customer service department at custservregent@aol.com or by calling customer service at:

877-516-9707 (Toll Free)

10:30 AM to 6:30 PM, EST. (Dec through Feb.)

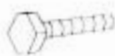







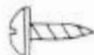
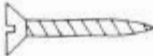








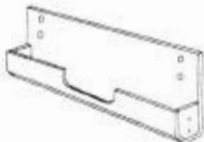

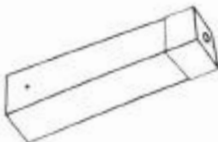



10:30 AM to 5:00 PM, EST. (March through Nov.)

Or send request in writing to:



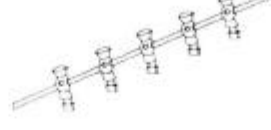


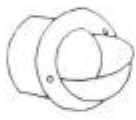
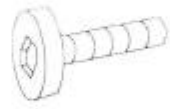


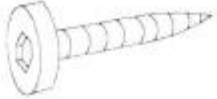

Regent Sports Corporation
45 Ranick Road
Hauppauge, NY 11788
Attn: Halex Customer Service

This warranty gives you specific legal rights and you may have other rights that vary from state to state. Please register your Halex Table Game for warranty service and special offers by visiting our web site at: www.regent-halex.com.

PARTS LIST FOR CUP FINAL TABLE SOCCER

<p>#1</p>  <p>5/16"X2-1/4" bolt 4 pieces</p>	<p>#2</p>  <p>5/16" washer 4 pieces</p>	<p>#3</p>  <p>1" phillips head screw 24 pieces</p>	<p>#4</p>  <p>1/4" support rod 3 pieces</p>
<p>#5</p>  <p>1/4" washer 6 pieces</p>	<p>#6</p>  <p>1/4" hex lock nut 8 pieces</p>	<p>#7</p>  <p>3/8"X2-1/4" bolt 16 pieces</p>	<p>#8</p>  <p>3/8" washer 16 pieces</p>
<p>#9</p>  <p>T4X8mm phillips head screw 10 pieces</p>	<p>#10</p>  <p>1-1/4" phillips head screw 4 pieces</p>	<p>#11</p>  <p>Rod cap 8 pieces</p>	<p>#12</p>  <p>Handle 8 pieces</p>
<p>#13</p>  <p>Plastic goal 2 pieces</p>	<p>#14</p>  <p>Slide scorer 2 pieces</p>	<p>#15</p>  <p>Green 1-man rod 1 piece</p>	<p>#16</p>  <p>Yellow 1-man rod 1 piece</p>
<p>#17</p>  <p>Wrench 1 piece</p>	<p>#18</p>  <p>Side panel 2 pieces</p>	<p>#19</p>  <p>End panel 2 pieces</p>	<p>#20</p>  <p>Playing surface 1 piece</p>
<p>#21</p>  <p>Leg 4 pieces</p>	<p>#22</p>  <p>Green 3-man rod 1 piece</p>	<p>#23</p>  <p>Green 2-man rod 1 piece</p>	<p>#24</p>  <p>Green 5-man rod 1 piece</p>

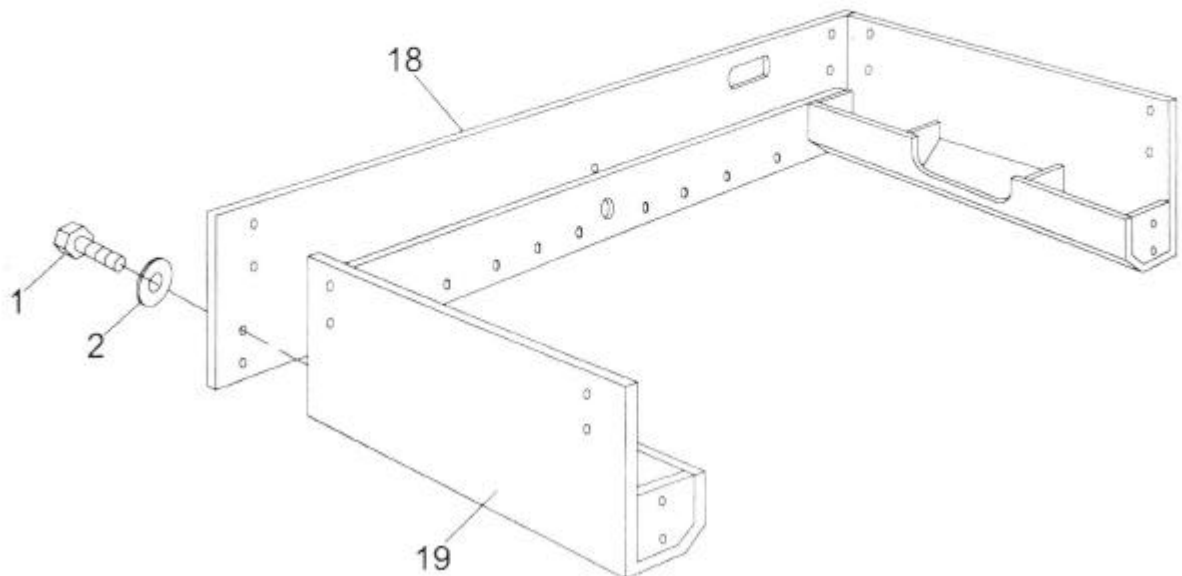
PARTS LIST (cont.)

<p>#25</p>  <p>Yellow 3-man rod 1 piece</p>	<p>#26</p>  <p>Yellow 2-man rod 1 piece</p>	<p>#27</p>  <p>Yellow 5-man rod 1 piece</p>	<p>#28</p>  <p>Soccer ball 2 pieces</p>
<p>#29</p>  <p>1/2" phillips head screw 14 pieces</p>	<p>#30</p>  <p>Ball Entry Cup 2 pieces</p>	<p>#31</p>  <p>1/4"X5/8" bolt 2 pieces</p>	<p>#32</p>  <p>Lamp pole 1 piece</p>
<p>#33</p>  <p>Lamp shade 1 piece</p>	<p>#35</p>  <p>1-1/2" screw 2 pieces</p>	<p>#36</p>  <p>Drink Holder 2 pieces</p>	

ASSEMBLY INSTRUCTIONS FOR CUP FINAL TABLE SOCCER

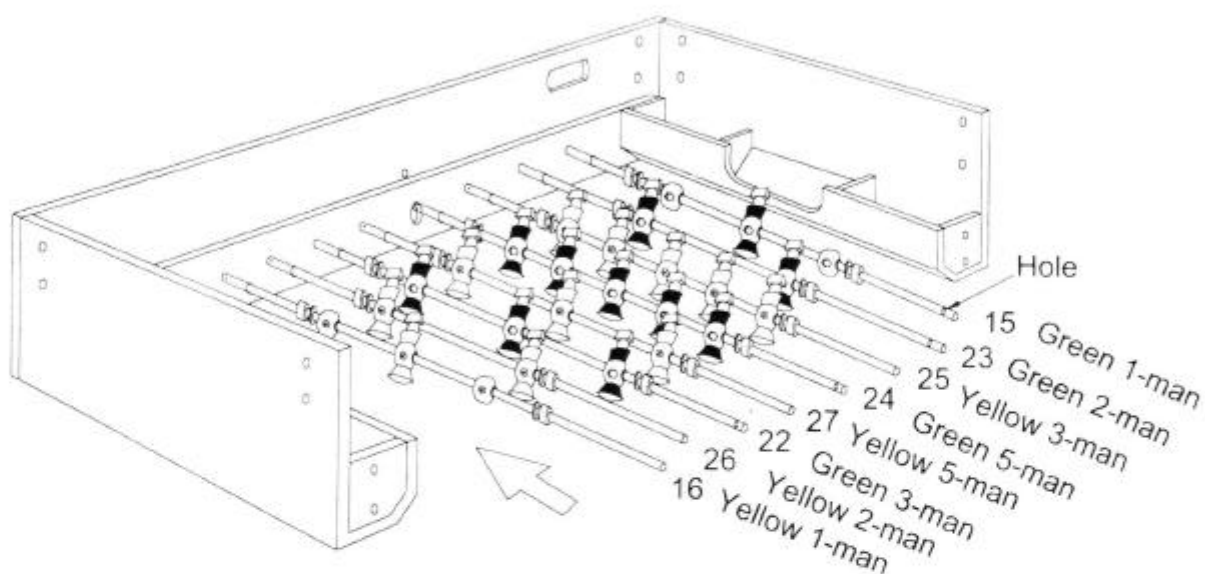
Step 1:

Attach both end panels (part #19) to the side panel (part #18) using the 5/16"X2-1/4" bolts (part #1) and 5/16" washers (part #2).



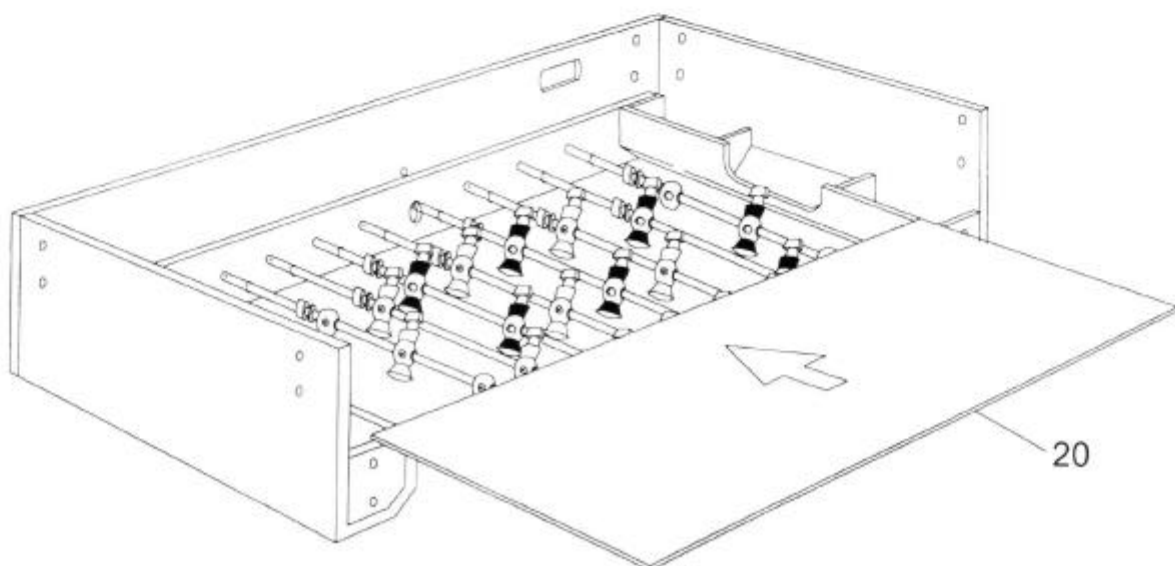
Step 2:

Begin inserting the player rods into the side panel. When doing this, note that the table is upside down during this step. Begin at the left side of the table with the Green 3-player rod and proceed to the right side of the table following the diagram. **IMPORTANT:** When inserting the Green player rods, the hole at the end of the rod should be furthest away from you; when inserting the yellow player rods, this hole will be closest to you (the handles will cover this hole when the table is assembled).



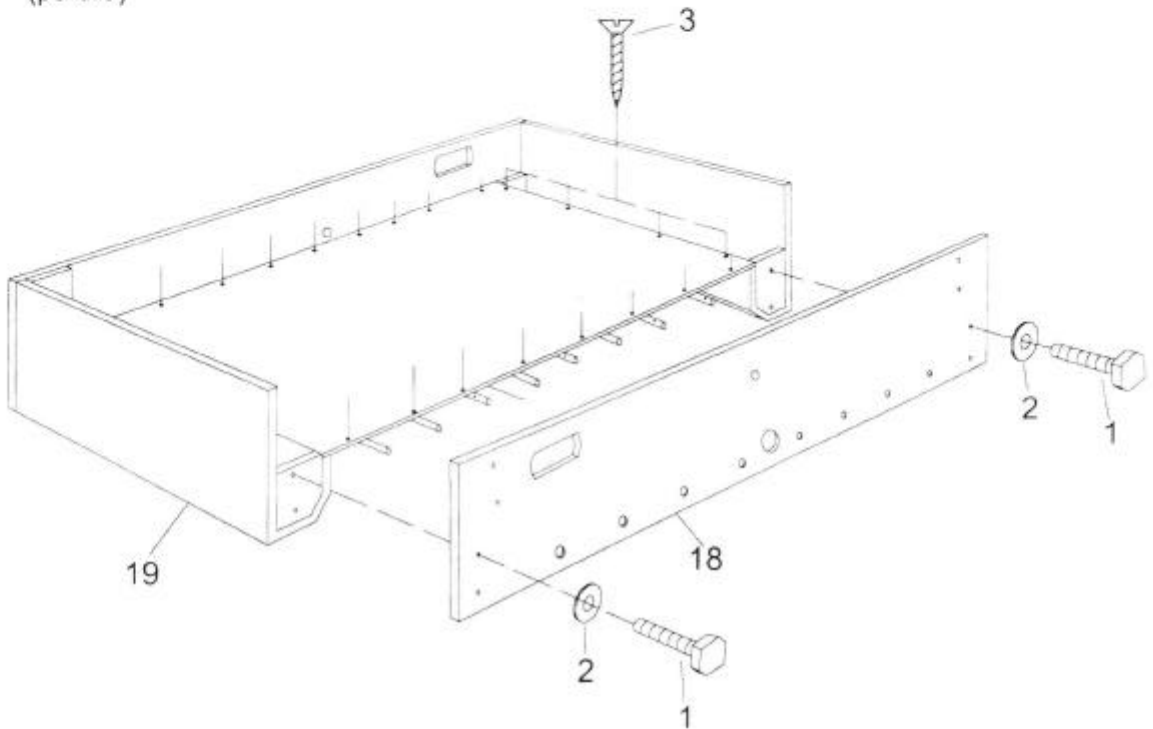
Step 3:

Place the playing surface (part #20) face down in the groove on the side panel and resting on both end panels.



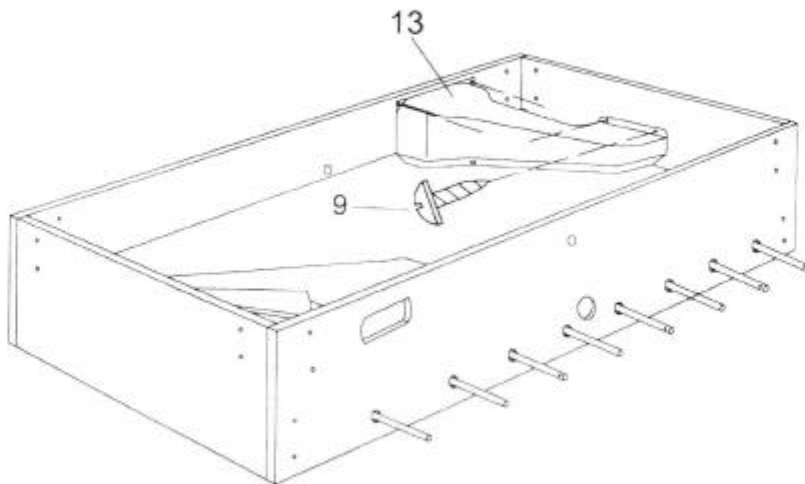
Step 4:

Attach the remaining side panel (part#18) to the end panels (part#19) using the 5/16"X2-1/4"bolt (part#1) and 5/16" washers (part#2). Make sure the playing surface is resting in the groove on the side panel and feed the player rod ends through the side panel. Once the side panel is secure, fasten the playing surface in place using the 1" Phillips head screws (part#3)



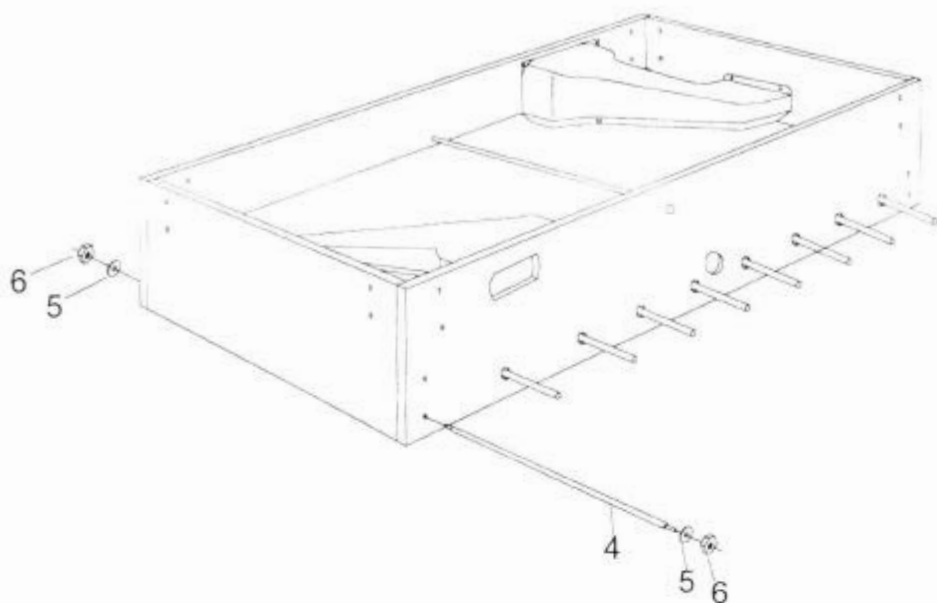
Step 5:

Attach the side ball returns (part #13) to the underside of the table using the 8mm Phillips (part #9) head screws.



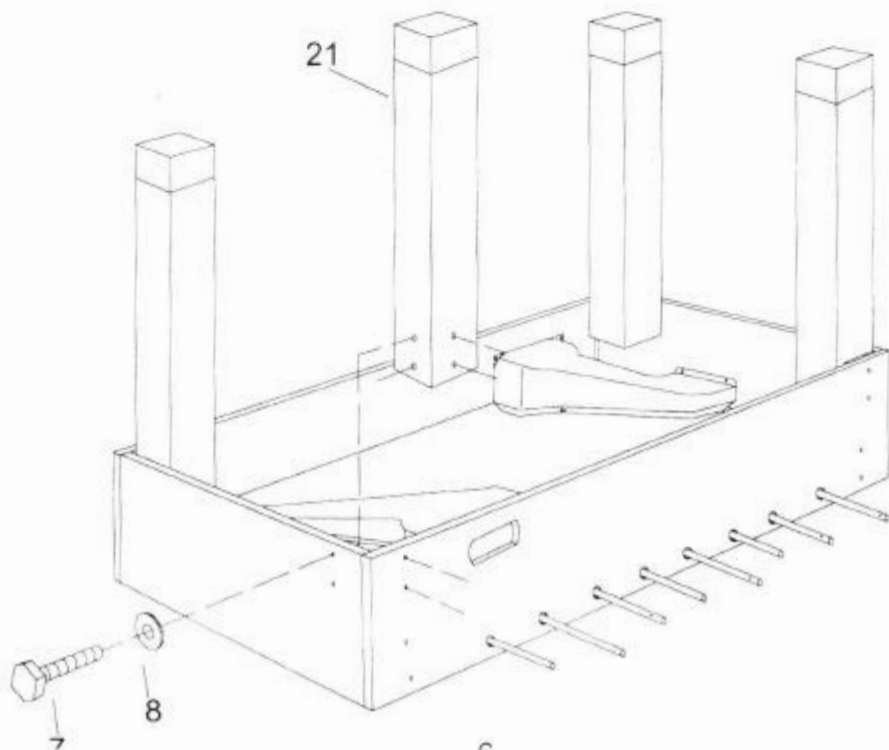
Step 6:

Insert the support rods (part #4) through the corresponding holes in the side panels. Tighten the support rods using the 1/4" washers (part #5) and the 1/4" hex lock nut (part #6).



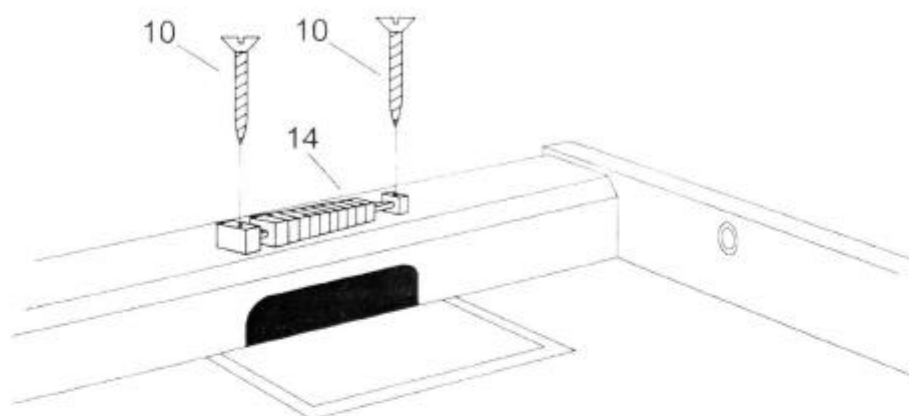
Step 7:

Attach the legs (part #21) to the base using the 3/8"X2-1/4" bolt (part #7) and the 3/8" washers (part #8).



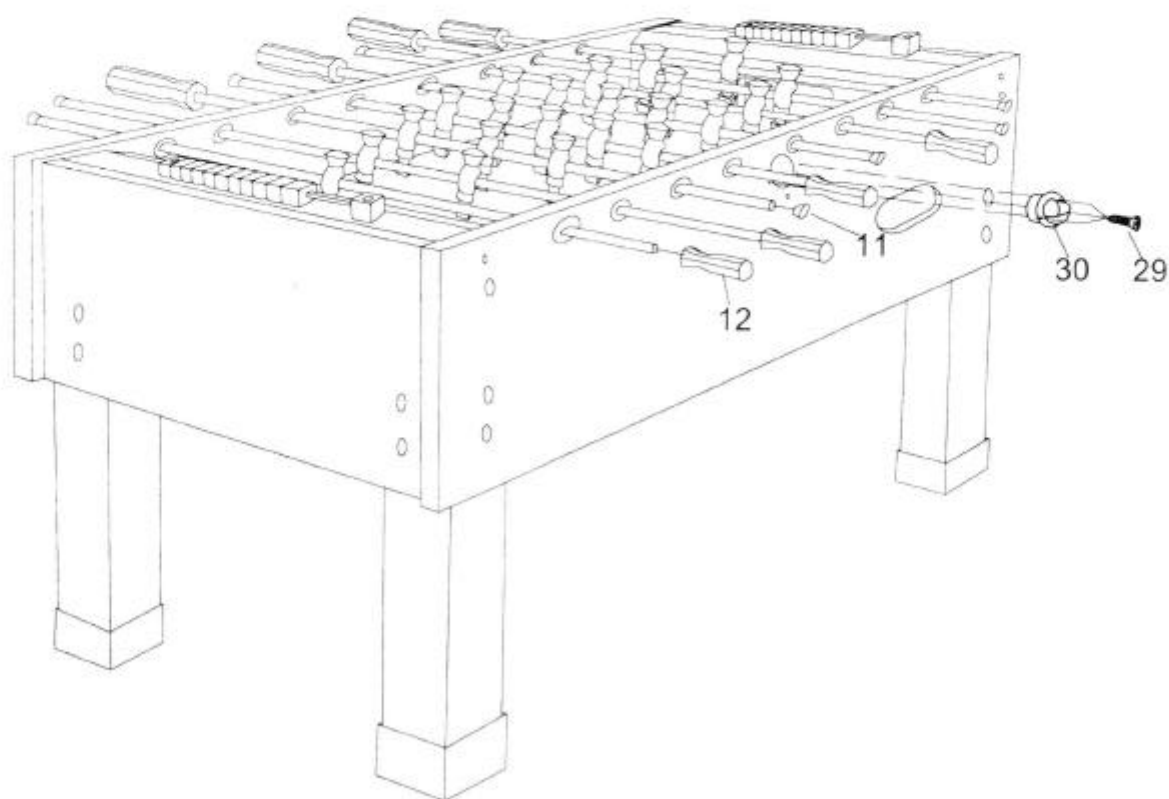
Step 8:

Attach the slide scorers (part #14) to top of the end panel with the corresponding pre-drilled holes using the 1 1/4" phillips head screws (part #10).



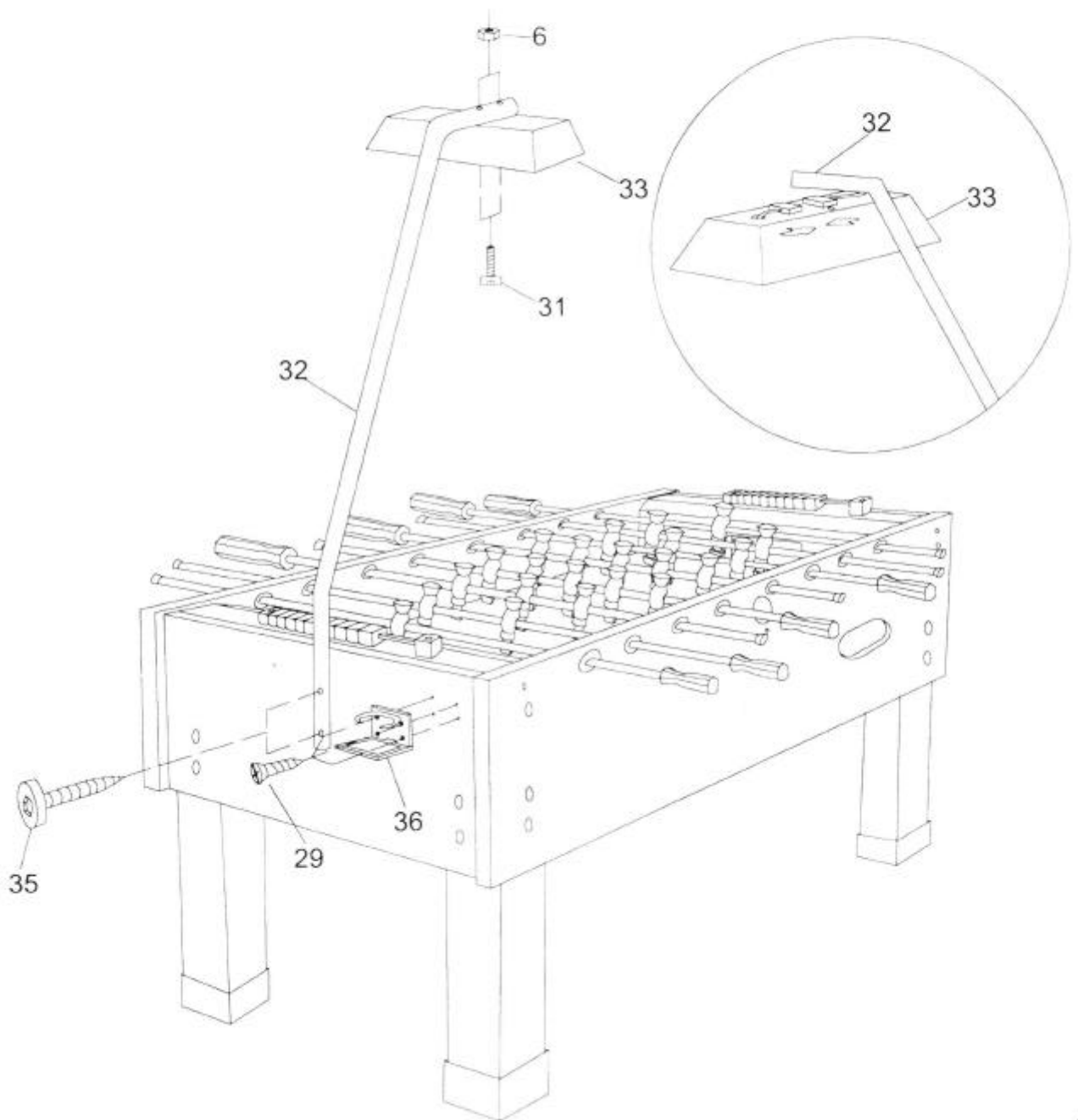
Step 9:

Place the rod handles (part #12) over the ends of the rods with the holes. Place the rubber end caps (part #11) over the rod ends opposite the handles. Attach ball entry cup (part #30) to the side panels with screws (part #29).



Step 10:

Attach the lamp pole (part #32) to the end of the table using the 1-1/2" phillips head screws (part #35). Attach the lamp shade (part #33) to the lamp pole (part#32) using the 1/4"X5/8" bolts (part #31) and the 1/4" hex lock nuts (part #6). Attach the drink holders (part #36) to the ends of the table using the 1/2" phillips head screw (part #29).



PARTS ORDER FORM

If for some reason you are missing any assembly parts for your Halex game table, please call the Regent Sports Customer Service line at (877) 516-9707 (toll free) between the hours of 10:30am and 6:30pm EST or go online at www.regent-halex.com for parts ordering. Please refer to the REGENT SPORTS LIMITED WARRANTY concerning missing and defective parts.

Parts also may be ordered by filling out the form below. Please fill in all the information and return to:

REGENT SPORTS CORP.
45 RANICK ROAD
HAUPPAUGE, NEW YORK, 11788
ATTN: CUSTOMER SERVICE

REGENT SPORTS CORP. requires that all orders for replacement parts must be paid by check, money order, VISA, or MC. Cash is not accepted. Please make all checks or money orders payable to REGENT SPORTS CORP. *Please note all prices include shipping and handling.*

Name of Purchaser: _____
Address: _____
City: _____
State: _____ **Zip Code:** _____
Phone: _____

PART #	DESCRIPTION	QUANTITY	PRICE	TOTAL COST
191-61218-1	5/16"X2-1/4" bolt		\$1.00	
191-61218-2	5/16" washer		\$1.00	
191-61218-3	1" Phillips head screw		\$1.00	
191-61218-4	Support rod		\$10.00	
191-61218-5	1/4" washer		\$1.00	
191-61218-6	1/4" hex lock nut		\$1.00	
191-61218-7	3/8"X2-1/4" bolt		\$1.00	
191-61218-8	3/8" washer		\$1.00	
191-61218-9	8mm Phillips head screw		\$1.00	
191-61218-10	1-1/4" Phillips head screw		\$1.00	
191-61218-11	Rod end cap		\$2.00	
191-61218-12	Rod handle		\$5.00	
191-61218-13	Side ball return		\$7.50	
191-61218-14	Side scorer		\$7.50	
191-61218-15	Green 1-player rod		\$12.00	
191-61218-16	Yellow 1-player rod		\$12.00	
191-61218-18	Side panel		\$15.00	
191-61218-19	End panel		\$12.00	
191-61218-21	Leg		\$17.00	
191-61218-22	Green 3-player rod		\$12.00	
191-61218-23	Green 2-player rod		\$12.00	
191-61218-24	Green 5-player rod		\$12.00	
191-61218-25	Yellow 3-player rod		\$12.00	
191-61218-26	Yellow 2-player rod		\$12.00	
191-61218-27	Yellow 5-player rod		\$12.00	
191-61218-28	Soccer ball		\$5.00 ea	
191-61218-29	1/2" Phillips head screw		\$1.00	
191-61218-30	Ball entry cup		\$5.00	
191-61218-31	1/4"X5/8" bolt		\$1.00	
191-61218-32	Light rod		\$10.00	
191-61218-33	Lamp shade		\$10.00	
191-61218-34	Lamp		\$10.00	
191-61218-35	1-1/2" Phillips head screw		\$1.00	
191-61218-36	Drink holder		\$5.00	

Also be sure to check out our web site at:

www.regent-halex.com

• Parts Ordering • Owners Manual • Product Information



© 2001
Regent Sports Corporation
Hauppauge, New York