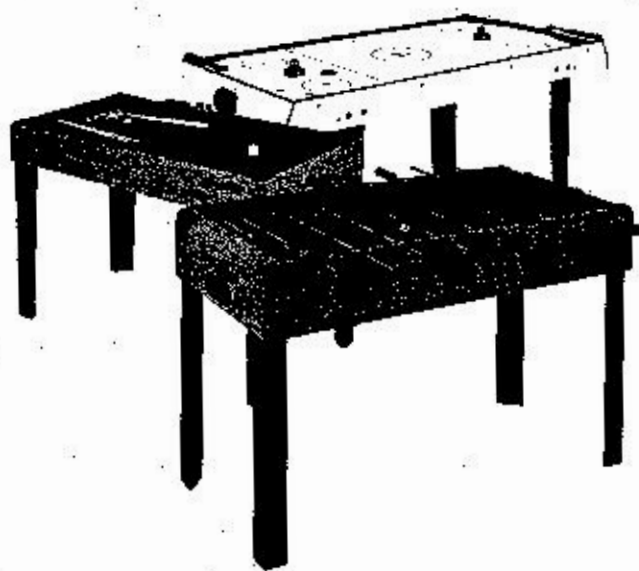


Games

Assembly instructions



63550

Halex

TM

CARE AND USE OF YOUR TABLE

WARNING: To reduce the risk of fire, electric shock or injury to persons, use this unit only in the manner intended by the manufacturer. If you have any question, contact the manufacturer. Before servicing or cleaning the unit, switch the power off and unplug the adapter from the wall outlet.

This appliance has a polarized plug (one blade is wider than the other). To reduce the risk of electric shock, this plug is intended to fit in a polarized outlet only one way. If the plug does not fit fully in the outlet, reverse the plug. If it still does not fit, contact a qualified electrician. **DO NOT** attempt to defeat this safety feature.

1. Use spray furniture polish to clean all exterior surfaces of your game table.
2. Use only a suitable 120v AC household outlet.
3. This product is intended for INDOOR use only.
4. **DO NOT** sit, climb or lean on the table.
5. **DO NOT** drag the table when moving it. This will damage the leg.
6. The fan should be unplugged before cleaning and servicing.

LIMITED 90 DAY WARRANTY

This Halex product is warranted to be free from defects in workmanship or materials at the time of purchase for a period of 90 (ninety) days. Certain restrictions apply (see below).

Should any evidence of defects appear within the limited warranty period after the date of purchase, Regent Sports will either send replacement parts or advise of another course of action. A list of replaceable parts can be found on the parts order form page of this manual. Parts not listed on this order form are not replaceable. **Table tops, playing surfaces, and main frames are not replaceable.** This warranty covers normal consumer use and does not cover failures, which result from alterations, accidents, misuse, abuse, or neglect.

For prompt warranty service and special offers, please register your Halex product at our customer service center by visiting our website at: www.regent-halex.com. Enter the following unique registration number followed by the item number of your table found on the cover of this manual: 1ZAK7 _____. You can also register your product on our automated voice recognition system at the toll free number below. You must register your product within 30 days of purchase to be eligible for warranty service. Please make sure to visit our website to order additional parts not covered under the warranty, as well as on-line instruction manuals and new product information. You may also order parts by calling our automated voice recognition system.

A purchase receipt or other proof of date of purchase will be required before warranty service is performed. Requests for warranty service can be provided by e-mailing the customer service department at cstables@regent-halex.com or by calling customer service at:

877-516-9707 (Toll Free)

10:00 AM to 6:00 PM, EST. (Dec. through Jan.)













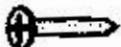


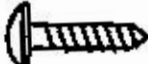











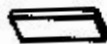
10:00 AM to 5:00 PM, EST. (Feb. through Nov.)

Or send request in writing to:




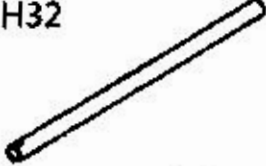



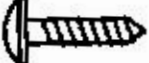



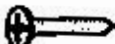

Regent Sports Corporation
45 Ranick Road
Hauppauge, NY 11788
Attn: Halex Customer Service

This warranty gives you specific legal rights and you may have other rights that vary from state to state.

PARTS IDENTIFIER

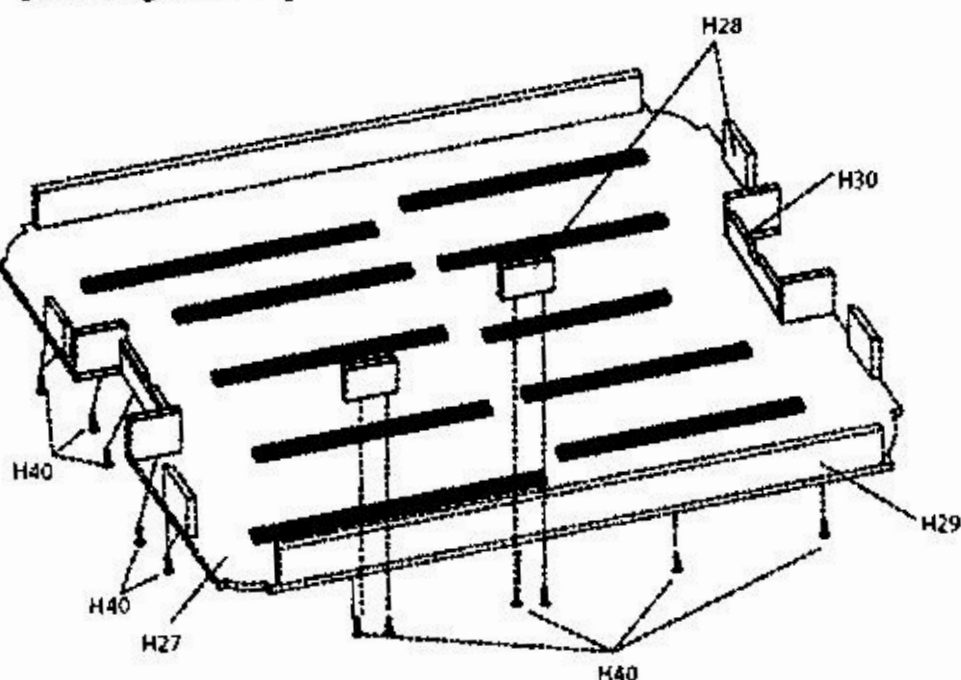
<p>H1</p>  <p>MANUAL SCORER 2pcs</p>	<p>H2</p>  <p>HOCKEY GOAL 2pcs</p>	<p>H3</p>  <p>SHORT STICK RED PLAYER 1pcs</p>	<p>H4</p>  <p>LONG STICK RED PLAYER 4pcs</p>
<p>H5</p>  <p>RED GOALIE 1pcs</p>	<p>H6</p>  <p>SHORT STICK BLUE PLAYER 1pc</p>	<p>H7</p>  <p>LONG STICK BLUE PLAYER 4pcs</p>	<p>H8</p>  <p>BLUE GOALIE 1pcs</p>
<p>H9</p>  <p>LEG 4 Pcs</p>	<p>H10</p>  <p>LEG PANEL 2pcs</p>	<p>H11</p>  <p>HOCKEY PUCK 4pcs</p>	<p>H12</p>  <p>TOOL 1pcs</p>
<p>H13</p>  <p>3/4\" PHILLIPS HEAD SCREW 12pcs</p>	<p>H14</p>  <p>BOLT 16pcs</p>	<p>H15</p>  <p>FLAT WASHER 16pcs</p>	<p>H16</p>  <p>ROUND HEAD SCREW 10pcs</p>
<p>H17</p>  <p>1/8\" ROUND HEAD SCREW 16pcs</p>	<p>H18</p>  <p>HOCKEY ROD GRIP 10pcs</p>	<p>H19</p>  <p>HOCKEY ROD BUSHING 10pcs</p>	<p>H20</p>  <p>ELECTRONIC SCORER 1pc</p>
<p>H21</p>  <p>PLASTIC INSERT 2pcs</p>	<p>H22</p>  <p>SHORT SIDE PANEL 2pcs</p>	<p>H23</p>  <p>LARGE HOCKEY CORNER 4pcs</p>	<p>H24</p>  <p>HOCKEY CORNER 4pcs</p>
<p>H25</p>  <p>PUCK CATCHER 2pcs</p>	<p>H26</p>  <p>LONG SIDE PANEL 2pcs</p>	<p>H27</p>  <p>BOTTOM PANEL 1pc</p>	<p>H28</p>  <p>ROD SUPPORT PANEL 6pcs</p>

PARTS IDENTIFIER

<p>H29</p>  <p>SIDE SUPPORT 2pcs</p>	<p>H30</p>  <p>END SUPPORT 2pcs</p>	<p>H31</p>  <p>HOCKEY GEAR 10pcs</p>	<p>H32</p>  <p>LONG HOCKEY ROD 4pcs</p>
<p>H33</p>  <p>SHORT HOCKEY ROD 4pcs</p>	<p>H34</p>  <p>MEDIUM HOCKEY ROD 2pcs</p>	<p>H35</p>  <p>GOALIE IRON BAR 2pcs</p>	<p>H36</p>  <p>1/2" ROUND HEAD SCREW 98 pcs</p>
<p>H37</p>  <p>TRIANGLE BLOCK 4pcs</p>	<p>H38</p>  <p>TOP PANEL 2pcs</p>	<p>H39</p>  <p>BLOCK 4pcs</p>	<p>H40</p>  <p>1" PHILLIPS HEAD SCREW 50pcs</p>
<p>H41</p>  <p>WOODEN BLOCK 8pcs</p>			

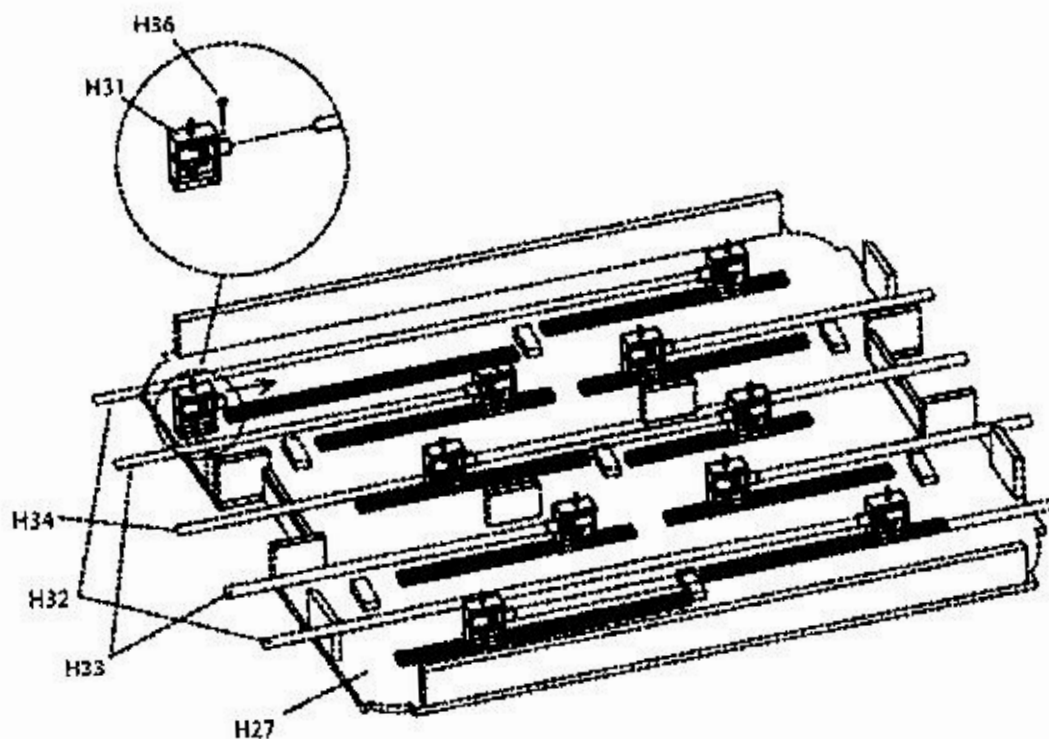
Step 1

Affix the side support(H29) and end support(H28,H30) to the bottom panel in the appropriate places on the bottom panel using the 1" phillips head screws(H40)as shown,using the diagram as a guide.



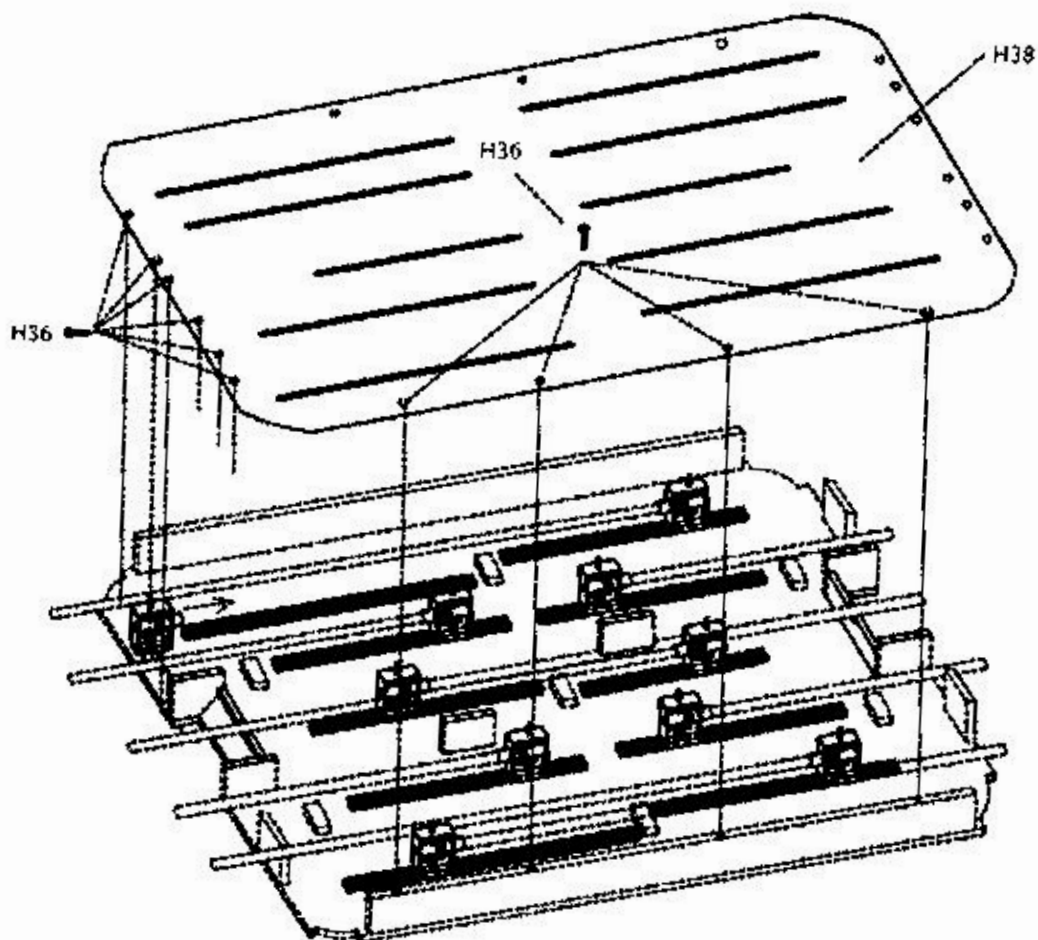
Step 2

Affix the hockey gears(H31) to long hockey rods(H32),the medium hockey rods(H34),and the short hockey rods(H33) using the 1/2" round head screws(H36).Place each rod in the appropriate track on the bottom panel(H27),using the diagram as a guide.



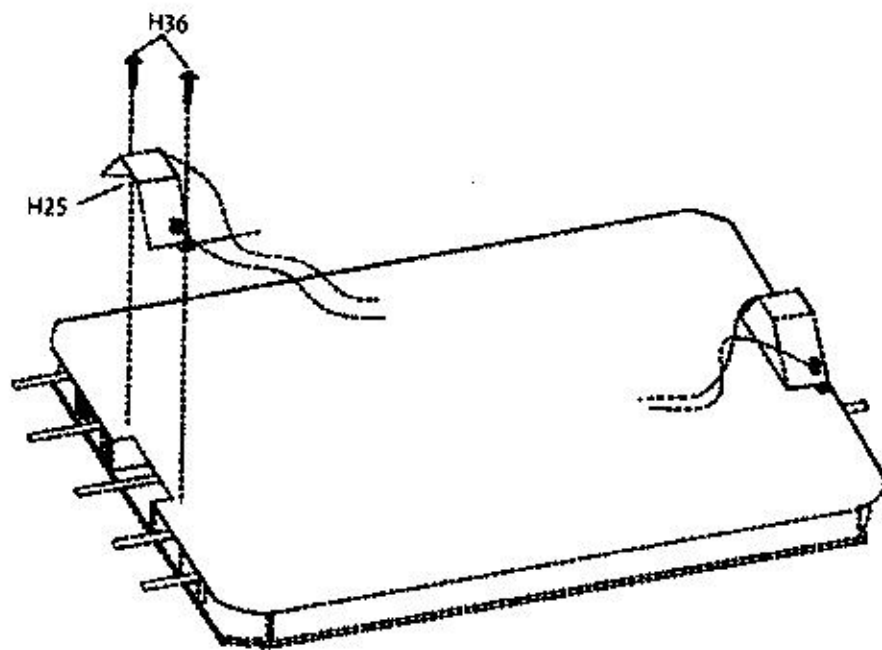
Step 3

Attach the top panel(H38) to the bottom panel by inserting the 1/2" round head screws(H36) into the appropriate holes as shown in the diagram.



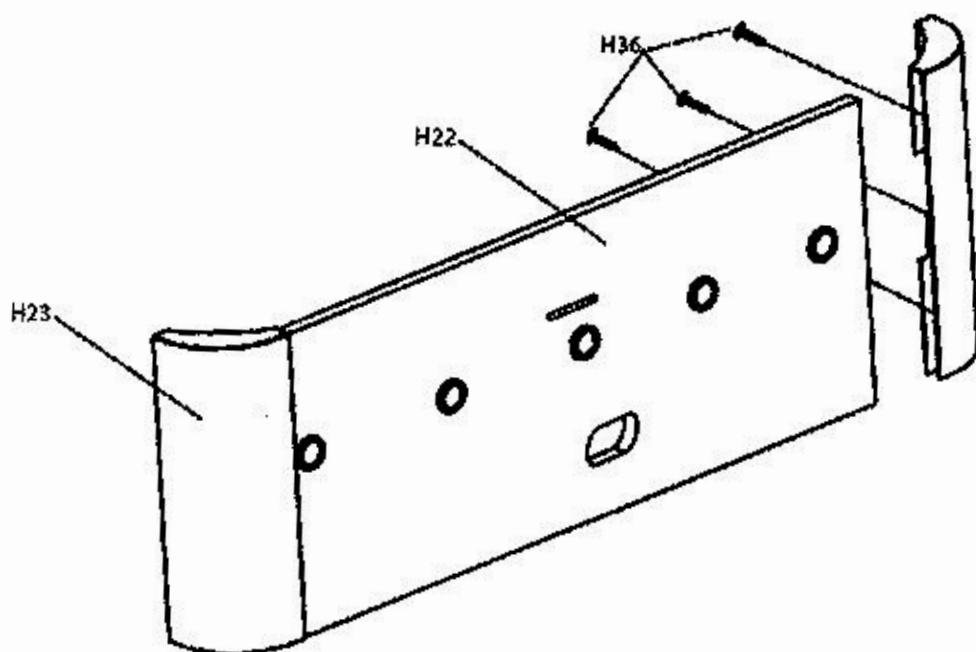
Step 4

Attach the puck catcher(H25) to the bottom panel using the 1/2" round head screws(H36).



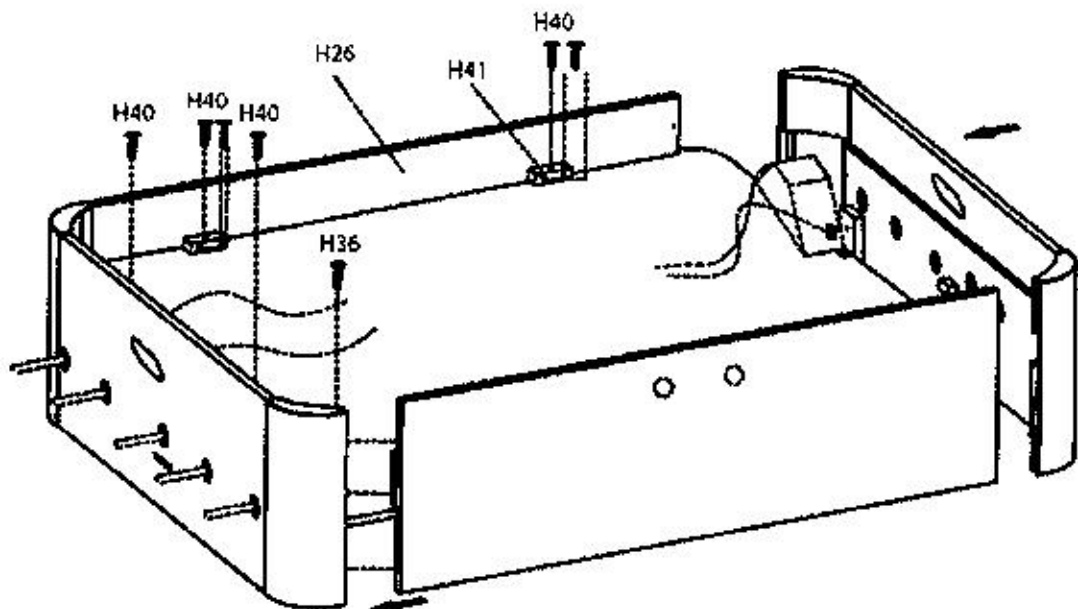
Step 5

Connect the short side panels(H22) to the large hockey corners(H23) using the 1/2" round head screws(H36).



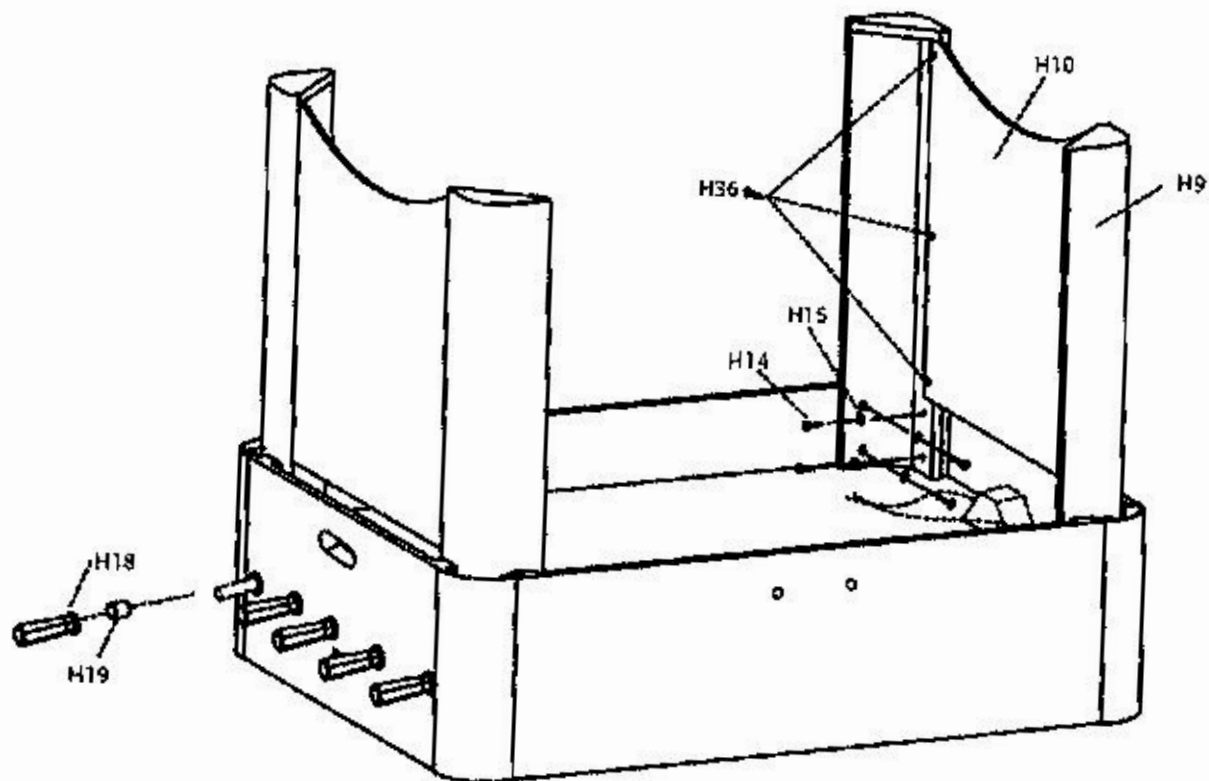
Step 6

Secure the hockey corners with long side panels (H26) using the 1/2" round head screws(H36).Place the edge of the bottom panel in groove of the long side panels(H26).Do the same with the short side panel as show in the diagram. Affix the wooden blocks(H41) to the side and end panels in the appropriate places using 1" Phillips head screws(H40).Secure the wooden blocks(H41) to the bottom panel by inserting 1" Phillips head screws(H40).



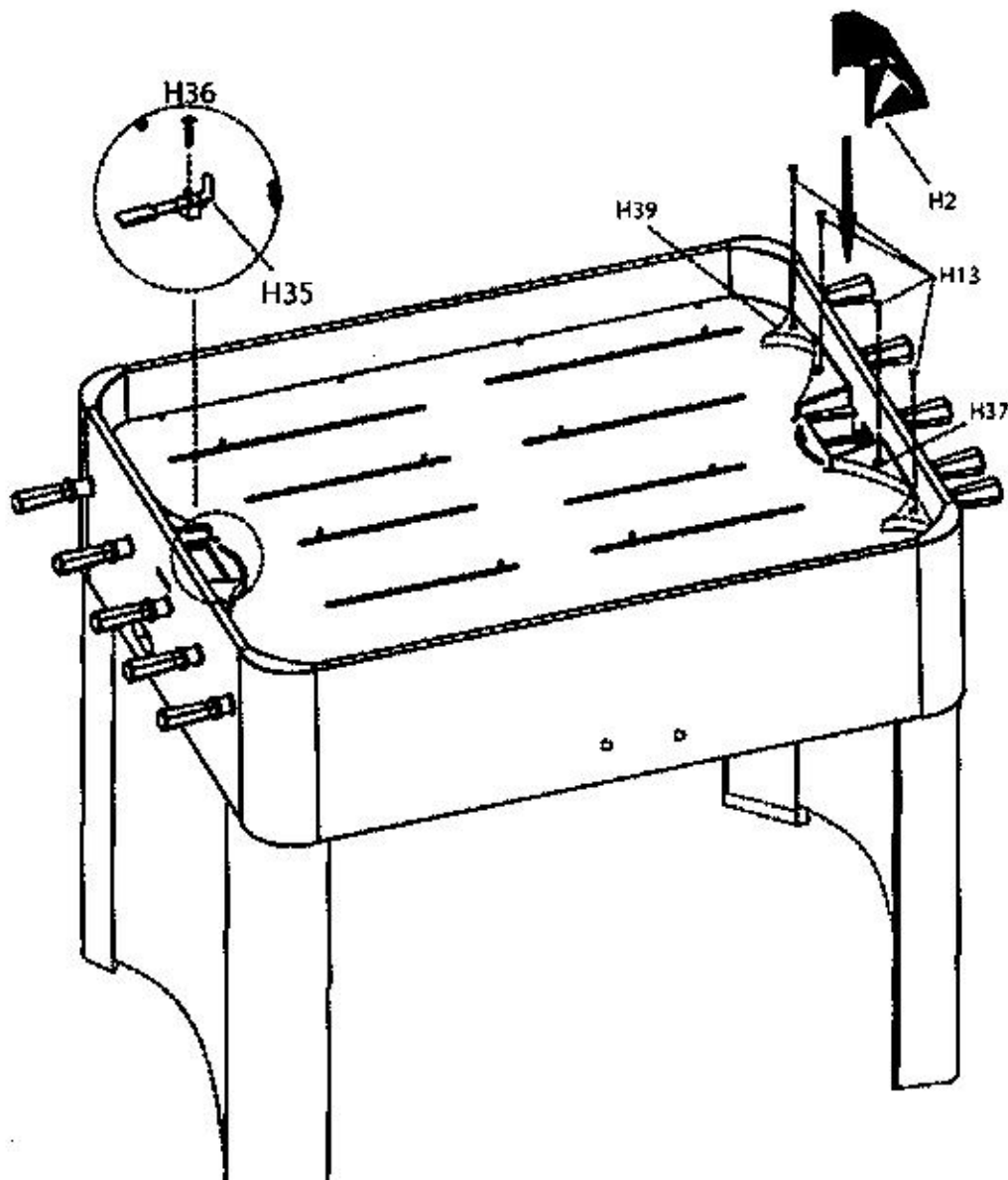
Step 7

Attach the legs(H9) to the table using the bolts(H14) and flat washers(H15) as shown in the diagram. Attach the leg panels(H10) to the legs using the 1/2" round head screws(H36). Slide the hockey rod bushings(H19) and then the handles(H18) onto the ends of the rods.



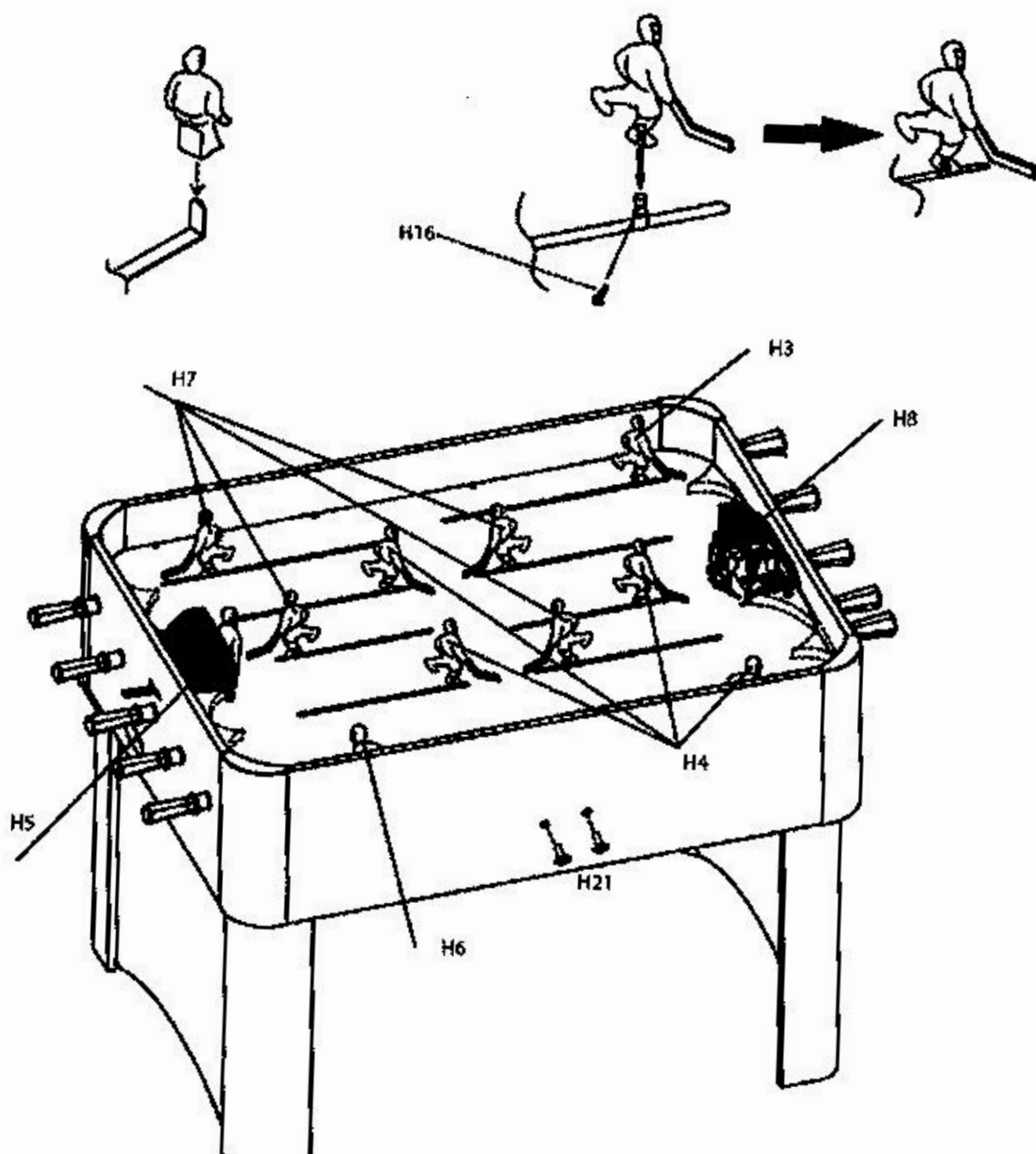
Step 8

Carefully flip the table over and slide the goalie iron bar(H35) through the hole on the short side panel,screw the goalie bar into the wooden block on the short side panel using the 1/2" round head screws(H36). Affix the hockey goals(H2) in the correct places.Secure the blocks(H39) and the triangle blocks(H37) to the playing surface by inserting the 3/4" round head screws(H13) into the appropriate holes.



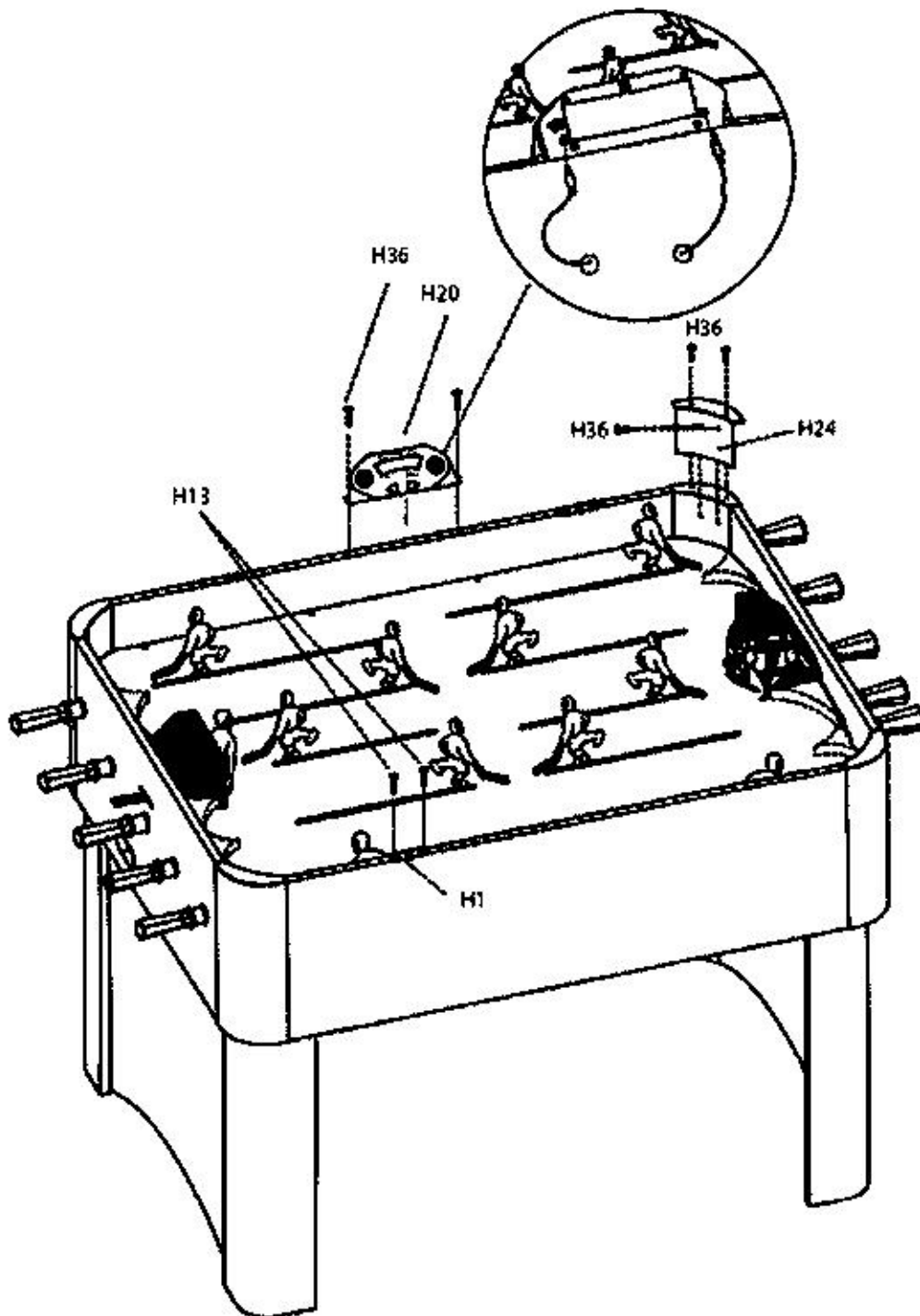
Step 9

Attach the players(H3-H8) to the rods using the diagram as a guide.



Step 10

Attach the hockey corners(H24) to the playing surface using the 1/2" round head screws(H36). Attach the electronic scorer(H20) to the side of the table with the 1/2" round head screws(H36) in the correct position, using the diagram as a guide. Connect the sensors to the electronic scorer. Affix the manual scorer(H1) on the long side panel, using the 3/4" phillips head screws(H13) as shown.



PARTS ORDER FORM

If for some reason you are missing any assembly parts for your Halex game table, please call the Regent Sports Customer Service line at (877) 516-9707 (toll free) between the hours of 10:00am and 5:00pm EST or go online at www.regent-halex.com for parts ordering. Please refer to the REGENT SPORTS LIMITED WARRANTY concerning missing and defective parts.

Parts also may be ordered by filling out the form below. Please fill in all the information and return to:

REGENT SPORTS CORP.
45 RANICK ROAD
HAUPPAUGE, NEW YORK, 11788
ATTN: CUSTOMER SERVICE

REGENT SPORTS CORP. requires that all orders for replacement parts must be paid by check, money order, VISA, or MC. Cash is not accepted. Please make all checks or money orders payable to REGENT SPORTS CORP. Please note all prices include shipping and handling.

Name of Purchaser: _____
Address: _____
City: _____
State: _____ Zip Code: _____
Phone: _____

PART #	DESCRIPTION	QUANTITY	PRICE	TOTAL COST
193-63550-1	Manual Scorer		\$5.00	
193-63550-2	Hockey goal		\$7.50	
193-63550-3	Short stick red player		\$5.00	
193-63550-4	Long stick red player		\$5.00	
193-63550-5	Red goalie		\$5.00	
193-63550-6	Short stick blue player		\$5.00	
193-63550-7	Long stick blue player		\$5.00	
193-63550-8	Blue goalie		\$5.00	
193-63550-9	Leg		\$10.00	
193-63550-10	Leg Panel		\$7.50	
193-63550-11	Hockey puck		\$1.00	
193-63550-13	3/4" Phillips head screw		\$1.00	
193-63550-14	Bolt		\$1.00	
193-63550-15	Flat washer		\$1.00	
193-63550-16	Round head screw		\$1.00	
193-63550-17	1 1/2 Phillips head screw		\$1.00	
193-63550-18	Hockey rod grip		\$5.00	
193-63550-19	Hockey rod bushing		\$2.50	
193-63550-20	Electronic scorer		\$15.00	
193-63550-21	Plastic insert		\$1.00	
193-63550-22	Short side panel		\$2.50	
193-63550-23	Large Hockey corner		\$5.00	
193-63550-24	Hockey corner		\$5.00	
193-63550-25	Puck catcher		\$5.00	
193-63550-26	Long side panel		\$15.00	
193-63550-27	Bottom panel		\$15.00	
193-63550-28	Rod support panel		\$3.00	
193-63550-29	Side support		\$2.00	
193-63550-30	End support		\$2.00	
193-63550-31	Hockey gear		\$15.00	
193-63550-32	Hockey rod		\$2.50	
193-63550-33	Short Hockey rod		\$2.50	

193-63550-34	Medium Hockey rod		\$2.50	
193-63550-35	Goalie iron bar		\$3.00	
193-63550-36	1/2" Round head screw		\$1.00	
193-63550-37	Triangle Block		\$5.00	
193-63550-38	Top panel		\$10.00	
193-63550-39	Block		\$5.00	
193-63550-40	1" Phillips head screw		\$1.00	
193-63550-41	Wooden blocks		\$3.00	

Rod Hockey

Rules of Play

The Object of the Game

The object of Rod Hockey is to be the first player to score 10 goals against the opposing player.

Beginning the Game

Matches begin with the puck placed in the center of the rink, the 2 center-forwards being on their own side. Face off is made by releasing the puck in the center of the middle circle, the 2 center-forwards being in the position above mentioned. Before releasing the puck, be sure opponent is ready.

During Play

Players attempt to pass the puck to their own players, and utilizing the rods, try to score a goal. If the puck becomes stuck on a part of the table that cannot be reached by a hockey player, the puck needs to be picked up and placed in the center for a new face-off. Each player controls his/her own offense and defense during play. The goalie can be controlled for lateral movement to block shots on goal.

Scoring

A goal is scored when the puck enters and drops inside the opponent's goal.

A face-off is required to after each goal is scored.

Winning

The first player to score 10 points is declared the winner.

