

Halex

Halex

Halex

Halex

Halex

Halex

Halex

Halex

Games

Assembly Instructions

Halex

Halex

Halex

Halex

Halex

Halex

Halex

Halex

Halex

Halex

Halex

Halex

Halex

Halex

Halex

Halex

Halex

Halex

Halex

Halex

Halex

Halex

Halex

Halex

Halex

60642

Halex

TM

LIMITED 90 DAY WARRANTY

This Halex product is warranted to be free from defects in workmanship or materials at the time of purchase for a period of 90 (ninety) days.

Should any evidence of defects appear within the limited warranty period after the date of purchase, Regent Sports will either send replacement parts or advise of another course of action. A list of replaceable parts can be found on the parts order form page of this manual. Parts not listed on this order form are not replaceable. Table tops, playing surfaces, and main frames are not replaceable. This warranty covers normal consumer use and does not cover failures, which result from alterations, accidents, misuse, abuse, or neglect.

For prompt warranty service and special offers, please register your Halex product by visiting our website at: www.regent-halex.com and enter the following unique registration number followed by the item number of your table found on the cover of this manual: 1ZAK7 _____. You must register your product within 30 days of purchase to be eligible for warranty service. Please make sure to visit our website to order additional parts not covered under the warranty, as well as on-line instruction manuals and new product information.

A purchase receipt or other proof of date of purchase will be required before warranty service is performed. Requests for warranty service can be provided by e-mailing the customer service department at cstables@regent-halex.com or by calling customer service at:

877-516-9707 (Toll Free)

10:30 AM to 6:30 PM, EST. (Dec. through Feb.)

10:30 AM to 5:00 PM, EST. (March through Nov.)

Or send request in writing to:

Regent Sports Corporation
45 Ranick Road
Hauppauge, NY 11788
Attn: Halex Customer Service


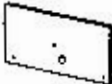
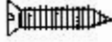






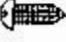

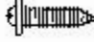






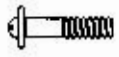


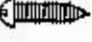






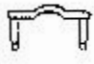


This warranty gives you specific legal rights and you may have other rights that vary from state to state.

BOCCERBALL® is a new game that offers good "old fashioned" fun and excitement for everyone. Players compete one-on-one in this fast-paced game of skill and strategy. Opponents sit at opposite ends of the game and drop metal marbles down chutes. Play continues until one player hits the soccer ball into a goal. First player to score 5 goals wins.

The Fast and Furious Marble Soccer Game



Parts List Boccerball Pro

<p>#1(192-60642-1)</p>  <p>Side panel 2 pieces</p>	<p>#2(192-60642-2)</p>  <p>End panel 2 pieces</p>	<p>#3(192-60642-3)</p>  <p>3.5X33mm screw 22 pieces</p>	<p>#4(192-60642-4)</p>  <p>End support board 2 pieces</p>
<p>#5(192-60642-5)</p>  <p>Support rod 1 piece</p>	<p>#6(192-60642-6)</p>  <p>Support rod nut 2 pieces</p>	<p>#7(192-60642-7)</p>  <p>Playing field 1 piece</p>	<p>#8(192-60642-8)</p>  <p>Ball entry rail 2 pieces</p>
<p>#9(192-60642-9)</p>  <p>Ramp 2 pieces</p>	<p>#10(192-60642-10)</p>  <p>Plastic screw 8 pieces</p>	<p>#11(192-60642-11)</p>  <p>Ball collector 2 pieces</p>	<p>#12(192-60642-12)</p>  <p>3.5X10.5mm screw 18 pieces</p>
<p>#13(192-60642-13)</p>  <p>Tube 2 pieces</p>	<p>#14(192-60642-14)</p>  <p>Leg 4 pieces</p>	<p>#15(192-60642-15)</p>  <p>Leg panel 4 pieces</p>	<p>#16(192-60642-16)</p>  <p>5X32mm screw 8 pieces</p>
<p>#17(192-60642-17)</p>  <p>Leg bolt 8 pieces</p>	<p>#18(192-60642-18)</p>  <p>Flat washer 16 pieces</p>	<p>#19(192-60642-19)</p>  <p>4X50mm screw 4 pieces</p>	<p>#20(192-60642-20)</p>  <p>Goalpost nut 4 pieces</p>
<p>#21(192-60642-21)</p>  <p>Ball return tray 2 pieces</p>	<p>#22(192-60642-22)</p>  <p>3.5X14mm screw 12 pieces</p>	<p>#23(192-60642-23)</p>  <p>Foam insert 4pieces</p>	<p>#24(192-60642-24)</p>  <p>Goal rail 4 pieces</p>
<p>#25(192-60642-25)</p>  <p>Soccer ball 2 pieces</p>	<p>#26(192-60642-26)</p>  <p>Steel marble 36 pieces</p>	<p>#27(192-60642-27)</p>  <p>Slide scorer 2 pieces</p>	<p>#28(192-60642-28)</p>  <p>Leg leveler 4 pieces</p>
<p>#29(192-60642-29)</p>  <p>Goalpost 2 pieces</p>	<p>#30(192-60642-30)</p>  <p>Leg bolt nut 8pieces</p>	<p>#31(192-60642-31)</p>  <p>Tube connect 2piece</p>	

Assembly Instructions

Step 1:

Assemble both side panels (#1) to one end panel (#2) using the 33mm screws (#3).

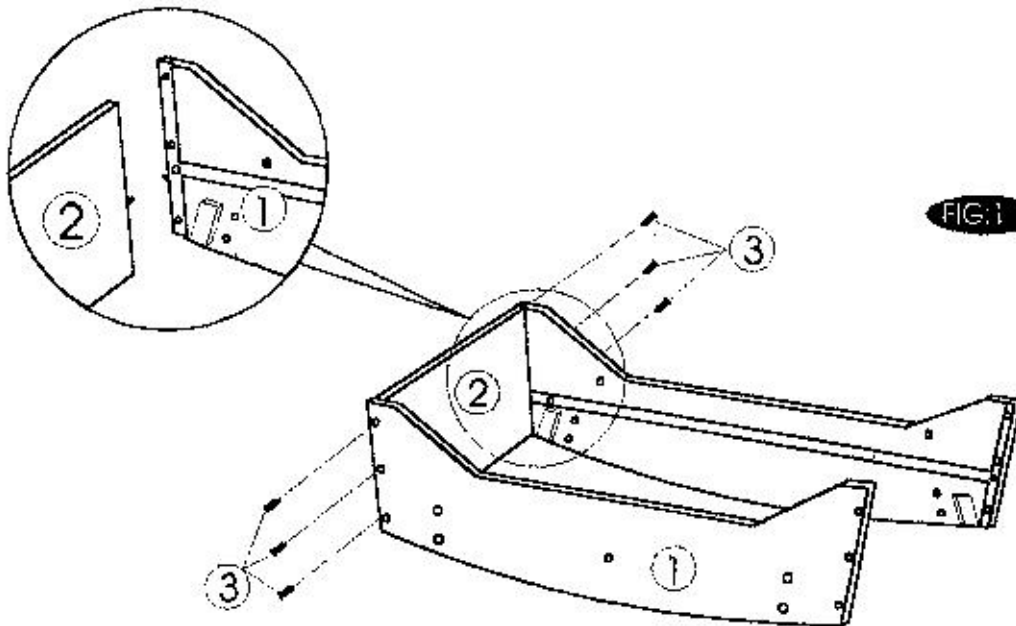


FIG.1

Step 2:

Slide the end support board (#4) into the side panel grooves as shown. Be sure the larger edge is away from the end panel with the lip facing up (as shown). Secure using the 33mm screws (#3) through the side panels.

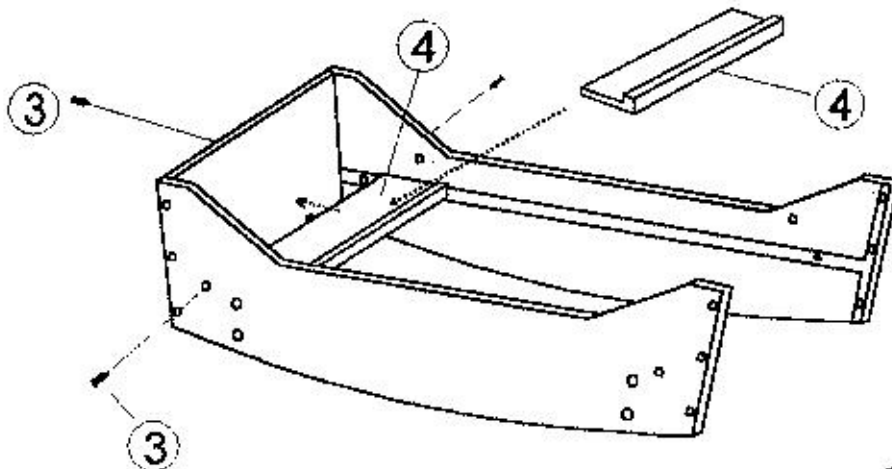
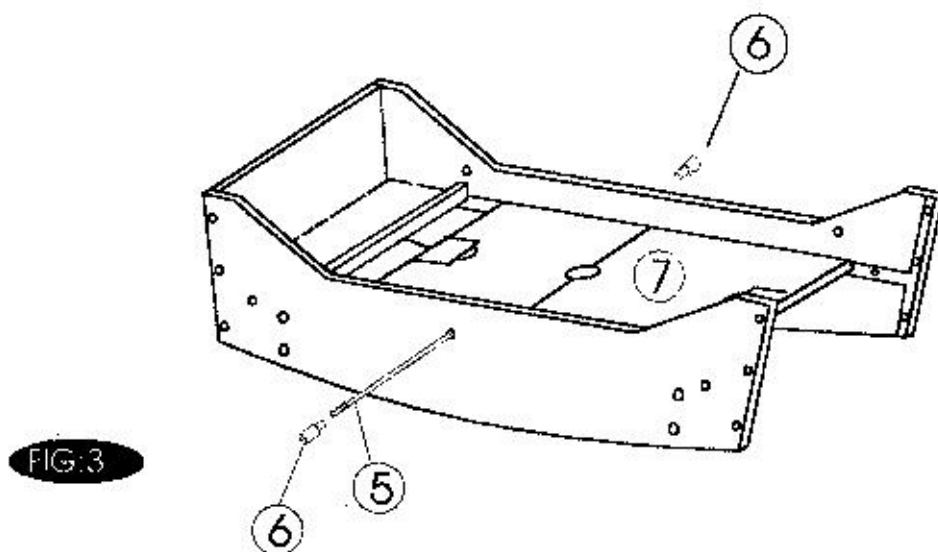


FIG.2

Step 3:

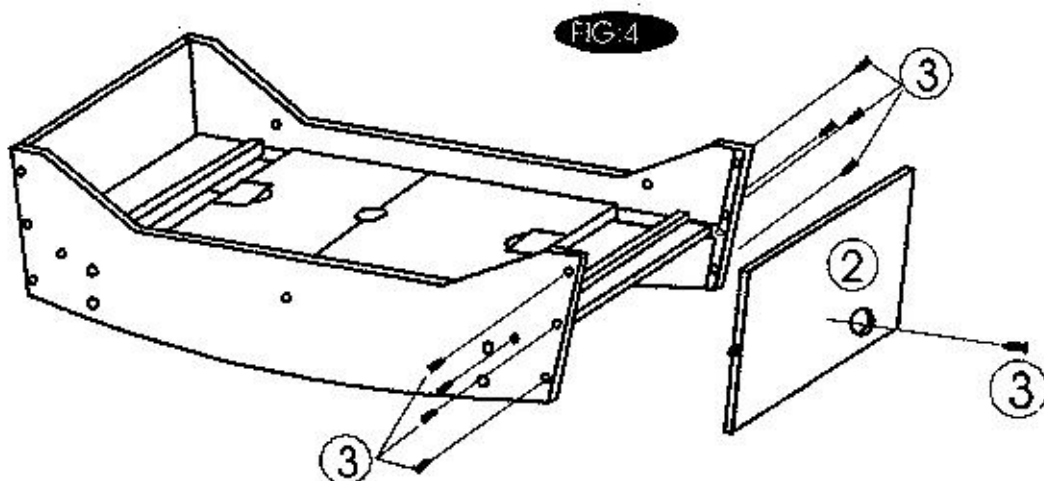
Slide the playing surface (#7) into the side panel grooves. Once the playing surface is centered, insert the support rod (#5) through the holes in each side panel and tighten using the support rod nuts (#6).



Step 4:

Slide the remaining end support board (#4) into place following the same procedure as in step 2.

Then attach the remaining end panel (#2) using the 33mm screws (#3).

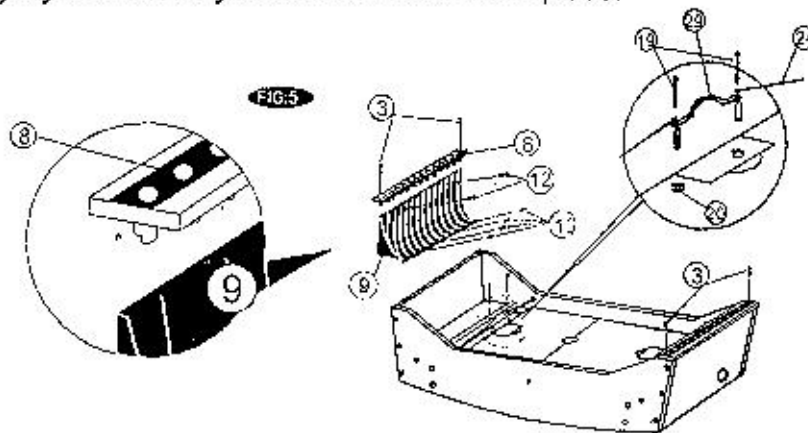


Step 5:

Slide the ramps (#9) into place and attach using the plastic screws (#10). If you are unable to fully insert plastic screws by pressing into place, lightly tap with a small hammer until flush.

Affix the ball entry rail (#8) to the top of the ramp. Tighten using the 33mm screws (#3).

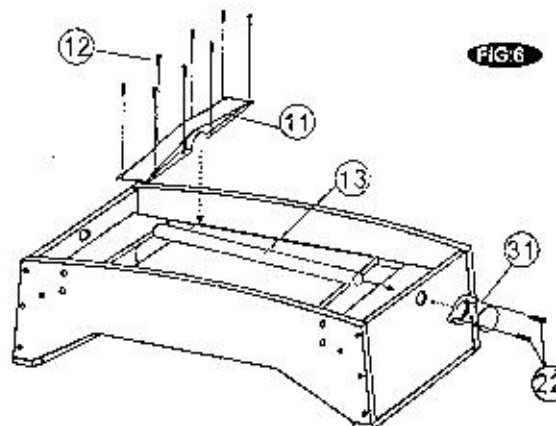
Align the end of the goal rails (#24) with the loop to the ends of the goalposts (#29). Attach to the playing surface using the 50mm bolts (#19) and the Goalpost nuts (#20). There are small holes in the side panels for the opposite ends of the goal rails to fit in. They are slightly flexible so you can bend them into place.



Step 6:

Flip the table over. Center the ball collector (#11) over the gap between the playing surface and end support board (#4) and tighten using the 10.5mm screws (#12). Be sure edge with half circle faces opposite end of the table as shown.

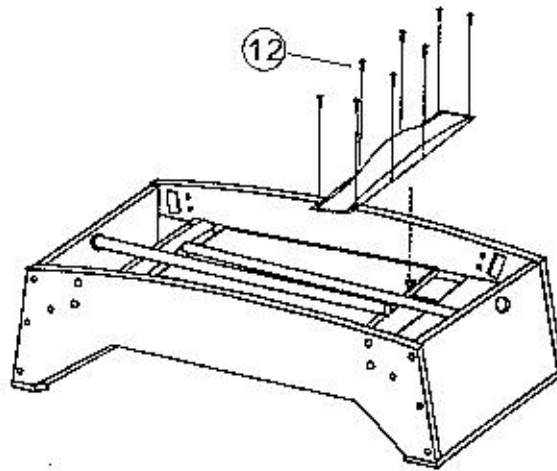
Slide the tube (#13) into the opening in the ball collector, then through the hole in the opposite end panel. Attach the tube connector (#31) as shown using the 14mm screws (#22).



Step 7:

Repeat the same procedures from Step 6 for the other end of the table as shown.

FIG:7

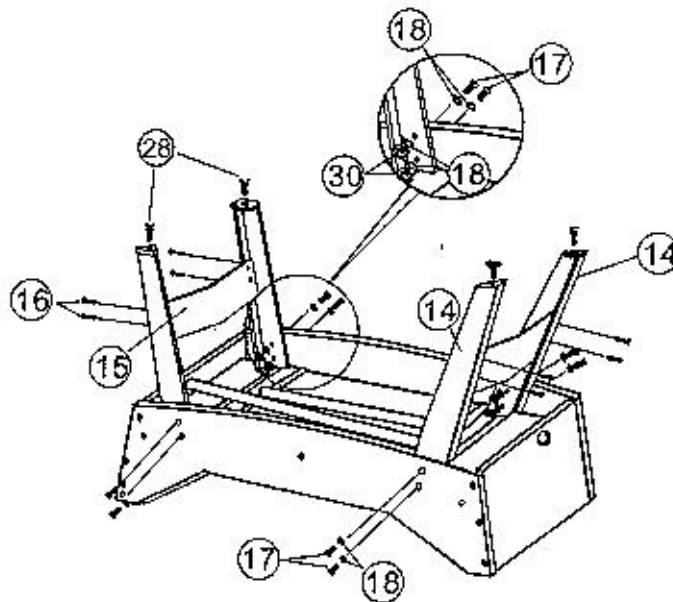


Step 8:

Attach the legs (#14) using the leg bolts (#17) and leg washers (#18). **Make sure legs are resting against leg blocks – tighten securely.**

Screw the leg levelers (#28) into the bottom of each leg. Once the legs are attached, affix the leg panels (#15) using the 32mm screws (#16).

FIG:8



Step 9:

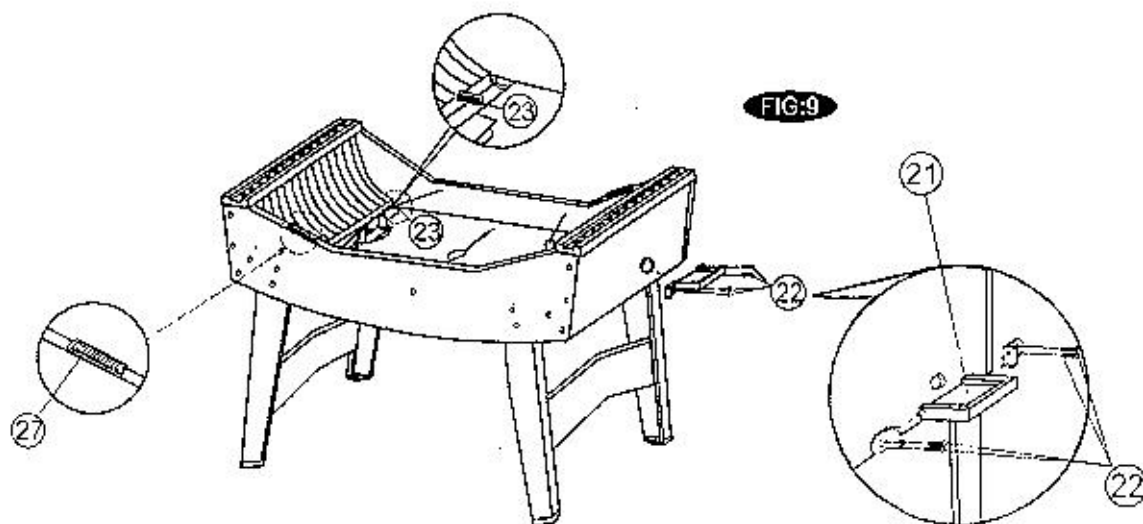
Flip the table back over.

Attach the ball return trays (#21) to the end panels using the 14mm screws (#22).

Attach the slide scorers (#27) to the top of each side panel by sliding them into the pre-drilled holes as shown.

Push foam inserts (#23) into slots on the sides of each ball collector tray.

Before playing, be sure to level the playing surface by adjusting the leg levelers on each leg. A level playing surface is important to proper game play.



To Play:

1. Players sit at opposite ends. Make sure the marbles are evenly divided. The marbles usually stay evenly divided, however, it is BOCCERBALL courtesy to even up the marbles between points if one side has noticeably more marbles than the other.
2. Place soccer ball in center circle.
3. One player shouts "GO" and you both begin dropping marbles down the chutes. Continue dropping marbles until a goal is scored. The soccer ball returns to the ball tray of the scoring player. Place soccer ball in the center circle to begin play for the next point.
4. Players use the scorekeepers to tally goals. First player to score 5 goals wins.

Boccerball Rules:

1. On the start of each point, (face-off) a player is allowed to drop up to 6 marbles.
2. After the face-off, a player is allowed to drop up to 2 marbles at a time (one from each hand). Players may hold as many as marbles as they want in each hand.
3. Marble dumping or the rapid fire (dropping more than one marble from each hand at one time) is not allowed. If a player marble dumps, the opponent automatically gets a point. Clear the field of marbles and have a face-off to begin play for the next point.
4. A score made on a face-off is called an "Ace." A player cannot win the final point with an ace. If on the final point a player scores an ace, the point must be replayed.
5. If the soccer ball is hit off of the playing field, the ball should be placed in the center of the circle, and play resumes with a face-off. DO NOT clear the field of marbles for this face-off. The field should remain untouched until a goal is scored.

PARTS ORDER FORM

If for some reason you are missing any assembly parts for your Hallex game table, please call the Regent Sports Customer Service line at (877) 516-9707 (toll free) between the hours of 10:30am and 6:30pm EST or go online at www.regent-hallex.com for parts ordering. Please refer to the REGENT SPORTS LIMITED WARRANTY concerning missing and defective parts

Parts also may be ordered by filling out the form below. Please fill in all the information and return to:

REGENT SPORTS CORP.
45 RANICK ROAD
HAUPPAUGE, NEW YORK, 11788
ATTN: CUSTOMER SERVICE

REGENT SPORTS CORP. requires that all orders for replacement parts must be paid by check, money order, VISA, or MC. Cash is not accepted. Please make all checks or money orders payable to REGENT SPORTS CORP. Please note all prices include shipping and handling.

Name of Purchaser: _____
Address: _____
City: _____
State: _____ Zip Code: _____
Phone: _____

PART #	DESCRIPTION	QUANTITY	PRICE	TOTAL COST
192-60642-1	Side panel		\$15.00	
192-60642-2	End panel		\$12.50	
192-60642-3	33mm screw		\$1.00	
192-60642-4	End support board		\$7.50	
192-60642-5	Support rod		\$7.50	
192-60642-6	Support rod nut		\$1.00	
192-60642-7	Playing field		\$20.00	
192-60642-8	Ball entry rail		\$7.50	
192-60642-9	Ramp		\$10.00	
192-60642-10	Plastic screw		\$1.00	
192-60642-11	Ball collector		\$7.50	
192-60642-12	10.5mm screw		\$1.00	
192-60642-13	Tube		\$7.50	
192-60642-14	Leg		\$17.50	
192-60642-15	Leg panel		\$12.00	
192-60642-16	32mm screw		\$1.00	
192-60642-17	Leg bolt		\$1.00	
192-60642-18	Flat washer		\$1.00	
192-60642-19	50mm screw		\$1.00	
192-60642-20	Goalpost nut		\$1.00	
192-60642-21	Ball return tray		\$7.50	
192-60642-22	14mm screw		\$1.00	
192-60642-23	Foam insert		\$1.00	
192-60642-24	Goal rail		\$2.00	
192-60642-25	Soccer ball		\$2.50	
192-60642-26	Steel marble		\$2.00	
192-60642-27	Slide scorer		\$2.00	
192-60642-28	Leg leveler		\$5.00	
192-60642-29	Goalpost		\$5.00	
192-60642-30	Leg bolt nut		\$1.00	
192-60642-31	Tube connector		\$3.00	

Look for other fine Halex game tables
and equipment at a retailer near you



Also, be sure to check out our web site at:

www.regent-halex.com

• Parts ordering • Owners manuals • Product information

© 2002

Regent Sports Corporation
Hauppauge, NY 11788

Patent No. 5,354,058

Patent rights used under license from Let's Play, Inc, Delaware, OH.
Boccerball and Boccerball logo are trademarks of Let's Play, Inc. © 2001
Used under license. All rights reserved.