

REGENT® ASSEMBLY INSTRUCTIONS

Item
012-73997

1. POLE ASSEMBLY

Assemble poles as shown in Figure 1.

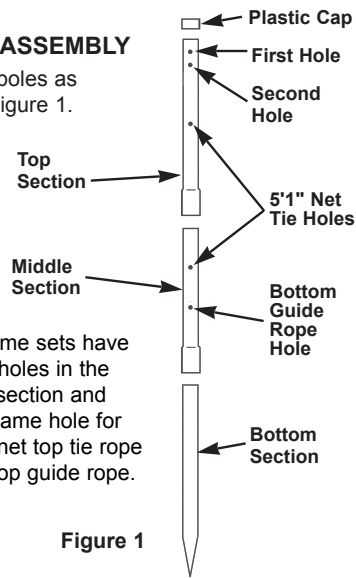


Figure 1

Note: Some sets have only two holes in the top pole section and use the same hole for both the net top tie rope and the top guide rope.

2. NET ATTACHMENT

Insert ropes on top and bottom corners of net through second and third holes of top pole and secure with knot, see Figure 2.

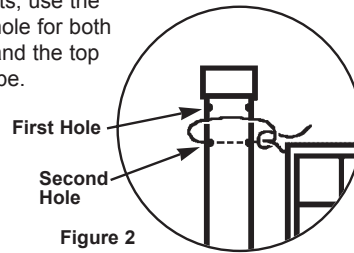
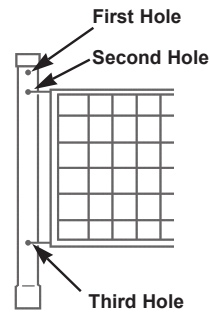


Figure 2

Note: Some sets are manufactured with only two holes in the top pole sections. For these sets, use the top net hole for both the net and the top guide rope.

3. TOP GUIDE ROPE ATTACHMENT

Insert loop (knotted end) of long guide rope, with pre-attached stakes and tension clips, through first hole of top pole. Pull rope through hole and slip loop over top of pole as shown in Figure 3, Detail A. Pull rope tightly so that loop is snug around pole, see Detail B.

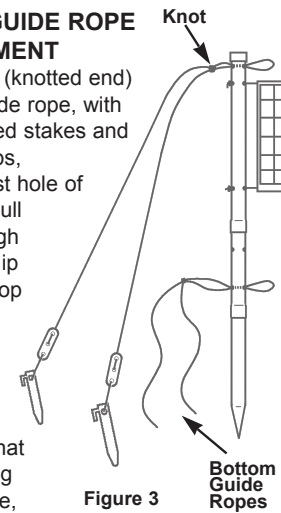
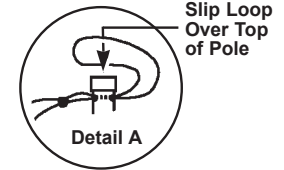
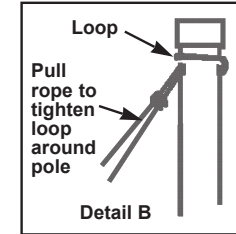


Figure 3



Detail A



Detail B

Figure 3
Bottom Guide Ropes

TIP: Squeeze the end of the guide rope loop tightly between your fingers before inserting the rope into the hole in the pole. This will make it easier to push the rope through the holes.

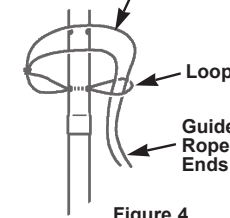


Figure 4

4. BOTTOM GUIDE ROPE ATTACHMENT

Insert loop (knotted end) of short guide rope through second hole in middle pole. Pull rope through pole and spread loop open to allow loose ends of guide rope to be pulled through loop, see Figure 4. Pull loose ends tightly until rope is snug around pole.

5. NET SET UP

Stretch assembled net and poles across playing area until net is taught. Press poles firmly into ground. Holding poles in vertical position, press guide rope stakes into ground at 45° angle, 3' to 5' from pole and 3' to 5' apart. See figure 5.

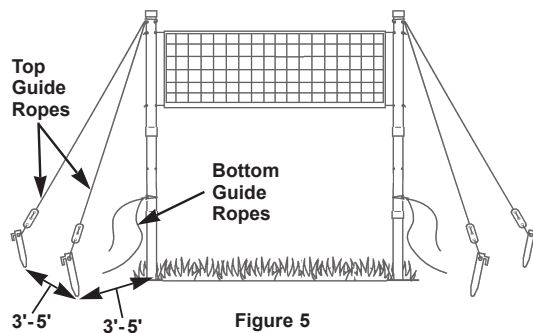


Figure 5

6. BOTTOM GUIDE ROPE SET UP

Insert loose ends of bottom guide ropes through holes in ground stakes which are already set in ground, pull ropes tight and tie knots to secure, see Figure 6

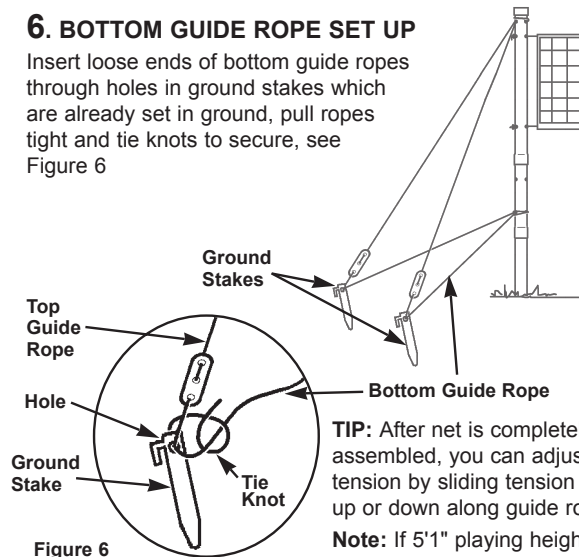


Figure 6

TIP: After net is completely assembled, you can adjust net tension by sliding tension clips up or down along guide ropes.

Note: If 5'1" playing height is desired, move net tie ropes to next lower holes, see Figure 1.

Thank you for purchasing this Regent set. If you have any questions or problems, please call us at 1-516-234-2800 or 1-800-645-5190 or e-mail us at custsvc@regent-halex.com and we will be happy to assist you.