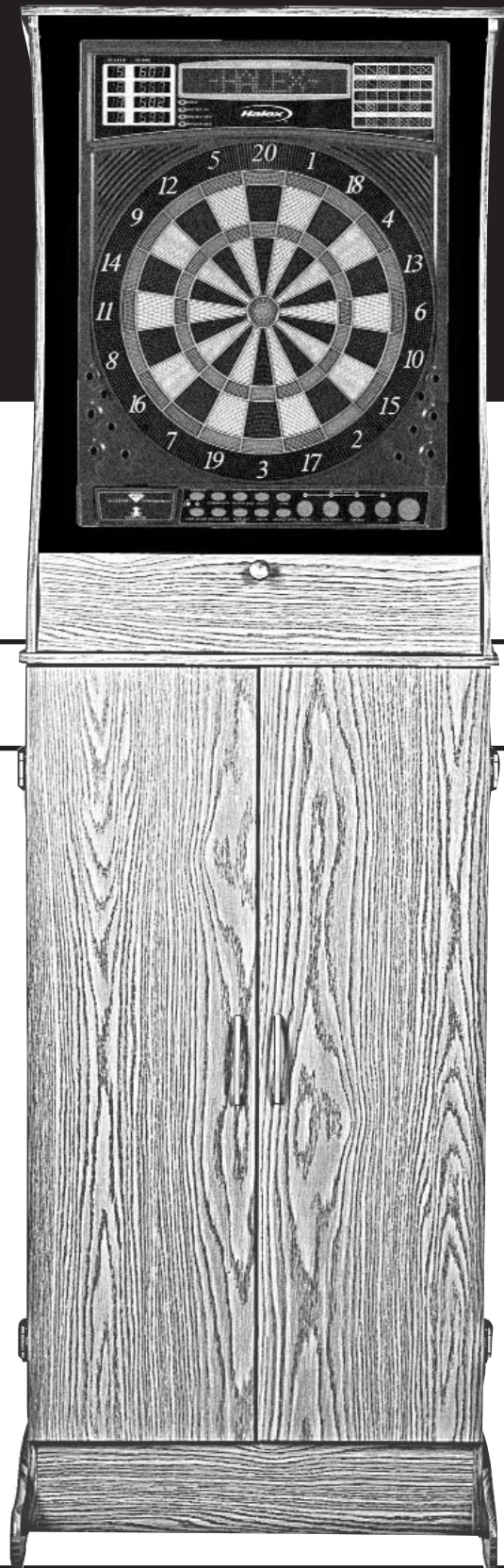


# Electronic Dartboard with Parlor Cabinet



## *Assembly Instructions*



## LIMITED 90 DAY WARRANTY

This Halex product is warranted to be free from defects in workmanship or materials at the time of purchase for a period of 90 (ninety) days.

Should any evidence of defects appear within the limited warranty period after the date of purchase, Regent Sports will either send replacement parts or advise of another course of action. A list of replaceable parts can be found on the parts order form page of this manual. Parts not listed on this order form are not replaceable. This warranty covers normal consumer use and does not cover failures, which result from alterations, accidents, misuse, abuse, or neglect.

For prompt warranty service and special offers, please register your Halex product by visiting our website at: [www.regent-halex.com](http://www.regent-halex.com) and enter the following unique registration number followed by the item number of your dartboard found on the cover of this manual: 1ZAK7 \_\_\_\_\_. You must register your product within 30 days of purchase to be eligible for warranty service. Please make sure to visit our website to order additional parts not covered under the warranty, as well as on-line instruction manuals and new product information.

A purchase receipt or other proof of date of purchase will be required before warranty service is performed. Requests for warranty service can be provided by e-mailing the customer service department at [csdartboards@regent-halex.com](mailto:csdartboards@regent-halex.com) or by calling customer service at:

**877-516-9707 (Toll Free)**

**10:30 AM to 6:30 PM, EST (Dec. through Feb.)**  
**10:30 AM to 5:00 PM, EST (March through Nov.)**

Or send request in writing to:

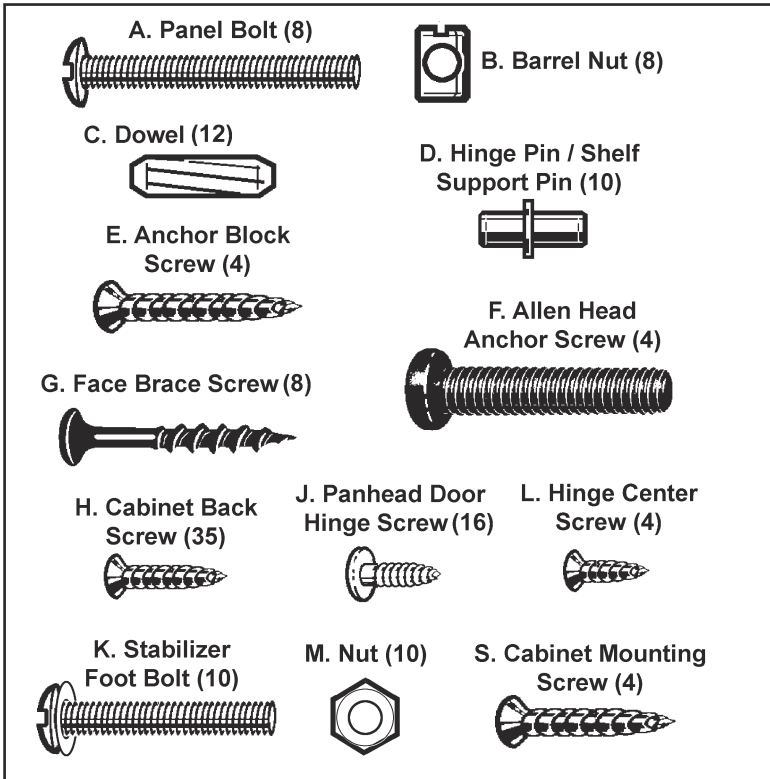
Regent Sports Corporation  
45 Ranick Road  
Hauppauge, NY 11788  
Attn: Halex Customer Service

This warranty gives you specific legal rights and you may have other rights that vary from state to state.

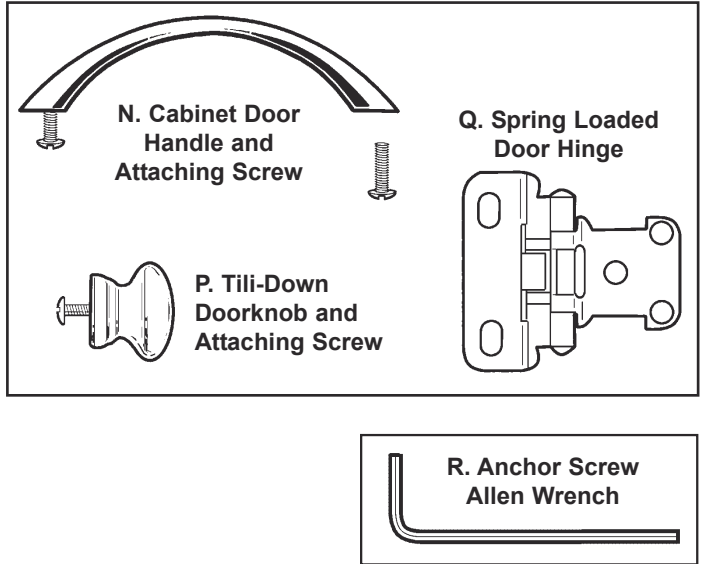
# PARLOR CABINET ASSEMBLY INSTRUCTIONS

Before removing cabinet components from carton, clear an area on the floor at least 9-10 feet long by 6-8 feet wide in the proximity of the location where the cabinet will be used. The assembled cabinet will stand approximately 7 feet tall. If the cleared area is not carpeted, we suggest laying down area rugs or multiple layers of news paper or other cushioning material to prevent the wood grained surfaces from being scratched during assembly. Next remove all panels and hardware from carton and place them near the cleared area for easy access. Additional hardware has been included in a small bag for your convenience.

## Cabinet Fasteners and Pins (shown actual size)

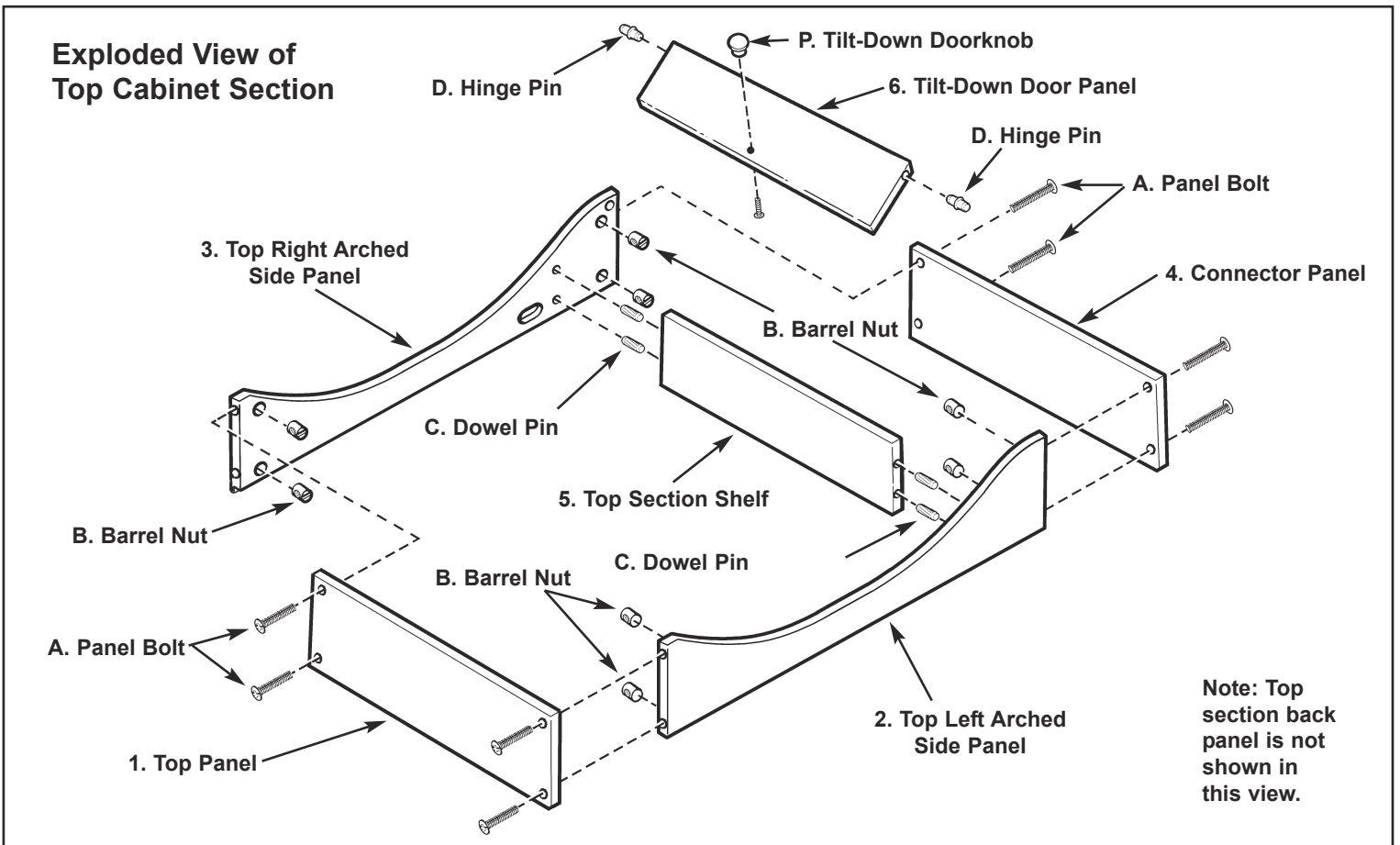


## Cabinet Door Hardware



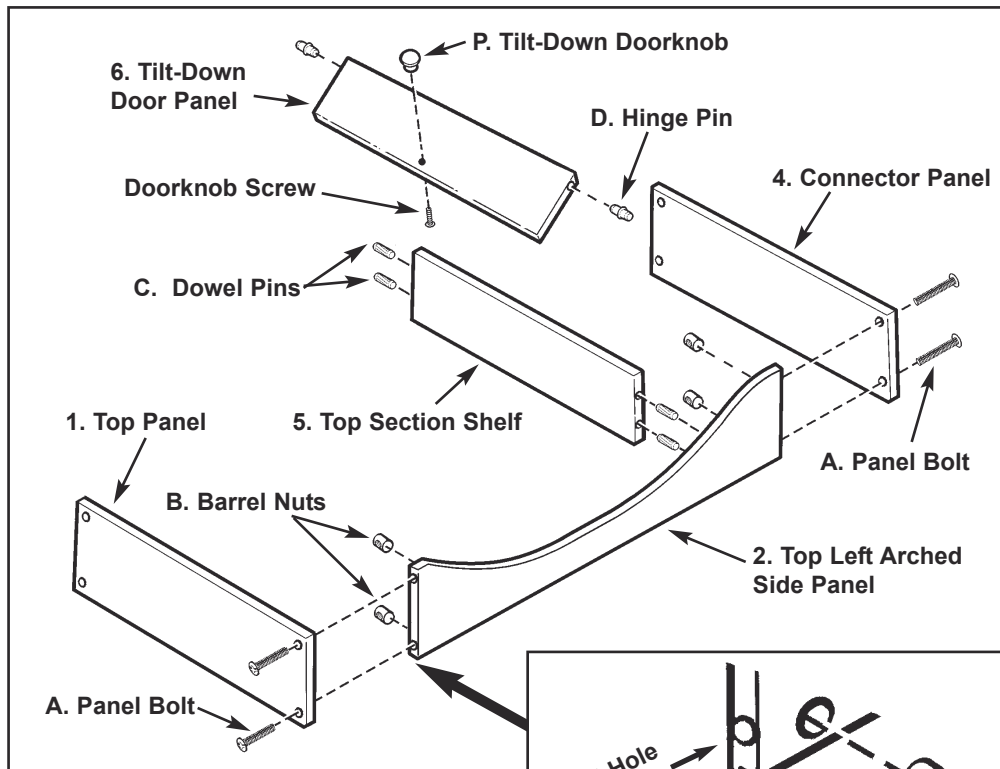
## Assembling The Cabinet

The cabinet is assembled in two sections, starting with the top section and adding the bottom section to it. Each of the following steps should be accomplished in order and just as described to facilitate ease and quickness of assembly.

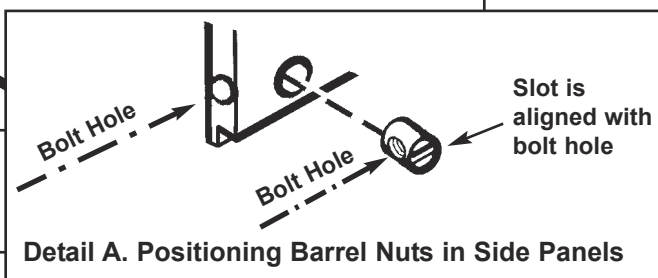


## STEP 1. Top Cabinet Section Assembly.

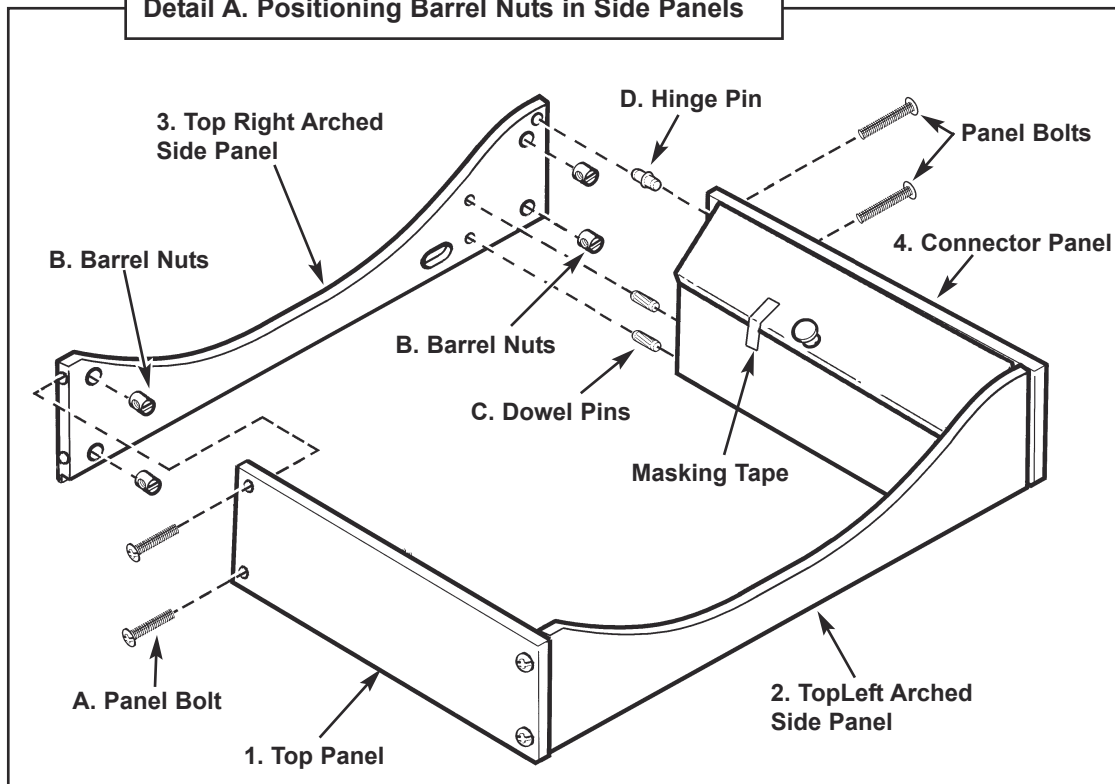
- A.** Place top left arched side panel (2) with its back edge on the floor (curved edge up). Insert 2 barrel nuts (B) into holes at top of panel (1) with slotted ends of nuts out and pointing toward top panel. Slot in barrel nut permits aligning nut with screw, see **Detail A**.
- B.** Place top panel (1) (black side in and unfinished edge down) perpendicularly against side panel (2) as shown. Using 2 panel bolts (A), through top panel (1) and into barrel nuts (B), secure to side panel (2).



- C.** Inset 2 dowel pins (C) into holes in side panel (2) and press shelf (5), with unfinished edge down, onto dowel pins.
- D.** Attach wooden tilt-down doorknob (P) to beveled side of tilt-down door panel (6) with screw provided.
- E.** Press 2 steel hinge pins (D) into holes on side edges of tilt-down door panel (6).
- F.** Press hinge pin (D) on tilt-down door panel (6) into mating hole on bottom front corner of side panel (2). Pivot panel down against shelf (5) and secure temporarily with strip of masking tape, see illustration below.

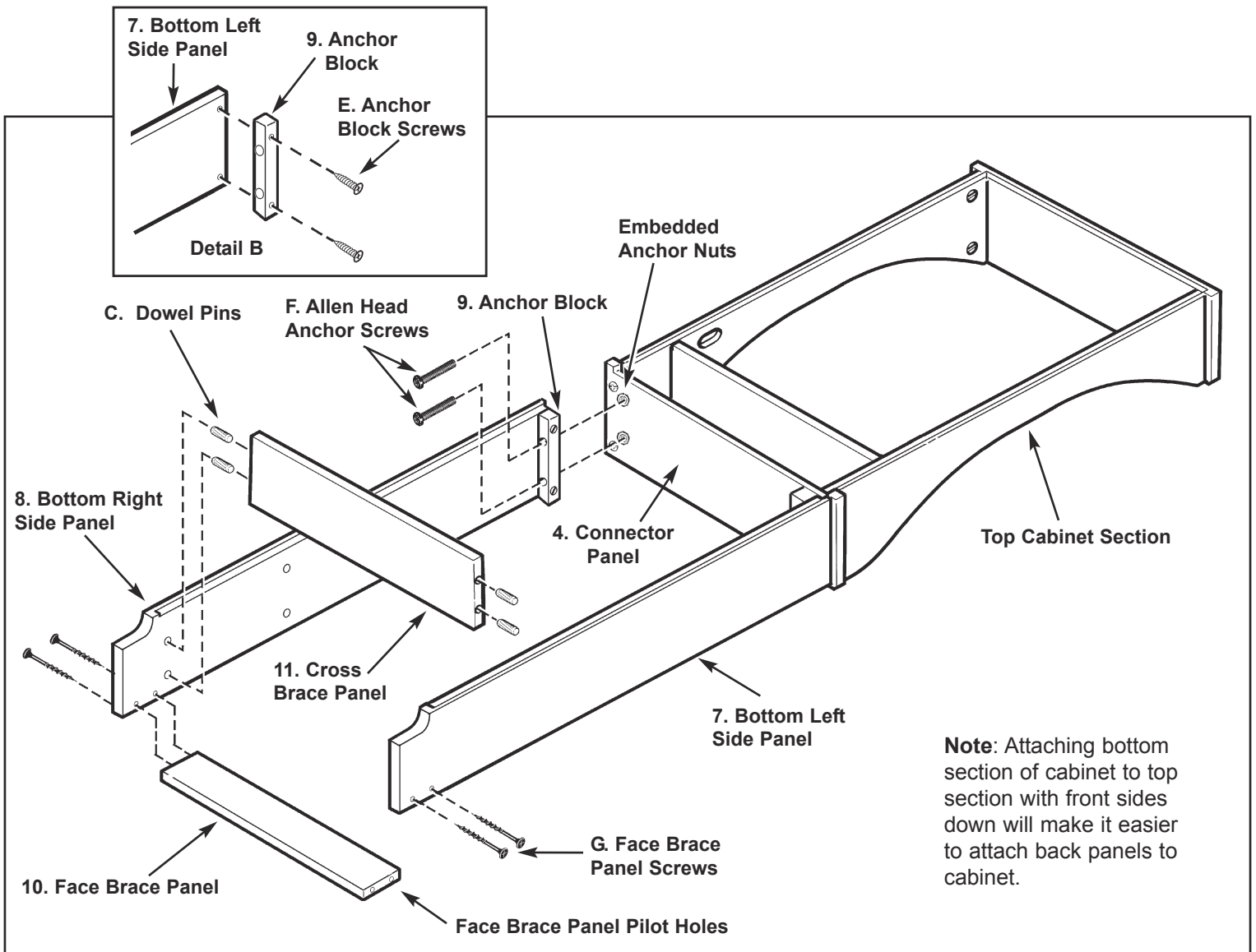


- G.** Insert 4 barrel nuts (B), with slotted ends out, into holes at top and bottom of top right arched side panel (3).
- H.** Position top right arched side panel (3) into top panel (1). Carefully align dowel pins (C) on shelf and steel hinge pin (D) on tilt-down door with mating holes in right side panel and press panels together.
- I.** Secure connector panel (4) to top right arched side panel (3) using 2 panel bolts (A) through connector panel (4) into barrel nuts (B) and tighten securely. Repeat for top panel (A).



## STEP 2. Bottom cabinet section assembly.

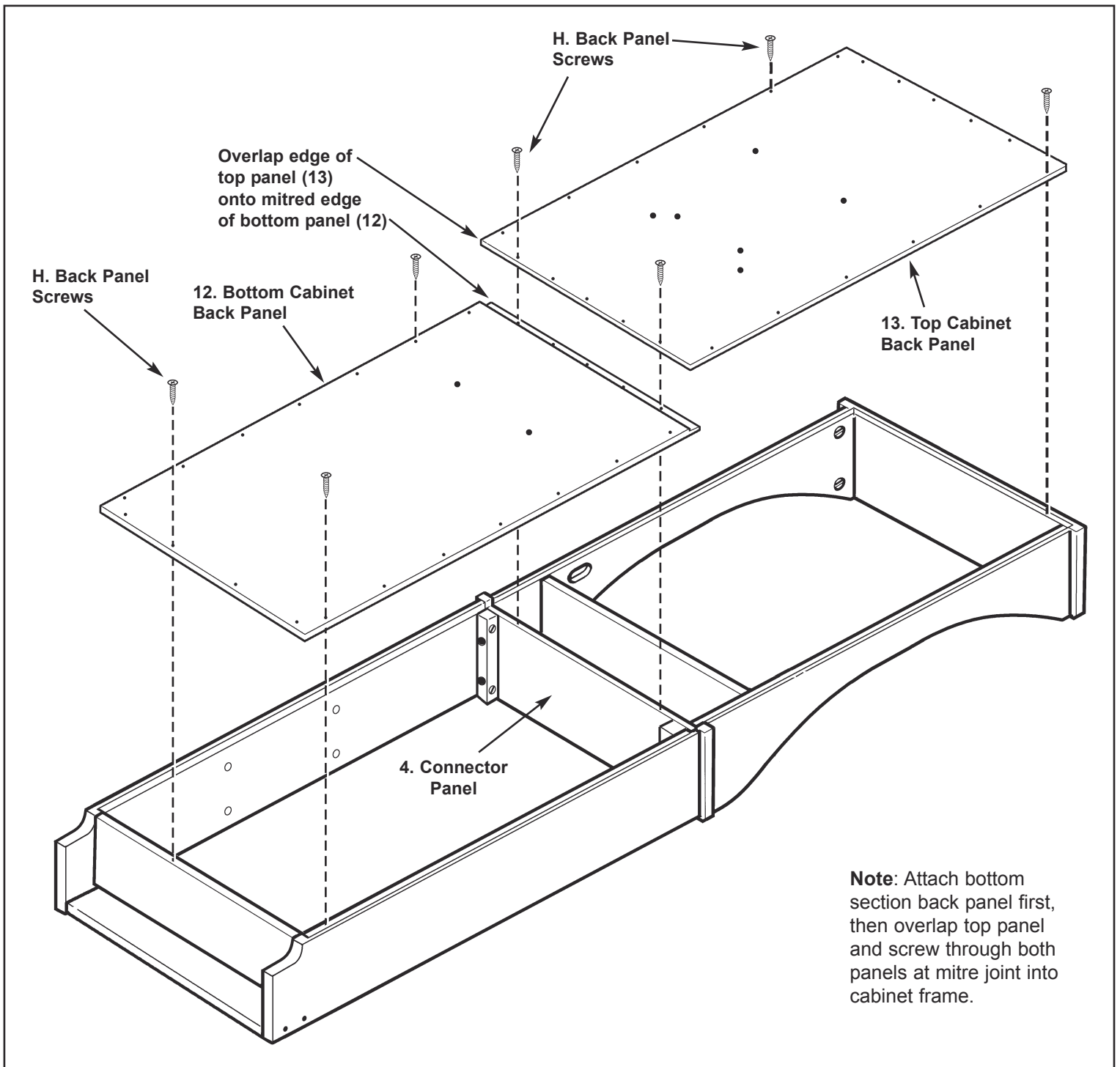
- A. Turn top section over so that back of top section is facing upward.
- B. Attach anchor block (9) to bottom left side panel (7) using 2 anchor block screws (E), see **Detail B**. Repeat for bottom right side panel (8). Be sure that the anchor block is positioned flush to the bottom edge of the side panel that is facing the floor. Use the pre-drilled guide holes to ensure proper alignment.
- C. Place end of left bottom side panel (7), with anchor block (9) attached, against connector panel (4) of top cabinet section. Holes in bottom side panel (7) should be facing inward.
- D. Align anchor block holes with embedded anchor nuts in connector panel (4) on top cabinet section. (Place a few magazines approximately 5/8" thick under bottom end of side panel to help facilitate aligning anchor holes.)
- E. Secure panels tightly with 2 Allen head anchor screws (F) using anchor screw Allen wrench provided. Repeat for right side panel.



- F. Place face brace panel (10) between side panels (7) & (8). The finished side of the face brace should be facing towards the top of the cabinet. Insert 2 dowel pins (C) on the inside of each of the bottom side panels. The inner holes on the bottom of the side panels are to be used for these dowel pins.
- G. Insert 4 face brace screws (G) through the outside holes in the side panels and screw loosely into face brace panel. The two outer holes on the bottom of each side panel (7) & (8) are used for the wood screws.
- H. Insert 4 dowel pins (C) into empty remaining holes in bottom side panels (7) & (8) just above the face brace panel. Press cross brace panel (11) into dowel pins (C).
- I. Press panels together and tighten face brace panel screws (G) securely.

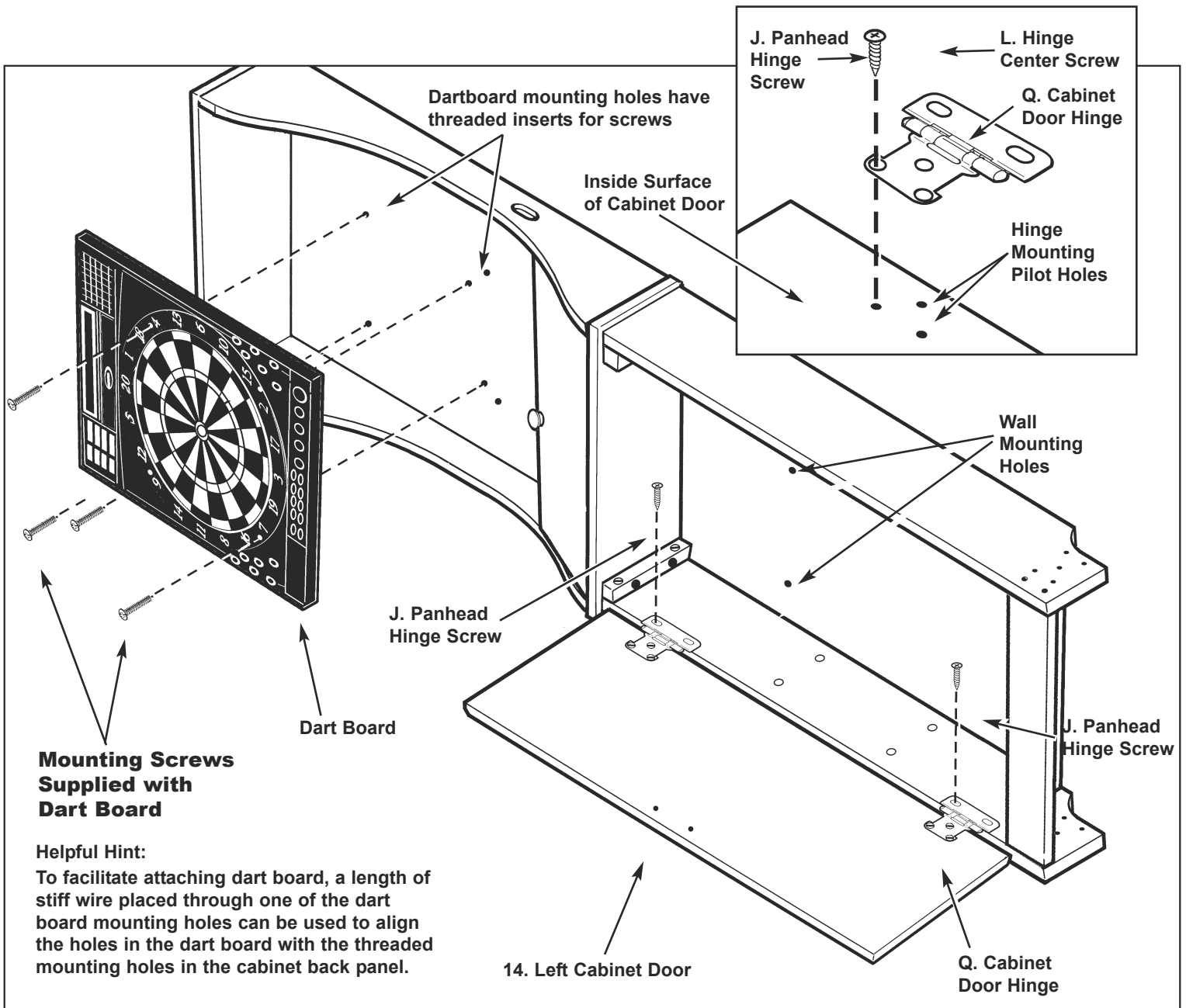
### STEP 3. Attaching Back Panels

- A. Place bottom section back panel (12) onto bottom cabinet section with mitred edge (notched edge) towards top cabinet section and mitre facing up.
- B. Secure panel at both sides and bottom only using flathead cabinet screws (H) provided. Do not attach top end of back panel (12) to connector panel (4) at this time.
- C. Place top section back panel (13) onto top cabinet section with "black" side down and dart board mounting holes closer to bottom cabinet section. Bottom end of top back panel (13) should fit snugly over mitred section of bottom back panel (12). Mating holes in both back panels should line up.
- D. Secure top back panel (13) to top cabinet section and mitred edge of bottom back panel (12) with flathead cabinet back screws (H) provided. Screws should be used completely around both panels.



## STEP 4. Attaching Cabinet Doors and Mounting Dartboard

- A. Turn assembled cabinet onto left side. Place magazines under bottom end of bottom side panel for temporary support.
- B. Open 2 hinges (**Q**) and position over pilot holes in left cabinet door (**14**). Attach hinges using 2 panhead hinge screws (**J**) and 1 flathead hinge center screw (**L**) for each hinge. **Note:** Hinge center screw (**L**) is used in the center hole of each hinge and set flush with hinge surface, allowing hinge to fold flat when door is closed, see detail below. Do not attached door handle (**N**) at this time.
- C. Place left cabinet door (**14**) with hinged side facing up in open position against left side panel (**7**).  
Note: Cabinet doors are symmetrical and can be used for either left or right side.
- D. Position cabinet door hinges over pilot holes in left side panel (**7**) and secure using 1 panhead hinge screw (**J**) in the center of each elongated hinge hole. This will allow for adjustment if necessary when cabinet is standing.
- E. Place cabinet on its right side and repeat **Step 4.D** above for right cabinet door (**14**). Hinges are spring loaded and will keep doors closed.
- F. Place cabinet on its back. Align dartboard mounting holes with back panel holes. Use a flash light to help locate the dartboard mounting holes. The holes in the back panel have threaded inserts for dartboard mounting screws. (The dartboard is supplied with necessary screws to secure it to the cabinet.)
- G. Use 4 screws supplied. Do not over tighten screws to avoid chipping or cracking dart board housing.



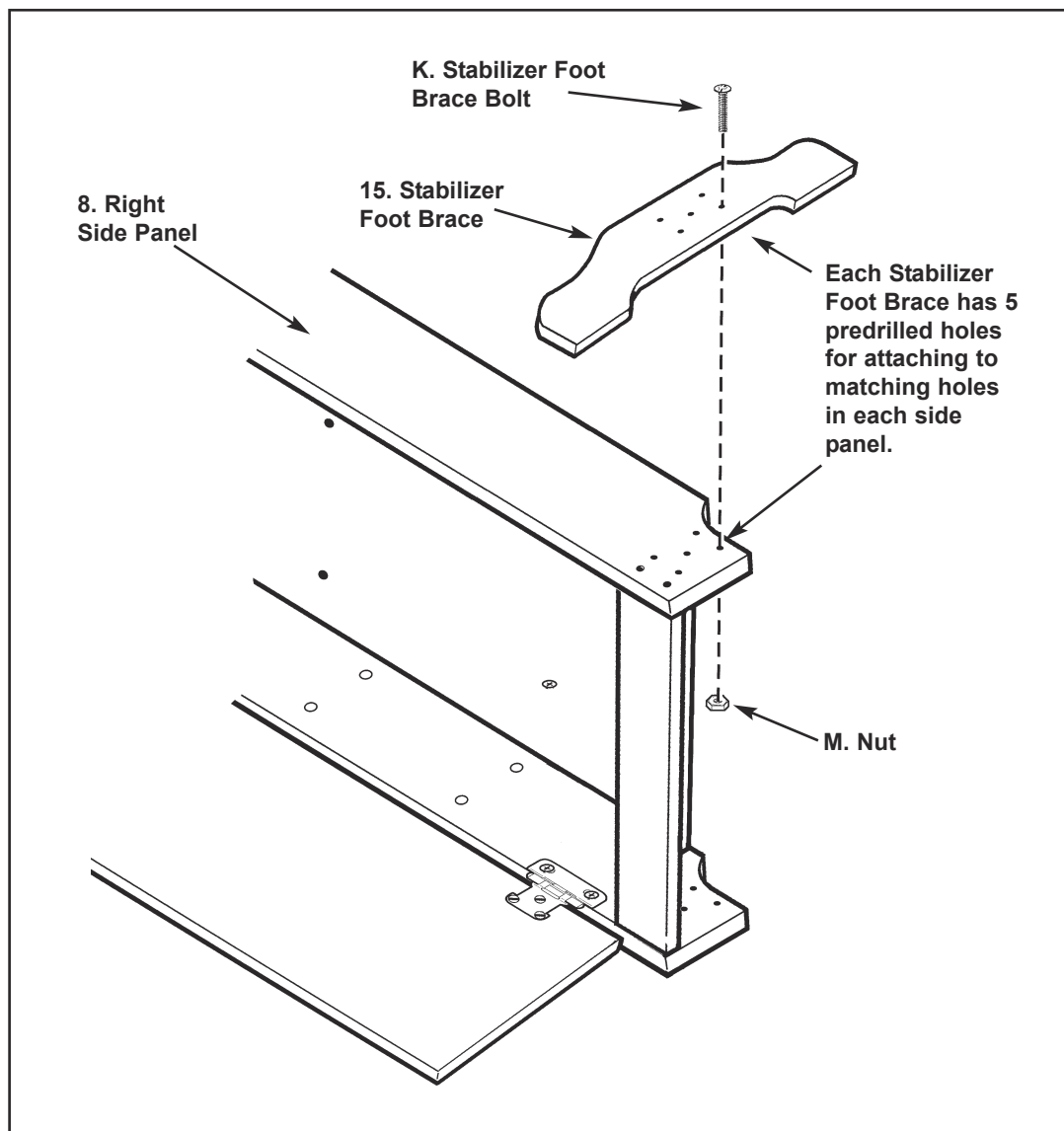
## STEP 5. Attaching Optional Stabilizer Foot Braces

**Note:** Optional stabilizer foot braces must be attached if cabinet is to be used free standing. Do not use stabilizer foot braces if cabinet is to be anchored to a wall. The foot braces extend well beyond the back of the cabinet and will prevent the cabinet from being set flush against the wall.

- A.** Attach optional stabilizer foot brace (15) to right side panel (8), (rounded edges away from side panel), using 5 stabilizer foot bolts (K) and 5 nuts (M).

**Note:** Both stabilizer foot braces (15) are symmetrical and can be attached to either side panel (7) or (8).

- B.** Turn cabinet on opposite side and repeat **Step 5, A** above for the left side panel stabilizer foot brace.



## STEP 6. Attaching Door Handles and Interior Shelves.

A. Stand cabinet upright against wall making sure it does not tip forward. Secure cabinet to wall using wall mounting screws (S) through wall mounting holes in bottom back panel.

**Note: Optional stabilizer foot braces (15) must be attached if cabinet is to be used free standing.**

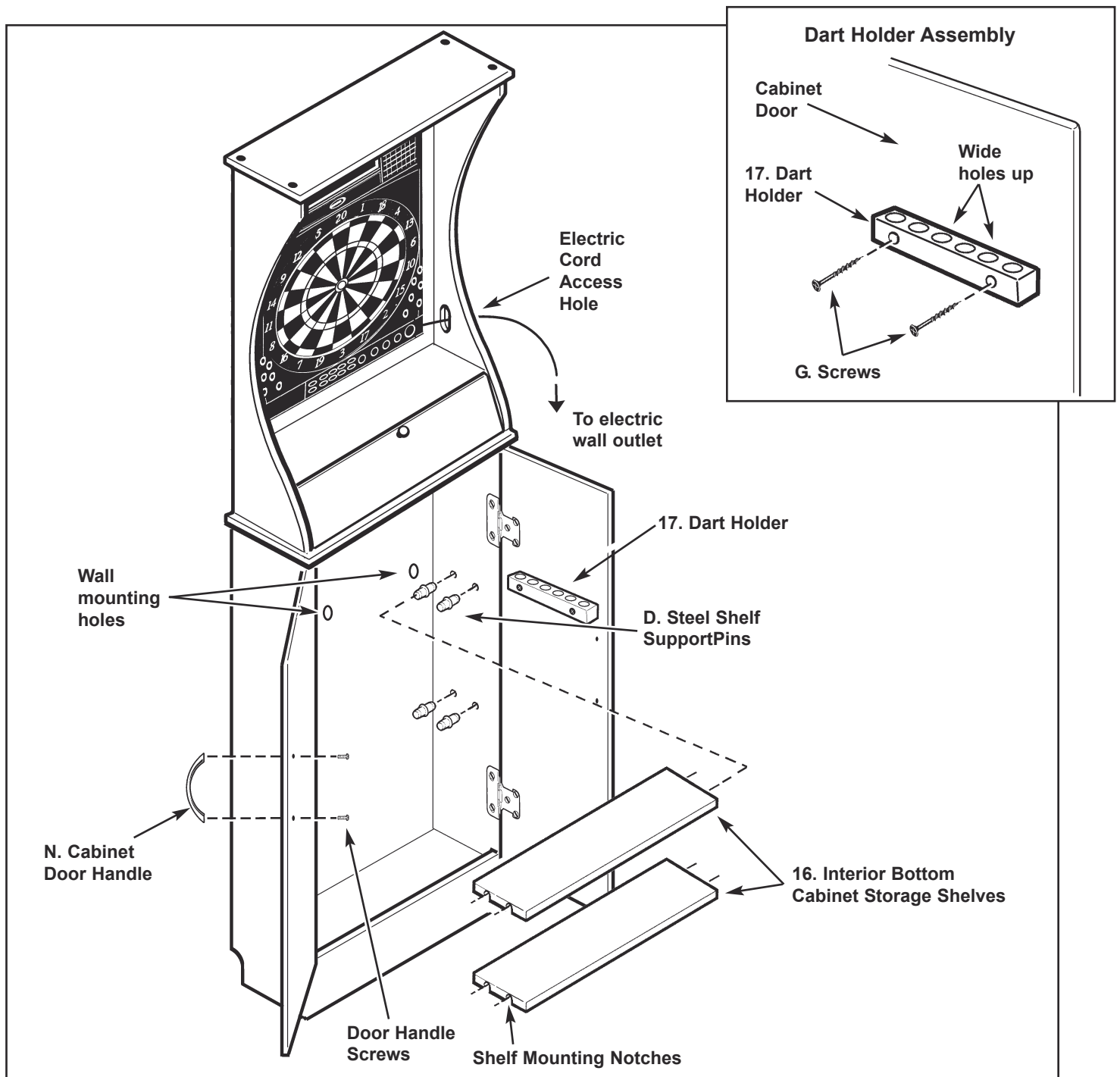
B. With cabinet doors opened, attached 2 door handles (N) using 4 panhead screws supplied with handles.

C. Insert 4 steel shelf support pins (D) into holes in each side panel (7) and (8) for shelf support.

D. Place 2 interior bottom cabinet storage shelves (16) with notched sides down onto shelf support pins. Notches should slip over pins, securing shelves in place.

E. Attach dart holders (17) to the inside of each door using 2 screws (G) as shown in detail below. Position wide holes up.

F. Close cabinet doors and check alignment of both doors. If doors are not aligned satisfactorily, loosen side panel hinge screws, re-align and re-tighten screws securely. Carefully remove tape securing tilt-down door.



## PARTS ORDER FORM

If for some reason you are missing any assembly parts for your Halex dart game, please call the Regent Sports Customer Service line at (877) 516-9707 (toll free) between the hours of 10:30 am and 6:30 pm EST or go online at [www.regent-halex.com](http://www.regent-halex.com) for parts ordering. Please refer to the REGENT SPORTS LIMITED WARRANTY concerning missing and/or defective parts.

Parts also may be ordered by filling out the form below. Please fill in all the information and return to:

**REGENT SPORTS CORP.**  
45 RANICK ROAD  
HAUPPAUGE, NEW YORK, 11788  
ATTN: CUSTOMER SERVICE

REGENT SPORTS CORP. requires that all orders for replacement parts must be paid by check, money order, VISA, or MC. Cash is not accepted. Please make all checks or money orders payable to REGENT SPORTS CORP. Please note all prices include shipping and handling.

Name of Purchaser: \_\_\_\_\_

Address: \_\_\_\_\_

City: \_\_\_\_\_

State: \_\_\_\_\_ Zip Code: \_\_\_\_\_

Phone: \_\_\_\_\_

### Electronic Dartboard Parts / Accessories

PART #	DESCRIPTION	QUANTITY	PRICE	TOTAL COST
100-64675	12 Darts with Tips		\$8.95	
100-64670	AC Adapter		\$11.95	
68750	48 Pack Soft Tips		\$5.95	
68835	Soft Tip Accessory Kit		\$9.95	
192-64395-1	Dartboard Mounting Screws		\$1.00	

Refer to next page for Parlor Cabinet Parts

## Parlor Cabinet Parts

PART #	DESCRIPTION	QUANTITY	PRICE	TOTAL COST
192-64395-1	Top Panel		\$7.50 ea.	
192-64395-2	Top Left Arched Side Panel		\$9.75 ea.	
192-64395-3	Top Right Arched Side Panel		\$9.75 ea.	
192-64395-4	Connector Panel		\$12.50 ea.	
192-64395-5	Top Section Shelf		\$7.50 ea.	
192-64395-6	Tilt-Down Door Panel		\$8.50 ea.	
192-64395-7	Bottom Left Side Panel		\$12.75 ea.	
192-64395-8	Bottom Right Side Panel		\$12.75 ea.	
192-64395-9	Anchor Block		\$3.25 ea.	
192-64395-10	Face Brace Panel		\$7.50 ea.	
192-64395-11	Cross Brace Panel		\$7.50 ea.	
192-64395-12	Bottom Cabinet Back Panel		\$18.50 ea.	
192-64395-13	Top Cabinet Back Panel		\$18.50 ea.	
192-64395-14	Left / Right Cabinet Door		\$14.50 ea.	
192-64395-15	Stabilizer Foot Brace		\$7.50 ea.	
192-64395-16	Interior Storage Shelves		\$7.50 ea.	
192-64395-17	Dart Holder		\$4.75 ea.	
192-64395-A	Panel Bolt		\$1.00 set	
192-64395-B	Barrel Nut		\$1.00 set	
192-64395-C	Dowel		\$1.00 set	
192-64395-D	Hinge pin/Shelf Support		\$1.00 set	
192-64395-E	Anchor Block Screw		\$1.00 set	
192-64395-F	Allen Head Anchor Screw		\$1.00 set	
192-64395-G	Face Brace Wood Screw		\$1.00 set	
192-64395-H	Cabinet Back Screw		\$1.00 set	
192-64395-J	Pan Head Door Hinge Screw		\$1.00 set	
192-64395-K	Stabilizing Foot Bolt		\$1.00 set	
192-64395-L	Hinge Center Screw		\$1.00 set	
192-64395-M	Nut		\$1.00 set	
192-64395-N	Cabinet Door Handle		\$4.95 ea.	
192-64395-P	Tilt Down Door Knob Metal		\$4.95 ea.	
192-64395-Q	Door Hinge		\$4.75 ea.	
192-64395-R	Allen Wrench		\$2.95 ea.	
192-64395-S	Mounting Screws for Cabinet		\$1.00 set	

Also, be sure to check out our web site at: [www.regent-halex.com](http://www.regent-halex.com)

**Also be sure to check out our web site at:**

**[www.regent-halex.com](http://www.regent-halex.com)**

• Parts Ordering • Owners Manual • Product Information



© 2002  
Regent Sports Corporation  
Hauppauge, New York