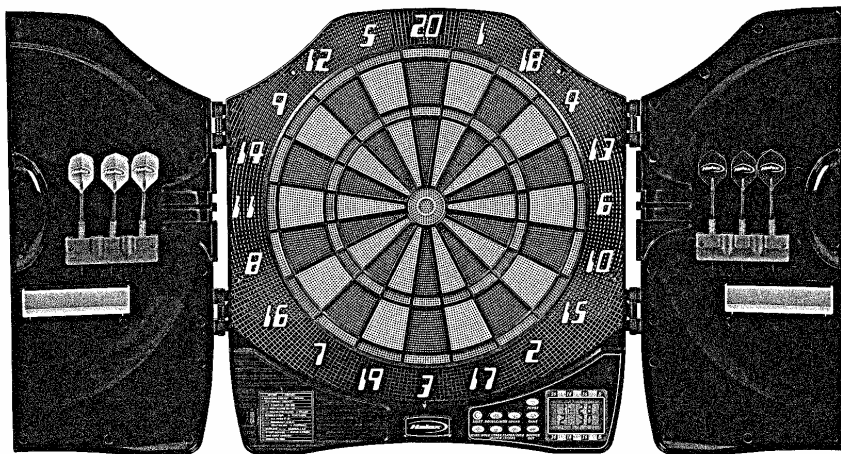


Tournament Electronic Dartboard



Tournament

Electronic dartboard with Molded Doors

**Owner's Manual
And Game Instructions**

Tournament Electronic Dartboard

2

LIMITED-1 YEAR WARRANTY

This Halex product is warranted to be free from defects in workmanship or materials at the time of purchase for a period of 1 (one) year.

Should any evidence of defects appear within the limited warranty period after the date of purchase, Regent Sports will either send replacement parts or advise another course of action. A list of replaceable parts can be found on the parts order page of this manual. Parts not listed on this order form are not replaceable. This warranty covers normal consumer use and does not cover failures, which result from alterations, accidents, misuse, abuse, or neglect.

For prompt warranty service and special offers, please register your Halex product by visiting our website at www.regent-halex.com or send in the warranty registration card provided. Please be sure to visit our website to order additional parts not covered under the warranty, as well as on-line instruction manuals and new product information.

A purchase receipt or other proof of date of purchase will be required before warranty service is performed. Requests for warranty service can be provided by e-mailing the Customer Service Department at CSDARTBOARDS@REGENT-HALEX.com or by calling customer service at:

877-516-9707 (Toll-Free)

10:30AM to 6:30 PM, EST. (Dec. through Feb.)

10:30 AM to 5:00 PM, EST. (March through November)

Or send request in writing to:

Regent Sports Corporation
45 Ranick Road
Hauppauge, NY 11788
Attn: Halex Customer Service

This warranty gives you specific legal rights and you may have other rights which vary from state to state

Unpacking the Game

Unpack your new dartboard carefully, making sure all parts are included. The following components are included in this set:

- 1 Electronic Dartboard
- 6 Darts (unassembled)
- Soft tip replacement pack
- Owner's Manual

If you are missing a part or have any questions, please email or call our Customer Service Department.

Tournament Electronic Dartboard

3

This dartboard may have a protective film over the LCD display. Film should be removed for better clarity. See page 4 for details.

Setup / Mounting Instructions

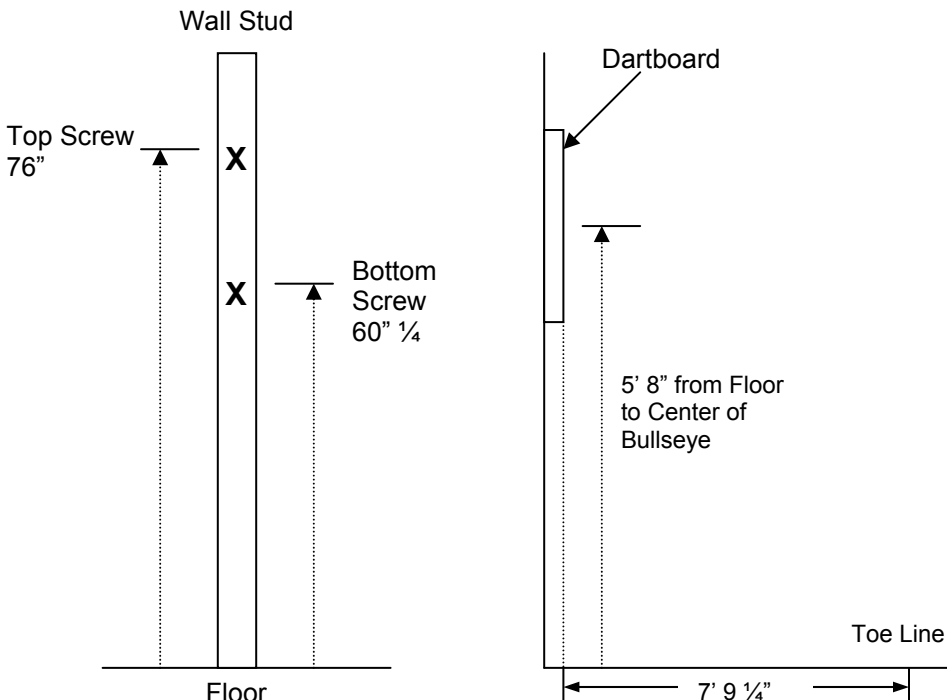
Choose a location to hang the dartboard where there is about 10 feet of open space in front of the board. The “toe-line” should be 7' 9 1/4" from the face of the dartboard. Since this dartboard is powered by 4 “AA” batteries (not included), you are not limited in having to mount it close to an electrical outlet, so it can be mounted anywhere you have the space. However, you may choose to mount it close to an electric outlet in case you decide to use the **optional** A/C adapter, which can be purchased directly from Regent Sports (See page 15 for ordering information)

Locate a wall stud and place a mark 60 1/4 " from the floor. Place another mark 15 3/4" directly above the first mark (76" from floor). **Center of Bullseye should be 5' 8" from the floor.**

Insert 2 mounting screws in the center of the stud using the marks you made as guides. Be sure the top screw is directly above bottom screw to ensure dartboard will be level.

Mount the dartboard on the wall by lining up the holes on the back with the screws. It may be necessary to adjust the screws until the board fits snugly against the wall.

Insert 4 “AA” batteries in the battery compartment on front side of dartboard (diagram inside compartment). **It is recommended you remove batteries if using the optional AC adapter.**



Tournament Electronic Dartboard

4

Dartboard Functions (see diagram on page 19)

RESET button - Cancels current score and returns to start of game.

POWER button - Press to turn game on or off. Dartboard has an automatic suspend mode to conserve power and battery life (when using batteries). The dartboard will make sound effect and display "SLEEP" on the display after approximately 3 minutes of non-use. However, the scores are stored in memory and can be restored by pressing any button.

SOUND button - Press to change volume to high, low, or off.

PLAYER/PAGE/SCORE button - This button is used at the start of each game to select the number of players you want to play the game. In addition, this button allows players to see other player scores not on active display. This dartboard keeps track of up to 4 player scoring (8 players in team play). When playing with more than 2 players, some scores will not be visible when not active. Press and hold this button to view all players' scores as needed.

DOUBLE/MISS button - This button is used for two separate functions. The **DOUBLE** function is used to activate the Double In/Double Out option during set-up for the "01" games. This function is only active when selecting 301, 401, etc. games. The **MISS** function is active during play of any game. If you wish to register a dart that misses the target area, Press the **MISS** button.

BOUNCE OUT button - Decide before play if you want to count darts that do not remain in board ("bounce-outs") or not. If you wish not to count bounce-outs toward your score, simply press the **BOUNCE OUT** button immediately after a bounce out occurs to deduct the score that registers.

START/HOLD button - This multi-function button is used to:

- **START** the game when all options have been selected.
- **CHANGE** to the next player when one player is finished with his round.
This will put dartboard in **HOLD** status between rounds to allow player to remove darts from the target area.

GAME button - Press to page through the on-screen game menu.

CYBERMATCH button - Press to activate Cybermatch feature. Refer to instructions on page 5.

Display Protective Film

This electronic dartboard *may* have a clear film over the entire display area to prevent scratching during shipping. It is recommended that this film be removed before play to enhance the display area visibility. To remove, simply lift edge and peel off, and discard.

Tournament Electronic Dartboard

5

Electronic Dartboard Operation

1. Press the **POWER** button to activate dartboard. A short musical introduction is played as the display goes through power-up test.
2. Press **GAME** buttons until desired game is displayed (see game chart on page 17).
3. Press **DOUBLE** button (optional) to select starting and/or ending on doubles (used only in 301 - 901 games). This is explained in the game rules section.
4. Press **PLAYER** button to select the number of players (1, 2, ... 8). The default setting is 2 players.
5. Press **START** button (red) to activate game and begin play.
6. Throw darts (3 per player)
 - The dart indicator display is located to the right of the score display. The number of darts displayed indicate the remaining throws for the active player.
 - When all 3 darts have been thrown, a voice command will indicate “next player” and the score will flash. The darts can now be removed without affecting the electronic scoring. When all darts are removed from the playing surface press the **START** button to go to next player. Voice command will indicate which player is up.

CyberMatch 2000 Feature

This exciting feature allows solo player to play against the computer at one of five different levels of skill – only 1 player can compete against the CyberMatch competitor. This adds a level of competition to normally routine practice sessions.

To activate the CyberMatch opponent:

1. Select the Game you wish to play
2. Press **CYBERMATCH** button
Select CyberMatch opponent skill level by pressing the **CYBERMATCH** button continually

CyberMatch Levels

Level 1	Professional
Level 2	Advanced
Level 3	Intermediate
Level 4	Novice

Tournament Electronic Dartboard

6 Level 5 Beginner

3. Press **START** to begin play

When play begins:

The 'human' player throws first. After 3 darts are thrown, go to the board to take darts out and press **START** to change to the next player (CyberMatch). Watch as the CyberMatch opponent's dart scores are registered on the display. After the CyberMatch opponent completes his round, the board will **automatically reset** for the "human" player. Play continues until one player wins. **Good luck!**

Team Play

This dartboard is equipped to score for team play. After selecting the game you want to play, press the **PLAYER** button. The default setting on this dartboard is for 2 players. When pressing the Player button, the sequence is as follows: 3 player, 4 player, T 2-2 ('4 Player'), T 3-3 ('6 player'), T 4-4 ('8 player'), 1 player, and back to 2 player. When selecting a team play option:

T 2-2 (Voice announcer will say: "4 Player")

This setup is for 2 teams to complete (4 players-2 per team). Teammates share the same score. Teams are made up with the following players:

Team 1	Players 1 and 3
Team 2	Players 2 and 4

T 3-3 (Voice announcer will say: "6 Player")

This setup is for 3 teams to complete (6 players-2 per team). Teammates share the same score. Teams are made up with the following players:

Team 1	Players 1 and 4
Team 2	Players 2 and 5
Team 3	Players 3 and 6

T 4-4 (Voice announcer will say: "8 Player")

This setup is for 4 teams to complete (8 players-2 per team). Teammates share the same score. Teams are made up with the following players:

Team 1	Players 1 and 5
Team 2	Players 2 and 6
Team 3	Players 3 and 7
Team 4	Players 4 and 8

Tournament Electronic Dartboard

7

Caring for your Electronic Dartboard

1. **Never use metal tipped darts on this dartboard.** Metal tipped darts will seriously damage the circuitry and electronic operation of this dartboard.
2. **Do not use excessive force when throwing darts.** Throwing darts too hard will cause frequent tip breakage and cause excess wear on the board.
3. **Turn darts clockwise as you pull them from the board.** This makes it easier to remove darts and extends the life of the tips.
4. In place of batteries, an optional Halex approved AC adapter (not included) may be used. **Use only a genuine Halex AC adapter (available directly from Halex) for this dartboard.** Use of a non-Halex AC adapter may cause electrical shock, fire, and damage to the electronic circuits and will void your warranty.
Adapter specifications:

Input: 120V 60Hz 9W Output: 9VDC 300mA

5. **Remove the batteries when not in use or if using the optional A/C adapter.** This will prolong the life of your batteries.
6. **Do not spill liquids on the dartboard.** Do not use spray cleaners, or cleaners that contain ammonia or other harsh chemicals as they may cause damage.

Batteries

Insert four "AA" batteries (not included) into the battery compartment located on the front of the dartboard behind the game menu. To remove the battery cover, press the latch inward while lifting gently. The batteries must be positioned as indicated inside the battery compartment to power the dartboard.

Automatic Suspend Mode Feature

The dartboard will automatically suspend if no action occurs within approximately three minutes. This is designed to save power or battery life, however, it is still active when AC power is used (with optional AC adapter). A sound effect will play and the LCD display will indicate "SLEEP". All scores will be stored in memory and play will resume when **any** button is pressed.

Tournament Electronic Dartboard

8

Game Rules

The Tournament electronic dartboard is loaded with games and options. The rules for each game are detailed below in the order they appear on the LCD display when paging through the games. The game number is indicated next to each game for your reference.

301 (G01)

This popular tournament and pub game is played by subtracting each dart from the starting total (301) until the player reaches exactly 0 (zero). If a player goes past zero it is considered a “*Bus*” and the score returns to where it was at the start of that round. For example, if a player needs a 32 to finish the game and he/she hits a 20, 8, and 10 (totals 38), the score goes back to 32 for the next round.

In playing the game, the double in / double out option can be chosen (double out is the most widely used option).

- **Double In** - A double must be hit before points are subtracted from the total. In other words, a player’s scoring does not begin until a double is hit.
- **Double Out** - A double must be hit to end the game. This means that an even number is necessary to finish the game.
- **Double In and Double Out** - A double is required to start and end scoring of the game by each player.

401 (G02) Starting number 401.

501 (G03) Starting number 501.

601 (G04) Starting number 601.

701 (G05) Starting number 701.

801 (G06) Starting number 801.

901 (G07) Starting number 901.

CRICKET (G08)

Cricket is a strategic game for accomplished players and beginners alike. Players throw for numbers best suited for them and can force opponents to throw for numbers not as suitable for them. The object of Cricket is to “close” all of the appropriate numbers before one’s opponent while racking up the highest number of points.

Only the numbers 15 through 20 and the inner/outer bullseye are used. Each player must hit a number 3 times to “open” that segment for scoring (Refer to Cricket Scoring section for explanation on how players’ marks are registered).

A player is then awarded the number of points of the “open” segment each time he/she throws a dart that lands in that segment, provided their opponent has not closed that segment. Hitting the double ring counts as two hits, and the triple ring counts as 3 hits.

Tournament Electronic Dartboard

9

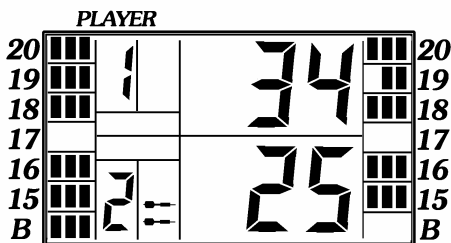
Numbers can be opened or closed in any order. A number is “closed” when the other player(s) hit the open segment 3 times. Once a number has been “closed”, any player for the remainder of the game can no longer score on it.

Winning - The side closing all the numbers first and accumulating the highest point total is the winner. If a player “closes” all numbers first but is behind in points, he/she must continue to score on the “open” numbers. If the player does not make up the point deficit before the opposing player(s) “closes” all the numbers, the opposing side wins. Play continues until all segments are closed - the winner is the player with the highest score.

Cricket Scoring Display

This dartboard utilizes a dedicated scoreboard within the LCD display that keeps track of each player’s segment status when playing Cricket. When Cricket is selected, all lights on the Cricket scoreboard will light up - there are 3 separate lights within each number (15 through 20 and bullseye). During play, one of the status lights will turn off (black will disappear) as a segment is hit. If a double or triple of an active number is hit, 2 or 3 lights will turn off respectively. Please refer to the illustration below as to the order each segment light will turn off. A Cricket Scoring Reference card has been included for your convenience.

While playing Cricket, the segment status will appear in LCD display. To view player scores, simply press the PLAYER/PAGE button. When button is released, display will revert to segment scoring status.



NO-SCORE CRICKET (G09)

Same rules as standard Cricket except there is no point scoring. The object of this version is to be the first to simply “close” all the appropriate numbers (15 through 20 and the bullseye).

SCRAM (G10) *(For 2 players only)*

This game is a variation of Cricket. The game consists of two rounds. The players have a different objective in each round. In round 1, player 1 tries to “close” (score 3 hits in each segment - 15 to 20 and bullseye). During this time, player 2 attempts to rack up as many

Tournament Electronic Dartboard

10

points in the segments that the other player has not yet closed. Once player 1 has closed all segments, round 1 is complete. In round 2, each player's roles are reversed. Now, player 2 tries to close all the segments while player 1 goes for points.

The game is over when round 2 is complete (player 2 closes all segments). The player with the highest point total is the winner.

CUT-THROAT CRICKET (G11)

Same basic rules as standard Cricket except once scoring begins, points are added to your opponent(s) total. The object of this game is to end up with the fewest points. This variation of Cricket offers a different psychology to the players. Rather than adding to your own score and helping your own cause as in standard Cricket, Cut-Throat offers the benefit of racking up points for your opponent(s), digging him in a deeper hole. Competitive players will love this variation!

COUNT-UP 300 (G12)

The object of this game is to be the first player to reach 300 points or more. Each player attempts to score as many points as possible per round. Doubles and triples count 2 or 3 times the numerical value of each segment. For example, a dart that lands in the triple 20 segment is scored as 60 points. The cumulative scores for each player will be displayed in the LCD display as the game progresses. **Additional variations of this game are listed below. The rules are the same except the number of points are required to complete the game.**

COUNT-UP 400 (G13)

COUNT-UP 500 (G14)

COUNT-UP 600 (G15)

COUNT-UP 700 (G16)

COUNT-UP 800 (G17)

COUNT-UP 900 (G18)

COUNT-UP 999 (G19)

HIGH SCORE 8r (G20)

The rules for this competitive game are simple - Rack up the most points after eight (8) rounds to win. Doubles and triples count as 2x and 3x that segment's score respectively. The player with the most points after eight rounds is the winner. **Additional variations of this game are listed below. The rules are the same except the number of rounds to complete the game.**

HIGH SCORE 4r (G21)

HIGH SCORE 5r (G22)

HIGH SCORE 6r (G23)

HIGH SCORE 7r (G24)

HIGH SCORE 8r (G25)

HIGH SCORE 9r (G26)

HIGH SCORE 10r (G27)

HIGH SCORE 11r (G28)

HIGH SCORE 12r (G29)

HIGH SCORE 13r (G30)

HIGH SCORE 14r (G31)

Tournament Electronic Dartboard

11

ROUND-THE-CLOCK Singles (G32)

Each player attempts to score in each number from 1 through 20 and bullseye **in order**. Each player throws 3 darts per turn. If a correct number is hit, he/she tries for the next number in sequence. The first player to reach 20 is the winner.

The display will indicate which segment you are shooting for. A player must continue shooting for a segment until it is hit. The display will then indicate the next segment you should shoot for.

There are variations available for this game. Each game has the same rules, the difference is the starting segment for the game:

ROUND-THE-CLOCK 5 (G33)

ROUND-THE-CLOCK 10 (G34)

ROUND-THE-CLOCK 15 (G35)

ROUND-THE-CLOCK Doubles (G36)

Same rules as Round-the-Clock Singles except player(s) must score a **Double** in each segment from 1 through 20 in order. Variations include:

ROUND-THE-CLOCK Double 5 (G37)

ROUND-THE-CLOCK Double 10 (G38)

ROUND-THE-CLOCK Double 15 (G39)

ROUND-THE-CLOCK Triples (G40)

Same rules as Round-the-Clock Singles except player(s) must score a **Triple** in each segment from 1 through 20 in order. Variations include:

ROUND-THE-CLOCK Triple 5 (G41)

ROUND-THE-CLOCK Triple 10 (G42)

ROUND-THE-CLOCK Triple 15 (G43)

KILLER (G44)

This game will really show who your friends are. The game can be played with as few as two players, but the excitement and challenge builds with even more players. To start, each player must select his number by throwing a dart at the target area. The LCD display will indicate "SEL" at this point. The number each player gets is his assigned number throughout the game. No two players can have the same number. Once each player has a number, the action starts.

Tournament Electronic Dartboard

12

Your first objective is to establish yourself as a “Killer” by hitting the double segment of your number. Once your double is hit, you are a “Killer” for the rest of the game. Now, your objective is to “kill” your opponents by hitting their double in their segment number until all

their “lives” are lost. Each player has 3 “lives.” The last player to remain with lives is declared the winner. It is not uncommon for players to “team up” and go after the better player to knock him out of the game. **Note: Hitting a double in your own segment loses one of your own lives.**

DOUBLE DOWN (G45)

Each player starts the game with 40 points. The object is to score as many hits in the active segment of the current round. The first round, the player must throw for the 15 segment. If no 15's are hit, his score is cut in half. If some 15's are hit, each 15 (doubles and triples count) is added to the starting total. The next round players throw for the 16 segment and hits are added to the new cumulative point total. Again, if no hits are registered, the point total is cut in half. The LCD display will indicate what each player should be shooting for: dob= double tri= triple

Each player throws for the numbers as indicated in the chart below in order (the LCD screen will indicate the active segment in which to throw). The player who completes the game with the most points is the winner.

	15	16	D	17	18	T	19	20	B	TOTAL
Player 1										
Player 2			↑			↑			↑	

Any Double

Any Triple

Bullseye

DOUBLE DOWN 41 (G46)

This game follows similar rules as standard Double Down as described above with two exceptions. First, instead of going from 15 through 20 and bullseye, the sequence is reversed which will be indicated on the LCD display. Second, an additional round is

included toward the end in which players must attempt to score three hits that add up to 41 points (20, 20, 1; 19, 19, 3; D10, D10, 1: etc.). This “41” round adds an extra level of difficulty to the game. Remember, a player's score is cut in half if not successful, so the “41” round presents quite a challenge!

	20	19	D	18	17	T	16	15	41	B	TOTAL
Player 1											
Player 2			↑			↑			↑	↑	

Any Double

Tournament Electronic Dartboard

13

Any Triple

'41' Round

Bullseye

ALL FIVES 51 (G47)

The entire board is in-play for this game (all segments are active). With each round (of 3 darts) each player has to score a total which is divisible by 5. Every "five" counts as one point. For example 10, 10, 5 = 25. Since 25 is divisible by 5 fives, this player scores 5 points ($5 \times 5 = 25$).

If a player throws 3 darts that are not divisible by 5, no points are given. Also, the last dart of each round must land in a segment. If a player throws the third dart and it lands in the catch ring area (or misses the board completely), he earns no points even if the first two darts are divisible by 5. This prevents a player from "tanking" the third throw if his first two are good.

The first player to total fifty-one (51) "fives" is the winner. The LCD screen will keep track of the point totals. Additional variations of this game are detailed below. The rules are the same except for the total needed to win varies as indicated by the number listed:

ALL FIVES 61 (G48)

ALL FIVES 71 (G49)

ALL FIVES 81 (G50)

ALL FIVES 91 (G51)

SHANGHAI 1 (G52)

Each player must progress around the board from 1 through 20 in order. Players start at number 1 and throw 3 darts. The object is to score the most points possible in each round of 3 darts. Doubles and triples count toward your score. The player with the highest score after completing all twenty segments is the winner.

Shanghai 5 (G53) Game starts at segment 5

Shanghai 10 (G54) Game starts at segment 10

Shanghai 15 (G55) Game starts at segment 15

GOLF 9H (G56)

This is a dartboard simulation of the game golf (but you don't need clubs to play). The object is to complete a round of 9 "holes" with the lowest score possible. The Championship "course" consists of all par 3 holes making par 27 for a nine hole round or 54 for a round of 18.

The segments 1 through 9 are used with each number representing a "hole." You must score 3 hits in each hole to move to the next hole. Obviously, double and triples affect your score as they allow you to finish a hole with fewer strokes. For example, throwing a triple on the first shot of a hole it is counted as an "eagle" and that player gets a completes that hole with 1 "stroke."

Tournament Electronic Dartboard

14

Note: The active player continues to throw darts until he “holes out” (scores 3 hits on the current hole). The voice announcer will indicate the player that is up – listen carefully to avoid shooting out of sequence. By the way, there are no “gimmes” in this game!

Tournament Electronic Dartboard

15

GOLF 18H (G57) Same rules as Golf 9H except game continues for 18 “holes”

FOOTBALL (G58)

Strap your helmet on for this game! The first thing necessary is to select each player’s “playing field.” This can be done by throwing a dart or by manually pressing a segment on the board by each player. This is entirely up to you, but whichever segment is selected becomes your starting point which carries through the bullseye and directly across to the other side of the bullseye (see diagram).

For example, if you select the 20 segment, you start on the double 20 (outer ring) and continue all the way through to the double 3. The “field” is made up of 11 individual segments and must be hit in order. So, keeping with the example above, you must throw darts in the following segments in this order:

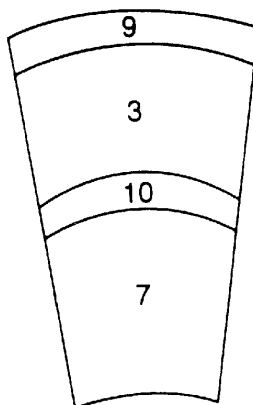
Double 20 ... Outer Single 20 ... Triple 20 ... Inner Single 20 ... Outer Bullseye ... Inner Bullseye ... Outer Bullseye ... Inner Single 3 ... Triple 3 ... Outer Single 3 ... and finally a Double 3.

The First player to “score” is the winner. The LED display will keep track of your progress and indicate the segment you need to throw for next.

BOWLING (G59)

This dartboard adaptation of bowling is a real challenge! It is a difficult game in that you must be very accurate to rack up a decent score. Player one starts the game. You must select your “alley” by either throwing dart or manually pressing segment of choice. Once alley is selected, you have 2 remaining darts to throw in which to score points or “pins.” Each specific segment in your “alley” is worth a given pin total:

<u>Segment</u>	<u>Score</u>
Double	9 pins
Outer Single	3 pins
Triple	10 pins
Inner Single	7 pins



There are several rules for this game as follows:

1. A perfect game score would be 200 in this version of bowling
2. You cannot hit the same singles segment twice within the same “frame” (round). The second hit will count as zero points. **Hint:** Try to hit each single to reach 10 points in the frame.

Tournament Electronic Dartboard

16

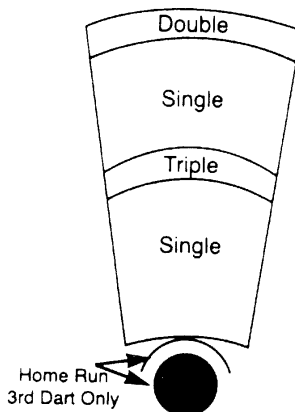
3. You can score 20 points per “frame” by hitting the triple segment twice.

Hitting the double segment with your second dart will only count as 10 points if you scored a double on your first throw. Otherwise you will score a total of 9 points by throwing a double with your second dart.

BASEBALL (G60)

This dartboard version of baseball takes a great deal of skill. Players can choose to play between 6 - 9 innings. Each player throws 3 darts per “inning.” The field is laid out as shown in the diagram.

<u>Segment</u>	<u>Result</u>
Singles segments	“Single” - one base
Doubles segment	“Double” - two bases
Triples segment	“Triple” - Three bases
Bullseye	“Home Run” (<i>can only be attempted on third dart of each round</i>)



Players must throw darts at the segments that correspond to that inning to register “hits”. For example, both players will shoot for segment 1 in inning 1 and so on throughout the game. The object of the game is to score as many runs as possible each inning. The player with the most runs at the end of the game is the winner.

BASEBALL – 9 Innings- (G61) Same rules as above except play lasts for 9 innings (rounds)

STEEPLECHASE (G62)

The object of this game is to be the first player to finish the “race” by being the first to complete the “track.” The track starts at the 20 segment and runs clockwise around the board to the 5 segment and ends with a bullseye. Sounds easy right? What has not yet been specified is that you must hit the inner single segment of each number to get through the course. This is the area between the bullseye and the triples ring. And, as with a real steeplechase, there are obstacles throughout the course to hurdle. The four hurdles are found at the following places:

- 1st fence Triple 13
- 2nd fence Triple 17
- 3rd fence Triple 8
- 4th fence Triple 5

The first player to complete the course and hit the bullseye wins the race.

Tournament Electronic Dartboard

17

SHOVE A PENNY (G63)

Only the numbers 15 through 20 and the bullseye are used. Singles are worth 1 point, doubles are worth 2, and triples are worth 3 points. Each player must throw for the numbers in order with the objective of scoring 3 points in each segment to move on to the next. If a player scores more than 3 points in any one number, the excess points are given to the next player. The first player to score 3 points in all segments (15 - 20 and bull) is the winner.

NINE-DART CENTURY (G64)

The object of this game is to attempt to score 100 points, or come as close as possible, after 3 rounds (9 darts). Doubles and triples count as 2x and 3x their value respectively. Going over 100 points is considered a "bust" and causes you to lose unless all players go over. In that case, the player closest to 100 wins (player that scored the lowest amount over 100).

GREEN VS. RED (G65)

(2 players only)

This game is a race around the board, where skill at hitting doubles and triples pays off with victory. Player 1 is "green" and player 2 is "red." Player 1 shoots for only doubles and triples that are green and works around the board clockwise. Player 2 starts at 20 and works around the board counter-clockwise, shooting for red segments (the temporary score display will indicate which segment to throw for). Note: a maximum of one double and one triple of the same number can be scored in a single round.

What's more, hitting the wrong number (of your opponent's color) **subtracts** that amount from your score - so be careful.

The player with the most points after completion of the game is the winner.

Tournament Electronic Dartboard

18

Game Menu

Game #	Description	Game #	Description
G01	301	G34	Round the clock r10 singles
G02	401	G35	Round the clock r15 singles
G03	501	G36	Round the clock 1 doubles
G04	601	G37	Round the clock 5 doubles
G05	701	G38	Round the clock 10 doubles
G06	801	G39	Round the clock 15 doubles
G07	901	G40	Round the clock 1 triples
G08	Cricket	G41	Round the clock 5 triples
G09	No-score cricket	G42	Round the clock 10 triples
G10	Scram	G43	Round the clock 15 triples
G11	Cut throat cricket	G44	Killer
G12	Count up 300	G45	Double down
G13	Count up 400	G46	Double down 41
G14	Count up 500	G47	All fives 51
G15	Count up 600	G48	All fives 61
G16	Count up 700	G49	All fives 71
G17	Count up 800	G50	All fives 81
G18	Count up 900	G51	All fives 91
G19	Count up 999	G52	Shanghai 1
G20	Hi Score (3 rounds)	G53	Shanghai 5
G21	Hi Score (4 rounds)	G54	Shanghai 10
G22	Hi Score (5 rounds)	G55	Shanghai 15
G23	Hi Score (6 rounds)	G56	Golf-9 holes
G24	Hi Score (7 rounds)	G57	Golf-18 holes
G25	Hi Score (8 rounds)	G58	Football
G26	Hi Score (9 rounds)	G59	Bowling
G27	Hi Score (10 rounds)	G60	Baseball-6 inning
G28	Hi Score (11 rounds)	G61	Baseball-9 inning
G29	Hi Score (12 rounds)	G62	Steeplechase
G30	Hi Score (13 rounds)	G63	Shove a penny
G31	Hi Score (14 rounds)	G64	Nine dart century
G32	Round the clock r1 S	G65	Green vs Red
G33	Round the clock r5 S		



Tournament Electronic Dartboard

19

Important Notes

Stuck Segment

Occasionally, a dart will cause a segment to become wedged within the segment separator web. If this happens, all play will be suspended and the LCD display will indicate the segment number that is stuck.

To free the segment, simply remove the dart or broken tip from the segment. If the problem is still not solved, try wiggling the segment until it is loose. The game will then resume where it left off.

Broken Tips

From time to time a tip will break off and become stuck in the segment. Try to remove it with a pair of pliers or tweezers by grasping the exposed end and pulling it out of the segment. If this is not possible, you can attempt to push the tip through to the back of the segment. Use a nail that is smaller than the hole and gently push the tip until it falls through the other side. Be careful not to push too far and damage the circuitry behind the segment.

Don't be alarmed if tips break. This is a normal occurrence when playing soft tip darts. We include a pack of replacement tips that should keep you supplied for quite some time. When replacing tips, make sure you use the same type of tips that come with this dartboard.

Darts

It is recommended that you do not use darts that exceed 18 grams on this dartboard. The darts included with this dartboard are 10 grams and use standard soft tips. Replacement tips are available at most retailers carrying dart products.

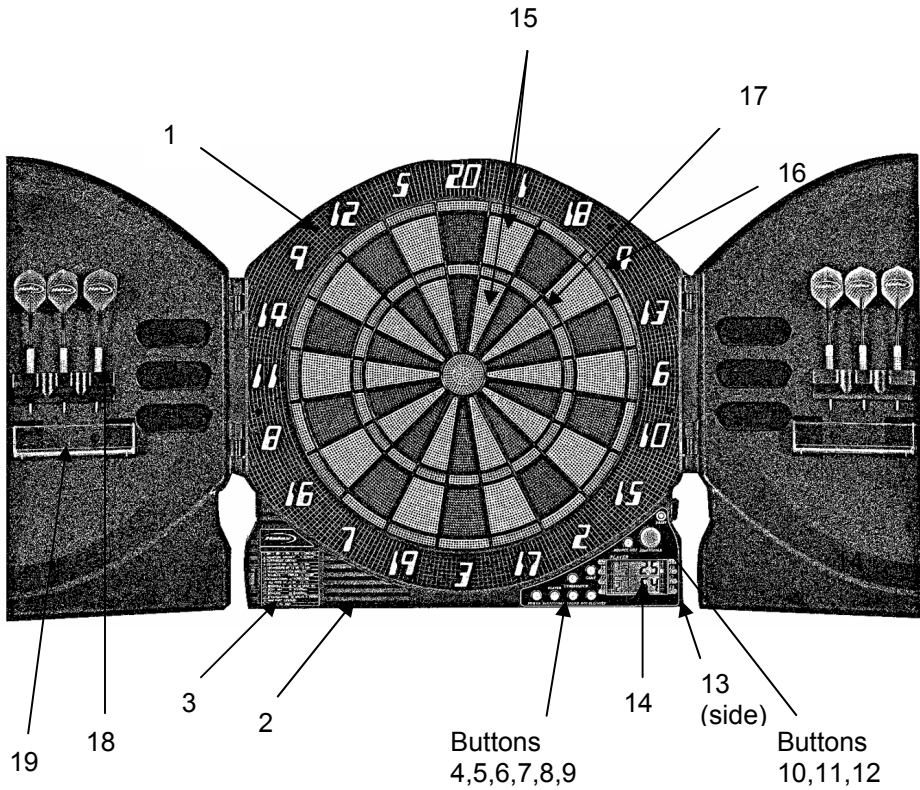
Look for Halex soft tip dart accessories for all your electronic dart needs.

Cleaning your Electronic Dartboard

Your Halex electronic dartboard will provide many hours of competition if cared for properly. Regular dusting of the cabinet is recommended using a damp cloth. A mild detergent can be used if necessary. The use of abrasive cleaners or cleaners that contain ammonia may cause damage and should not be used. Avoid spilling liquid onto the target area since it can result in permanent damage and is not covered by the warranty.

Tournament Electronic Dartboard

20



- 1. Catch Ring
- 2. Speaker
- 3. Game Menu
- 4. Power Button
- 5. Player/Page/Score Button
- 6. Sound Button
- 7. Double/MissOut Button
- 8. Cybermatch Button
- 9. Game Button (scroll up)
- 10. Bounce Out Button

- 11. Start/Hold Button
- 12. Reset Button (recessed)
- 13. Built-in Jack (for optional a/c adapter)
- 14. LCD Display
- 15. Singles Ring
- 16. Doubles Ring
- 17. Triples Ring
- 18. Dart Holders
- 19. Accessory Trays

Tournament Electronic Dartboard

21

ACCESSORIES / SPARE PARTS

<u>Item #</u>	<u>Description</u>	<u>Price</u>
100-64675	12 darts with replacement Tips	\$ 8.95
100-64635	AC Adapter	\$11.95
68950	Aluminum Shafts (3 pack)	\$ 4.50
68900	Polyester Shafts (3 pack)	\$ 3.50
68835	Deluxe Soft Tip Accessory Kit	\$ 9.95
68750	48-pack replacement tips	\$ 5.95
68670	Metallic Flights (3 pack). Assorted Styles	\$ 3.50

Prices include shipping and handling.

To place order:

MasterCard/Visa

Call Halex Customer Service Line at 877-516-9707 (Toll Free) and specify item number. Have your credit card number ready when you place call.

For fastest service, place your order on our website at

www.regent-halex.com

Mail

Make check or money order payable to: **Regent Sports Corporation** and send to the following address:

45 Ranick Road
Hauppauge, NY 11788
Attn: Customer Service

Please do not send cash. Be sure to indicate item # on check.

Also, be sure to check out our web site at:

www.regent-halex.com

- Parts ordering
- Product Registration
- Product Information

